

FEATURES/CARATTERISTICHE

Pump HVL/Pompa HVL: Vertical centrifugal with coupling
Verticale centrifuga con lanterna

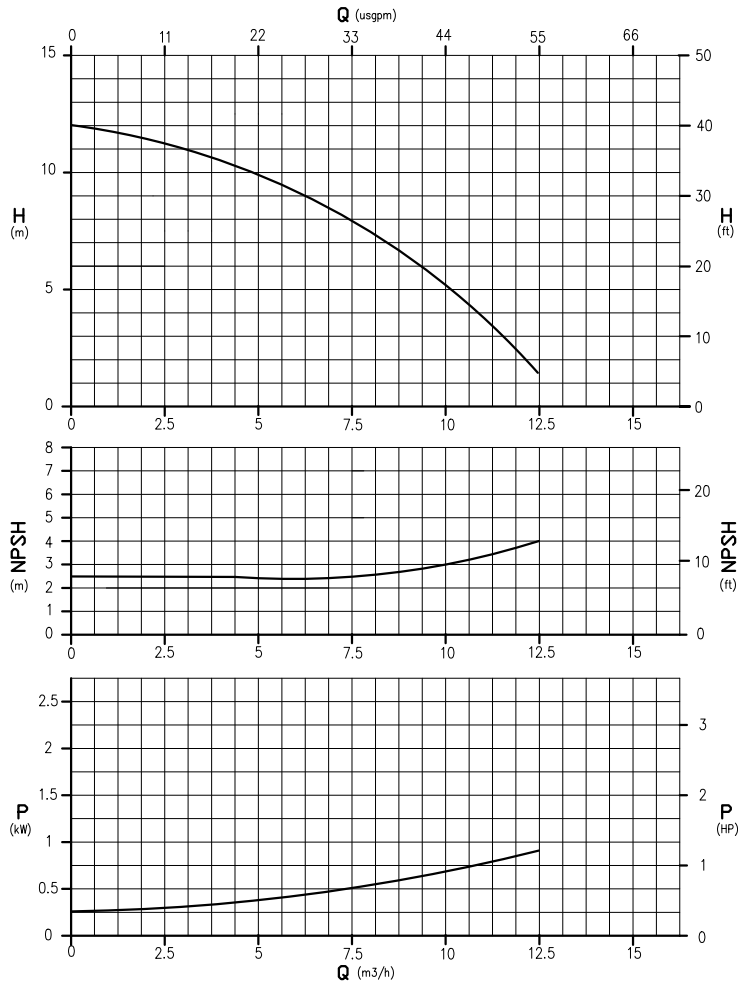
Materials available/Materiali disponibili: PP-PVDF

Max flow/Portata massima: 12 m³/h

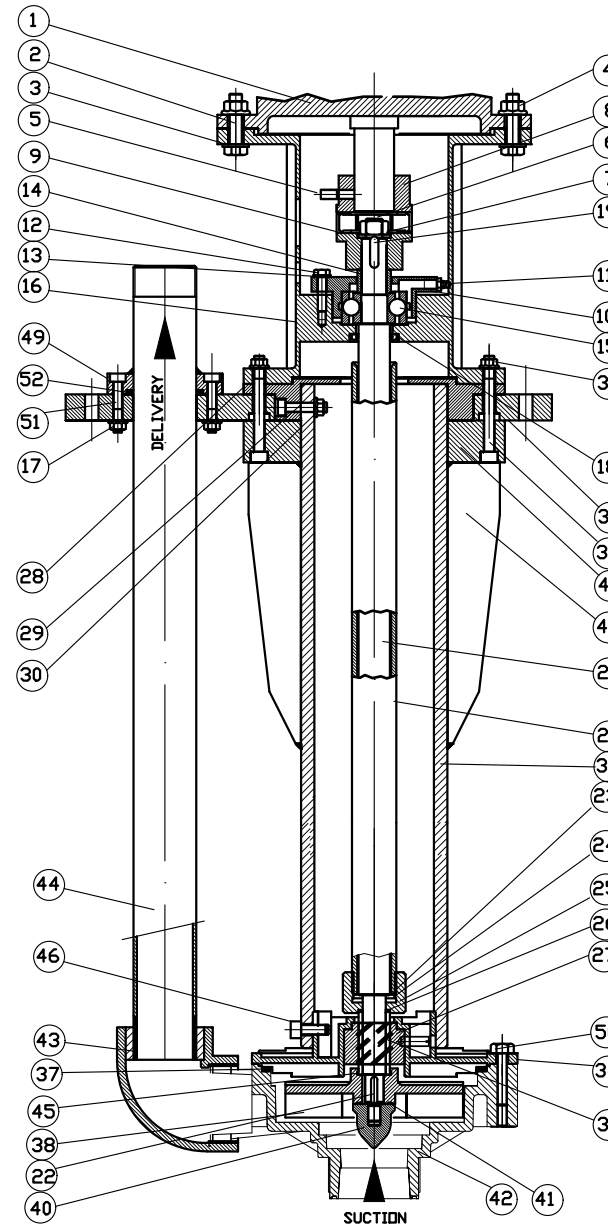
Max head/Prevalenza massima: 12 m

Max temperature/Temperatura massima: PP 60°C/PVDF 90°C

CURVES/CURVE 50HZ-2900 RPM



SECTION AND PARTS LIST/SEZIONE E LISTA PARTI

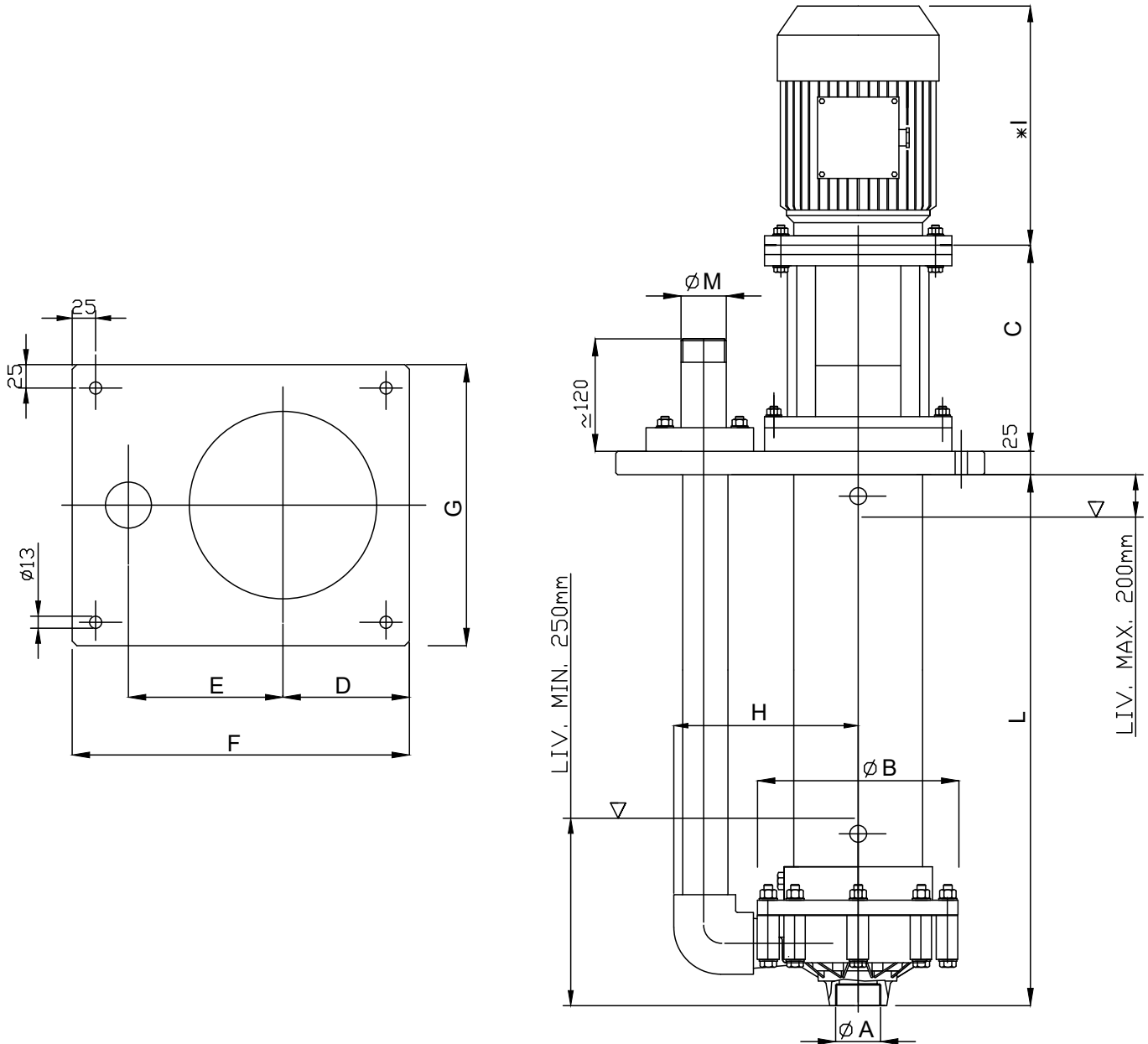


POS.	DESCR.	MAT.
1	Motor	
2	Screw	A2 (AISI 304)
3	Washer	A2 (AISI 304)
4	Nut	A2 (AISI 304)
5	Screw	A2 (AISI 304)
6	Nut	A2 (AISI 304)
7	Washer	A2 (AISI 304)
8	Motor joint	CAST IRON
9	Pump joint	CAST IRON
10	Cover	ALL.
11	Lubrif. nipple	BRASS
12	Screw	A2 (AISI 304)
13	Washer	A2 (AISI 304)
14	Spacer	C40
15	Bearing	
16	Bracket	ALL.
17	Nut	A2 (AISI 304)
18	Seal ring	NBR
19	Key	A2 (AISI 304)
20	Shaft	C40
21	Shaft covering	PP/PVDF
22	Key	A2 (AISI 304)
23	Washer	A2 (AISI 304)
24	Washer	A2 (AISI 304)
25	Guide shaft cov.	PP/PVDF
26	O-ring	EDPM/VITON
27	Bushing	PTFEC
28	Upper support	PP
29	Screw	A2 (AISI 304)
30	Nut	A2 (AISI 304)
31	Plate	PP
32	Screw	A2 (AISI 304)
33	Column	PP/PVDF
34	Cover	PP+GF/PVDF+CF
35	Wear bushing	Al203
37	O-ring	EDPM/VITON
38	Impeller	PP+GF/PVDF+CF
*40	Nut	PP+GF/PVDF+CF
41	O-ring	EDPM/VITON
42	Pump head	PP+GF/PVDF+CF
43	Elbow	PP/PVDF
44	Flow pipe	PP/PVDF
45	O-ring	EDPM/VITON
46	Screw	PVDF
*47	Reinforced wing	PP/PVDF
*48	Flange	PP/PVDF
49	Flange	PP
50	Screw	PVDF
51	Screw	A2 (AISI 304)
52	O-ring	EDPM/VITON

* FOR PUMPS DEPTH OVER 1250mm

** NUT WITH BRASS INSERT COVERED WITH PP/PVDF

DIMENSIONS/DIMENSIONI D'INGOMBRO



PUMP TYPE	MOTOR FLANGE B5	POT. Kw	DIMENSIONS - mm -										L
			Ø A	Ø M	Ø B	C	D	E	F	G	H	* I	
HVL 95	G 80 2A	0.75	2" FEMALE	1 1/2" MALE	215	210	135	165	360	300	196	215	A RICHIESTA DA 500 A 2000mm ON REQUEST FROM 500 TO 2000mm

* Different according to the manufacturer / Diverso a seconda del fornitore

FEATURES/CARATTERISTICHE

Pump HVL/Pompa HVL: Vertical centrifugal with coupling
Verticale centrifuga con lanterna

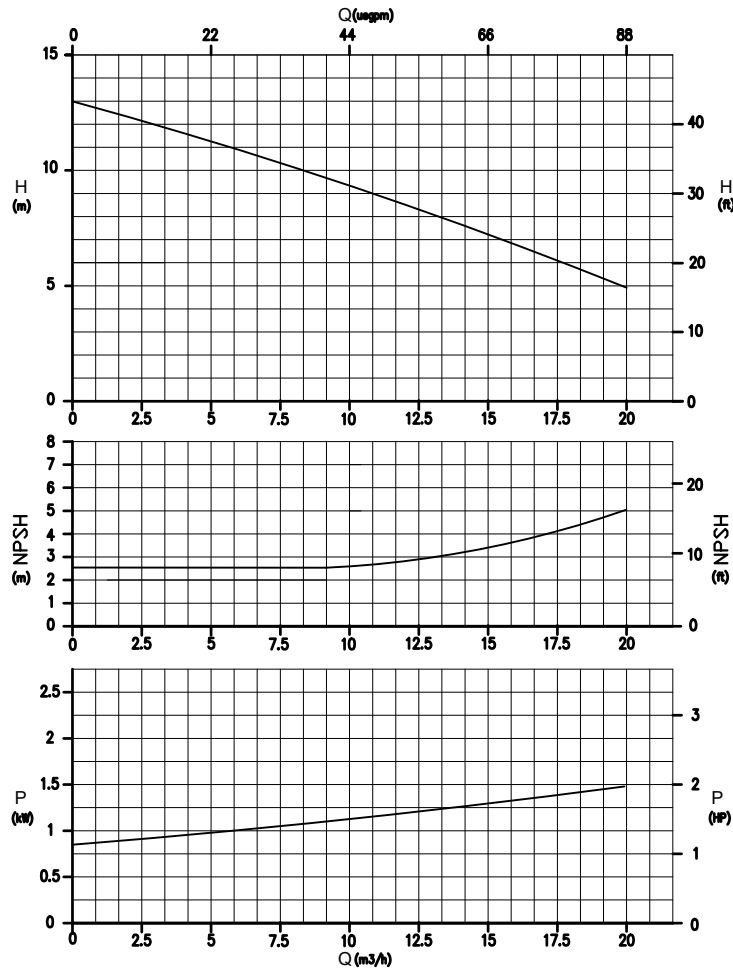
Materials available/Materiali disponibili: PP-PVDF

Max flow/Portata massima: 20 m³/h

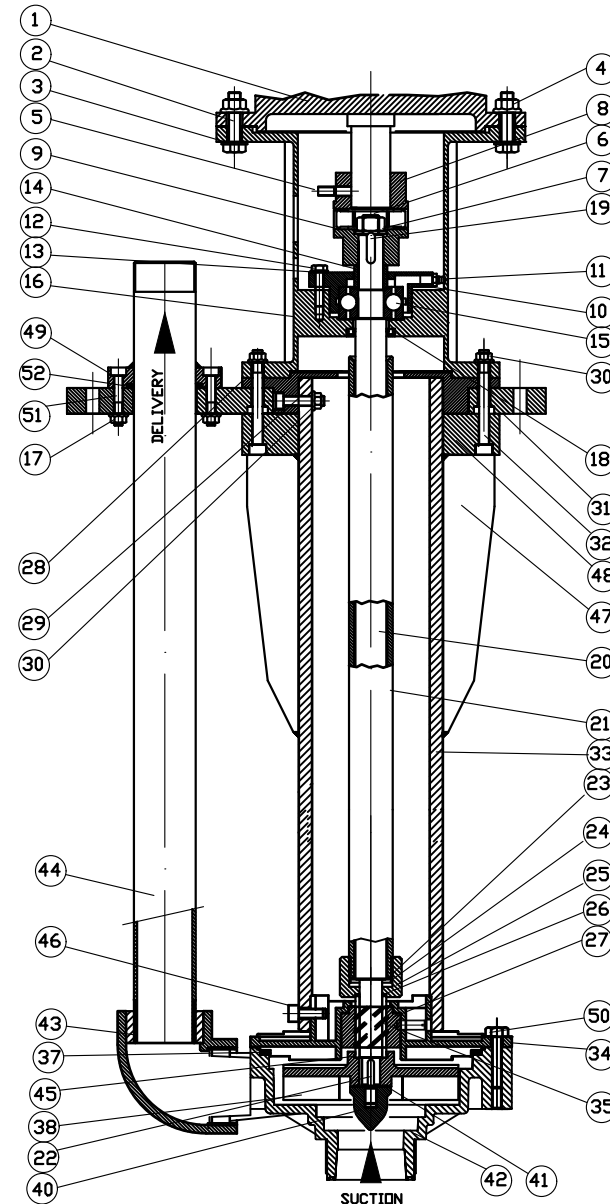
Max head/Prevalenza massima: 13 m

Max temperature/Temperatura massima: PP 60°C/PVDF 90°C

CURVES/CURVE 50HZ-2900 RPM



SECTION AND PARTS LIST/SEZIONE E LISTA PARTI

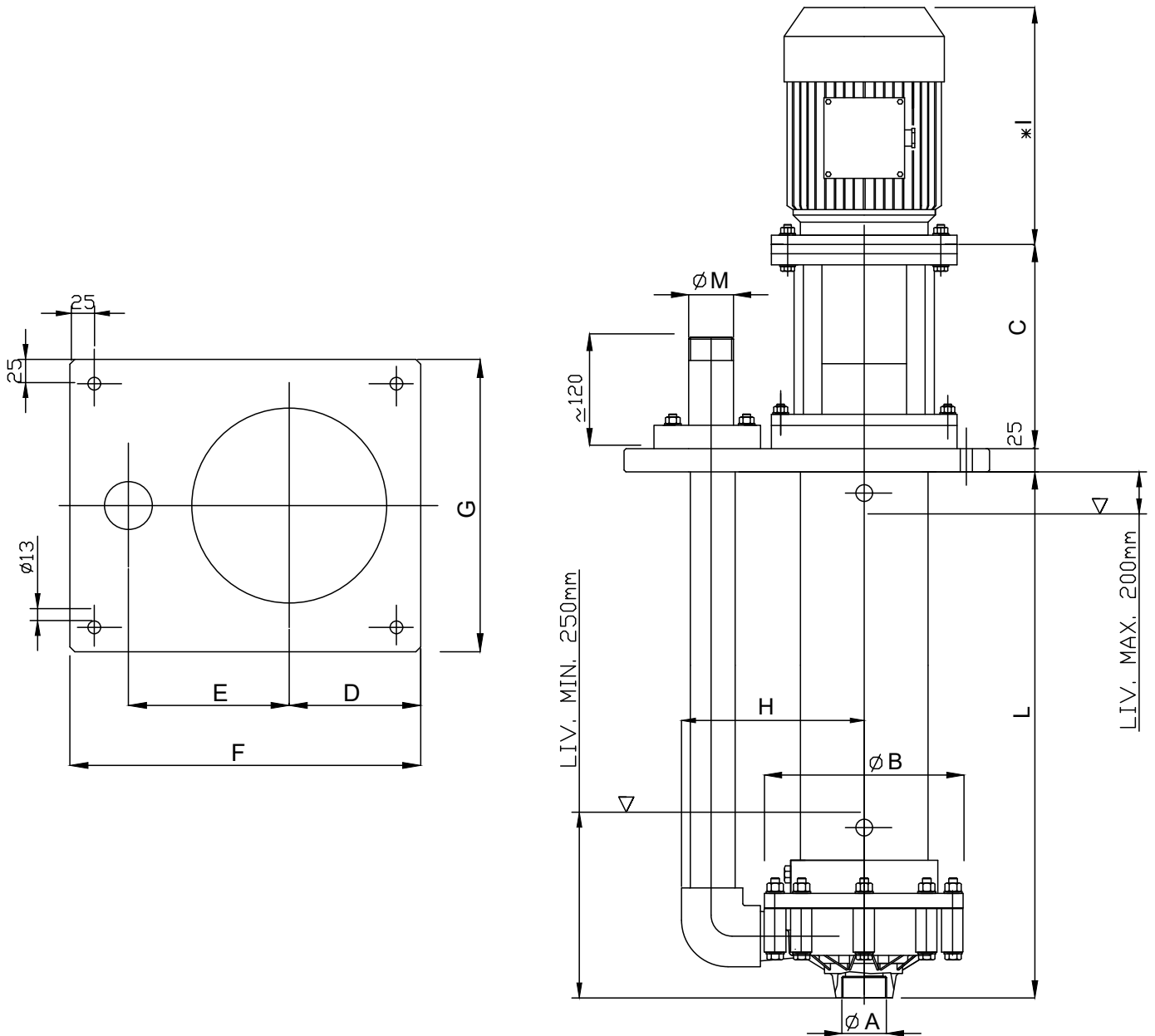


PDS	DESCR.	MAT.
1	Motor	
2	Screw	A2 (AISI 304)
3	Washer	A2 (AISI 304)
4	Nut	A2 (AISI 304)
5	Screw	A2 (AISI 304)
6	Nut	A2 (AISI 304)
7	Washer	A2 (AISI 304)
8	Motor joint	CAST IRON
9	Pump joint	CAST IRON
10	Cover	ALL.
11	Lubrif. nipple	BRASS
12	Screw	A2 (AISI 304)
13	Washer	A2 (AISI 304)
14	Spacer	C40
15	Bearing	
16	Bracket	ALL.
17	Nut	A2 (AISI 304)
18	Seal ring	NBR
19	Key	A2 (AISI 304)
20	Shaft	C40
21	Shaft covering	PP/PVDF
22	Key	A2 (AISI 304)
23	Washer	A2 (AISI 304)
24	Washer	A2 (AISI 304)
25	Guide shaft cov.	PP/PVDF
26	O-ring	EDPM/VITON
27	Bushing	PTFEC
28	Upper support	PP
29	Screw	A2 (AISI 304)
30	Nut	A2 (AISI 304)
31	Plate	PP
32	Screw	A2 (AISI 304)
33	Column	PP/PVDF
34	Cover	PP+GF/PVDF+CF
35	Wear bushing	Al203
37	O-ring	EDPM/VITON
38	Impeller	PP+GF/PVDF+CF
40	Nut	PP+GF/PVDF+CF
41	O-ring	EDPM/VITON
42	Pump head	PP+GF/PVDF+CF
43	Elbow	PP/PVDF
44	Flow pipe	PP/PVDF
45	O-ring	EDPM/VITON
46	Screw	PVDF
47	Reinforced wing	PP/PVDF
48	Flange	PP/PVDF
49	Flange	PP
50	Screw	PVDF
51	Screw	A2 (AISI 304)
52	O-ring	EDPM/VITON

FOR PUMPS DEPTH OVER 1250mm

NUT WITH BRASS INSERT COVERED WITH PP/PVDF

DIMENSIONS/DIMENSIONI D'INGOMBRO



PUMP TYPE	MOTOR FLANGE B5	POT. Kw	DIMENSIONS - mm -										
			ø A	ø M	ø B	C	D	E	F	G	H	* I	L
HVL 110	G 80 2B	1.1	2" FEMALE	1 1/2" MALE	215	210	135	165	360	300	196	230	A RICHIESTA DA 500 A 2000mm ON REQUEST FROM 500 TO 2000mm

* Different according to the manufacturer / Diverso a seconda del fornitore

FEATURES/CARATTERISTICHE

Pump HVL/Pompa HVL: Vertical centrifugal with coupling
Verticale centrifuga con lanterna

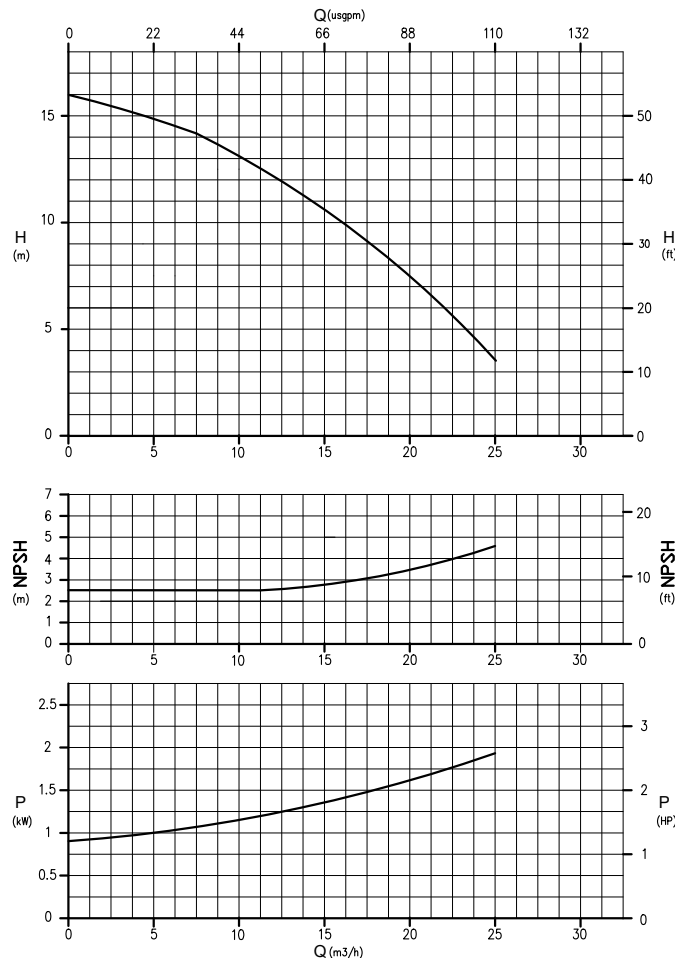
Materials available/Materiali disponibili: PP-PVDF

Max flow/Portata massima: 25 m³/h

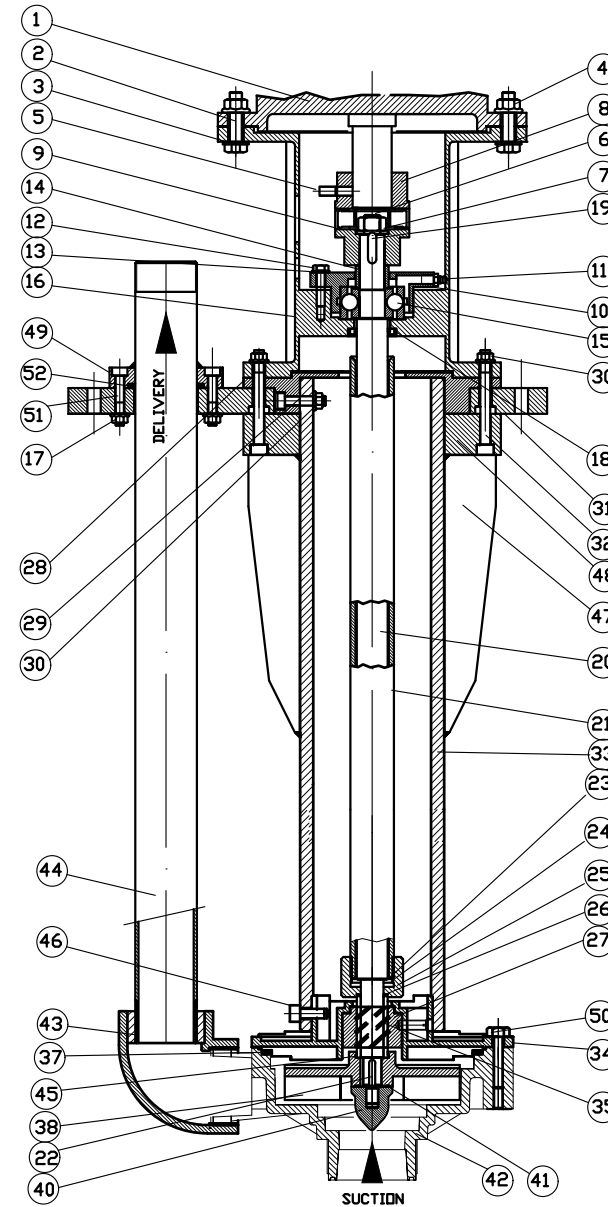
Max head/Prevalenza massima: 16 m

Max temperature/Temperatura massima: PP 60°C/PVDF 90°C

CURVES/CURVE 50HZ-2900 RPM



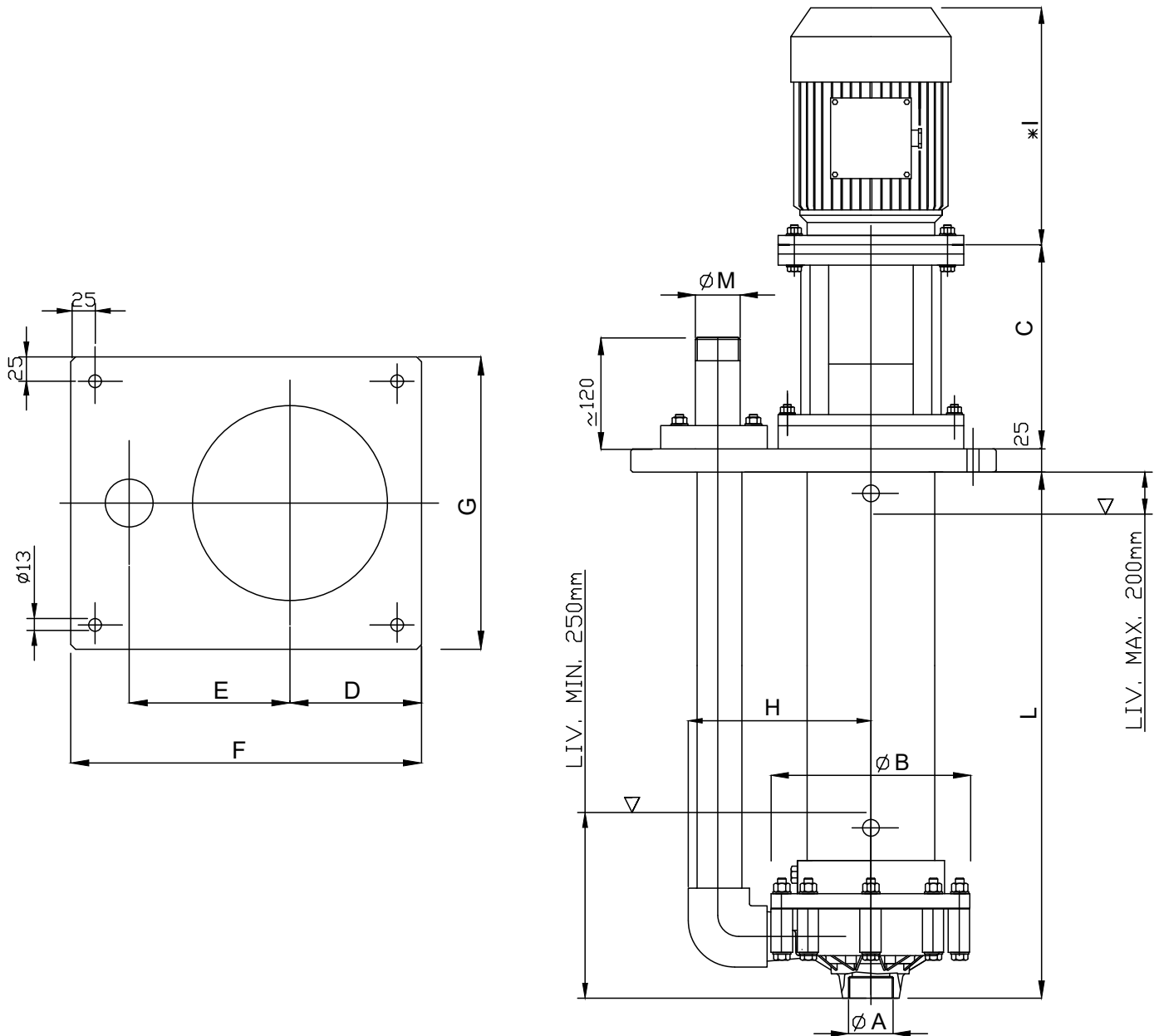
SECTION AND PARTS LIST/SEZIONE E LISTA PARTI



PDS	DESCR.	MAT.
1	Motor	
2	Screw	A2 (AISI 304)
3	Washer	A2 (AISI 304)
4	Nut	A2 (AISI 304)
5	Screw	A2 (AISI 304)
6	Nut	A2 (AISI 304)
7	Washer	A2 (AISI 304)
8	Motor Joint	CAST IRON
9	Pump Joint	CAST IRON
10	Cover	ALL.
11	Lubrif. nipple	BRASS
12	Screw	A2 (AISI 304)
13	Washer	A2 (AISI 304)
14	Spacer	C40
15	Bearing	
16	Bracket	ALL.
17	Nut	A2 (AISI 304)
18	Seal ring	NBR
19	Key	A2 (AISI 304)
20	Shaft	C40
21	Shaft covering	PP/PVDF
22	Key	A2 (AISI 304)
23	Washer	A2 (AISI 304)
24	Washer	A2 (AISI 304)
25	Guide shaft cov.	PP/PVDF
26	O-ring	EDPM/VITON
27	Bushing	PTFEC
28	Upper support	PP
29	Screw	A2 (AISI 304)
30	Nut	A2 (AISI 304)
31	Plate	PP
32	Screw	A2 (AISI 304)
33	Column	PP/PVDF
34	Cover	PP+GF/PVDF+CF
35	Wear bushing	Al203
37	O-ring	EDPM/VITON
38	Impeller	PP+GF/PVDF+CF
*40	Nut	PP+GF/PVDF+CF
41	O-ring	EDPM/VITON
42	Pump head	PP+GF/PVDF+CF
43	Elbow	PP/PVDF
44	Flow pipe	PP/PVDF
45	O-ring	EDPM/VITON
46	Screw	PVDF
*47	Reinforced wing	PP/PVDF
*48	Flange	PP/PVDF
49	Flange	PP
50	Screw	PVDF
51	Screw	A2 (AISI 304)
52	O-ring	EDPM/VITON

* FOR PUMPS DEPTH OVER 1250mm
* NUT WITH BRASS INSERT COVERED WITH PP/PVDF

DIMENSIONS/DIMENSIONI D'INGOMBRO



PUMP TYPE	MOTOR FLANGE B5	POT. Kw	DIMENSIONS - mm -										
			Ø A	Ø M	Ø B	C	D	E	F	G	H	* I	L
HVL 120	G 90 S	1.5	2" FEMALE	1"1/2" MALE	215	220	135	165	360	300	196	255	A RICHIESTA DA 500 A 2000mm ON REQUEST FROM 500 TO 2000mm

* Different according to the manufacturer / Diverso a seconda del fornitore

FEATURES/CARATTERISTICHE

Pump HVL/Pompa HVL: Vertical centrifugal with coupling
Verticale centrifuga con lanterna

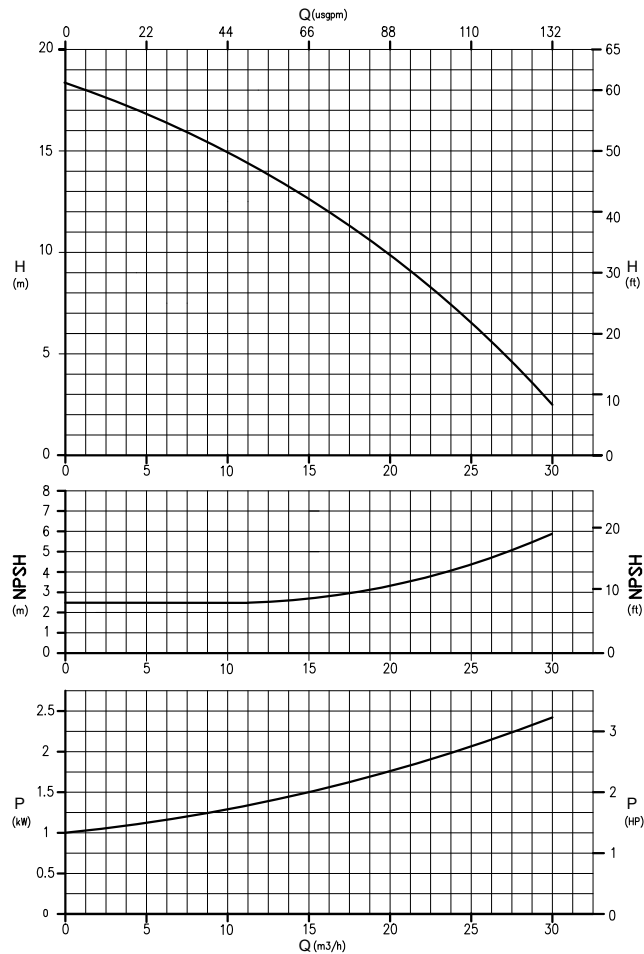
Materials available/Materiali disponibili: PP-PVDF

Max flow/Portata massima: 30 m³/h

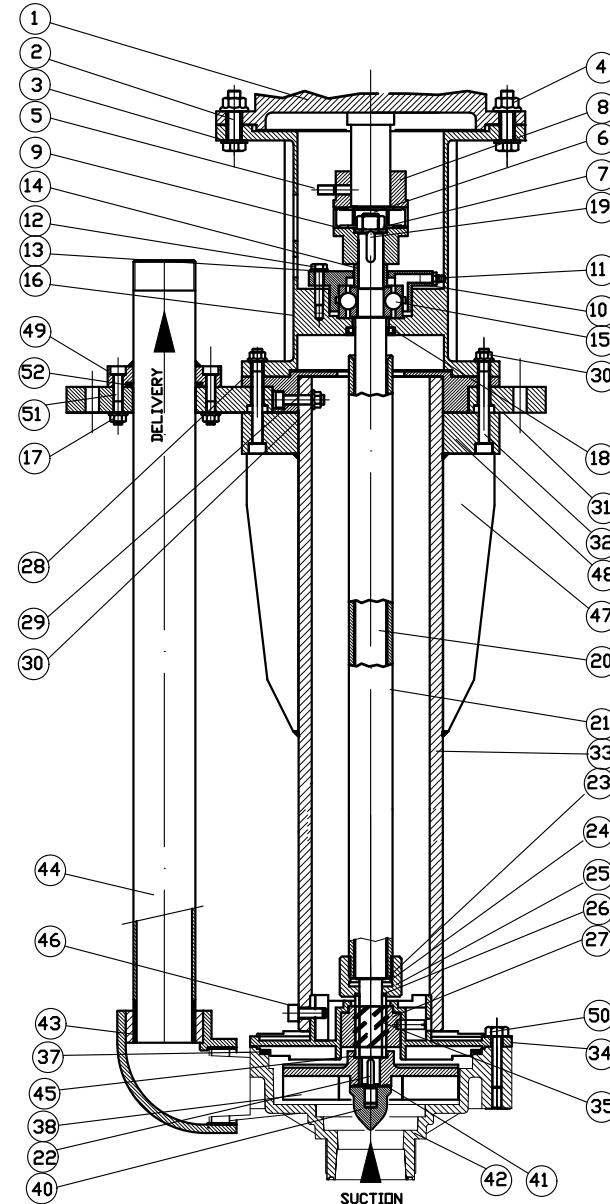
Max head/Prevalenza massima: 18 m

Max temperature/Temperatura massima: PP 60°C/PVDF 90°C

CURVES/CURVE 50HZ-2900 RPM



SECTION AND PARTS LIST/SEZIONE E LISTA PARTI

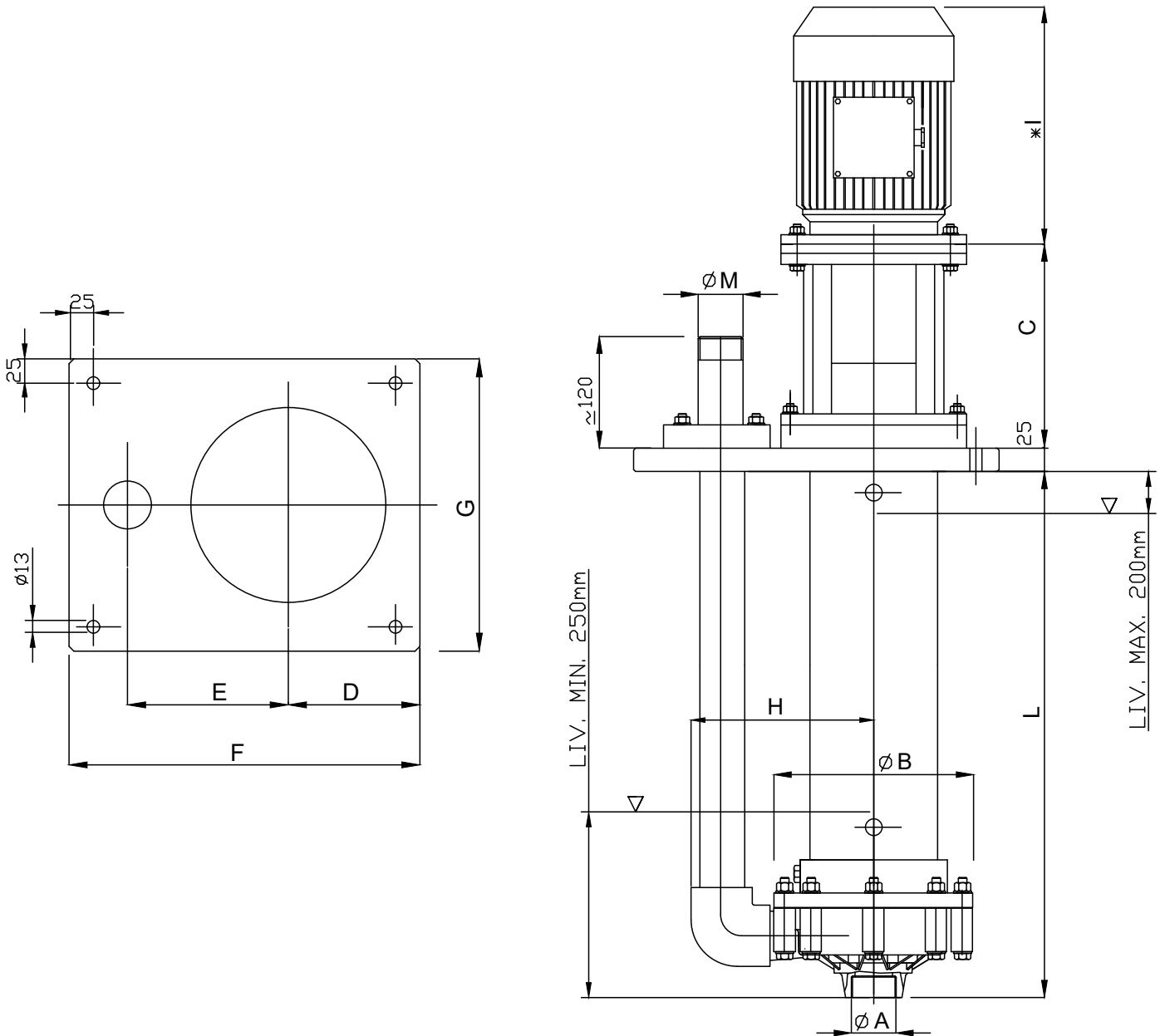


PDS	DESCR.	MAT.
1	Motor	
2	Screw	A2 (AISI 304)
3	Washer	A2 (AISI 304)
4	Nut	A2 (AISI 304)
5	Screw	A2 (AISI 304)
6	Nut	A2 (AISI 304)
7	Washer	A2 (AISI 304)
8	Motor joint	CAST IRON
9	Pump joint	CAST IRON
10	Cover	ALL.
11	Lubrif. nipple	BRASS
12	Screw	A2 (AISI 304)
13	Washer	A2 (AISI 304)
14	Spacer	C40
15	Bearing	
16	Bracket	ALL.
17	Nut	A2 (AISI 304)
18	Seal ring	NBR
19	Key	A2 (AISI 304)
20	Shaft	C40
21	Shaft covering	PP/PVDF
22	Key	A2 (AISI 304)
23	Washer	A2 (AISI 304)
24	Washer	A2 (AISI 304)
25	Guide shaft cov.	PP/PVDF
26	O-ring	EDPM/VITON
27	Bushing	PTFEC
28	Upper support	PP
29	Screw	A2 (AISI 304)
30	Nut	A2 (AISI 304)
31	Plate	PP
32	Screw	A2 (AISI 304)
33	Column	PP/PVDF
34	Cover	PP+GF/PVDF+CF
35	Wear bushing	Al203
37	O-ring	EDPM/VITON
38	Impeller	PP+GF/PVDF+CF
*40	Nut	PP+GF/PVDF+CF
41	O-ring	EDPM/VITON
42	Pump head	PP+GF/PVDF+CF
43	Elbow	PP/PVDF
44	Flow pipe	PP/PVDF
45	O-ring	EDPM/VITON
46	Screw	PVDF
47	Reinforced wing	PP/PVDF
*48	Flange	PP/PVDF
49	Flange	PP
50	Screw	PVDF
51	Screw	A2 (AISI 304)
52	O-ring	EDPM/VITON

* FOR PUMPS DEPTH OVER 1250mm

** NUT WITH BRASS INSERT COVERED WITH PP/PVDF

DIMENSIONS/DIMENSIONI D'INGOMBRO



PUMP TYPE	MOTOR FLANGE B5	POT. Kw	DIMENSIONS - mm -										
			Ø A	Ø M	Ø B	C	D	E	F	G	H	* I	L
HVL 130	G 90 L	2.2	2" FEMALE	1 1/2" MALE	215	220	135	165	360	300	196	280	A RICHIESTA DA 500 A 2000mm ON REQUEST FROM 500 TO 2000mm

* Different according to the manufacturer / Diverso a seconda del fornitore

FEATURES/CARATTERISTICHE

Pump HVL/Pompa HVL: Vertical centrifugal with coupling
Verticale centrifuga con lanterna

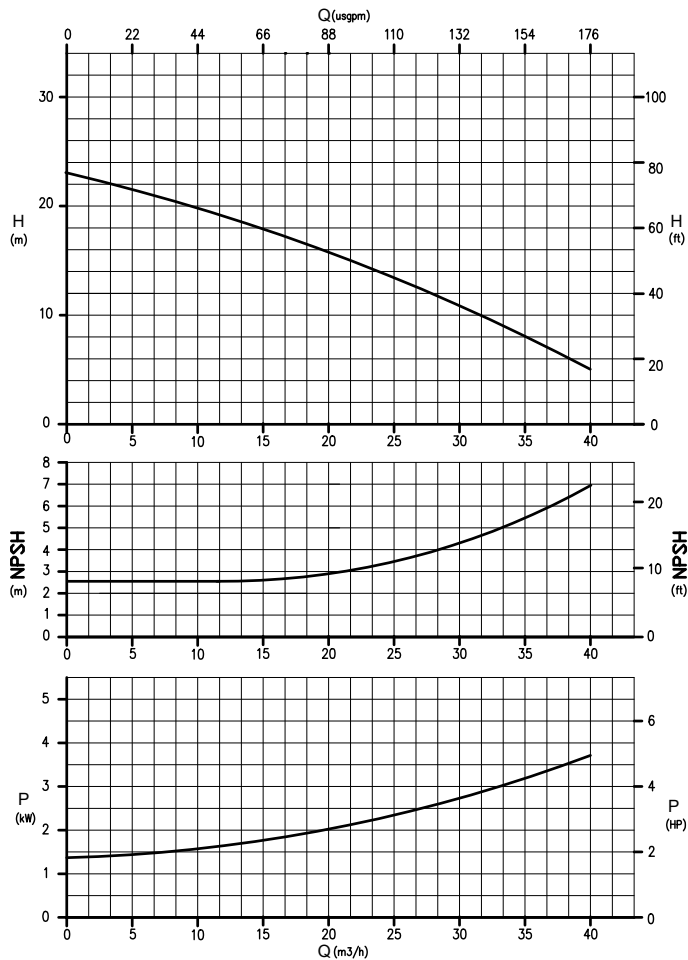
Materials available/Materiali disponibili: PP-PVDF

Max flow/Portata massima: 40 m³/h

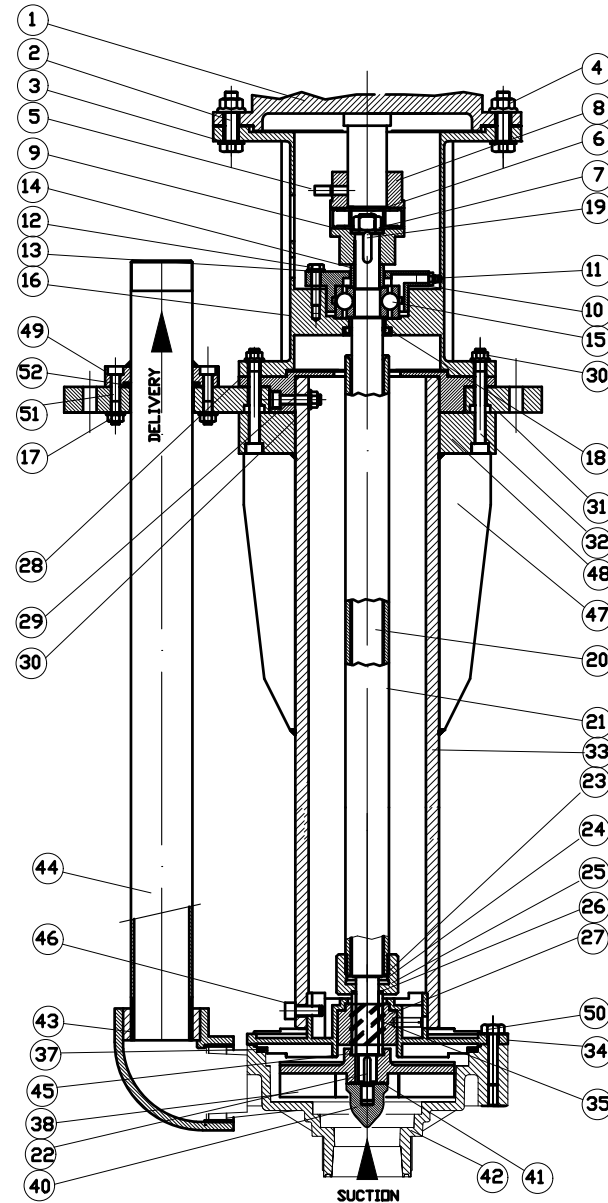
Max head/Prevalenza massima: 22m

Max temperature/Temperatura massima: PP 60°C/PVDF 90°C

CURVES/CURVE 50HZ-2900 RPM



SECTION AND PARTS LIST/SEZIONE E LISTA PARTI



PQS	DESCR.	MAT.
1	Motor	
2	Screw	A2 (AISI 304)
3	Washer	A2 (AISI 304)
4	Nut	A2 (AISI 304)
5	Screw	A2 (AISI 304)
6	Nut	A2 (AISI 304)
7	Washer	A2 (AISI 304)
8	Motor joint	CAST IRON
9	Pump joint	CAST IRON
10	Cover	ALL.
11	Lubrif. nipple	BRASS
12	Screw	A2 (AISI 304)
13	Washer	A2 (AISI 304)
14	Spacer	C40
15	Bearing	
16	Bracket	ALL.
17	Nut	A2 (AISI 304)
18	Seal ring	NBR
19	Key	A2 (AISI 304)
20	Shaft	C40
21	Shaft covering	PP/PVDF
22	Key	A2 (AISI 304)
23	Washer	A2 (AISI 304)
24	Washer	A2 (AISI 304)
25	Guide shaft cov.	PP/PVDF
26	O-ring	EDPM/VITON
27	Bushing	PTFEC
28	Upper support	PP
29	Screw	A2 (AISI 304)
30	Nut	A2 (AISI 304)
31	Plate	PP
32	Screw	A2 (AISI 304)
33	Column	PP/PVDF
34	Cover	PP+GF/PVDF+CF
35	Wear bushing	Al2O3
37	O-ring	EDPM/VITON
38	Impeller	PP+GF/PVDF+CF
* 40	Nut	PP+GF/PVDF+CF
41	O-ring	EDPM/VITON
42	Pump head	PP+GF/PVDF+CF
43	Elbow	PP/PVDF
44	Flow pipe	PP/PVDF
45	O-ring	EDPM/VITON
46	Screw	PVDF
47	Reinforced wing	PP/PVDF
* 48	Flange	PP/PVDF
49	Flange	PP
50	Screw	PVDF
51	Screw	A2 (AISI 304)
52	O-ring	EDPM/VITON

* FOR PUMPS DEPTH OVER 1250mm

* NUT WITH BRASS INSERT COVERED WITH PP/PVDF

FEATURES/CARATTERISTICHE

Pump HVL/Pompa HVL: Vertical centrifugal with coupling
Verticale centrifuga con lanterna

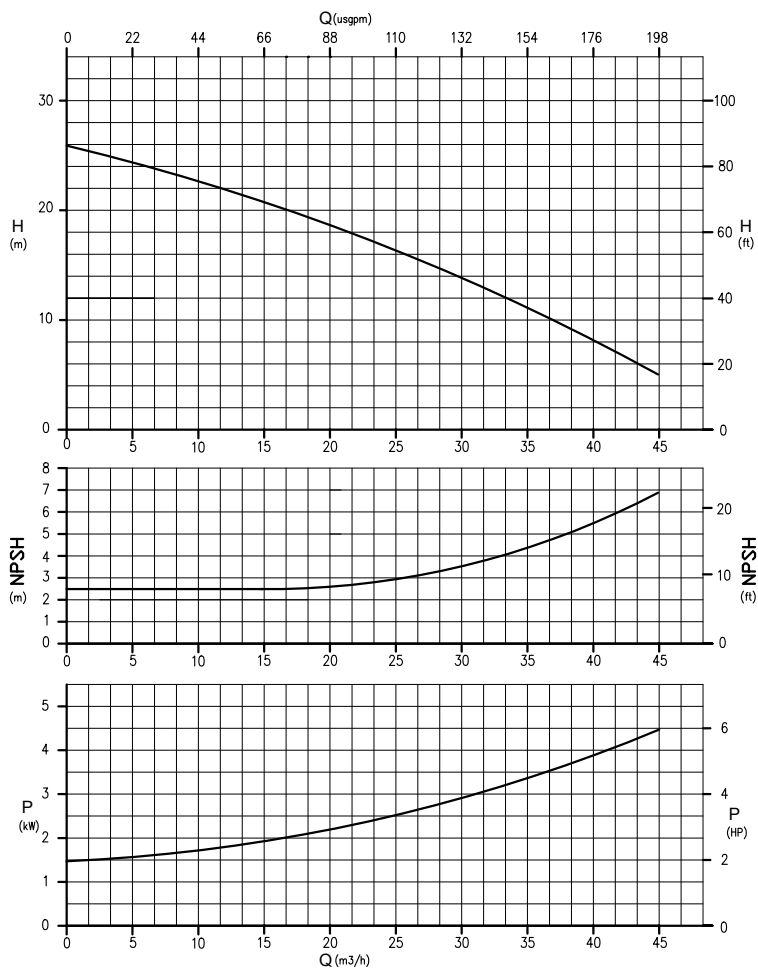
Materials available/Materiali disponibili: PP-PVDF

Max flow/Portata massima: 45 m³/h

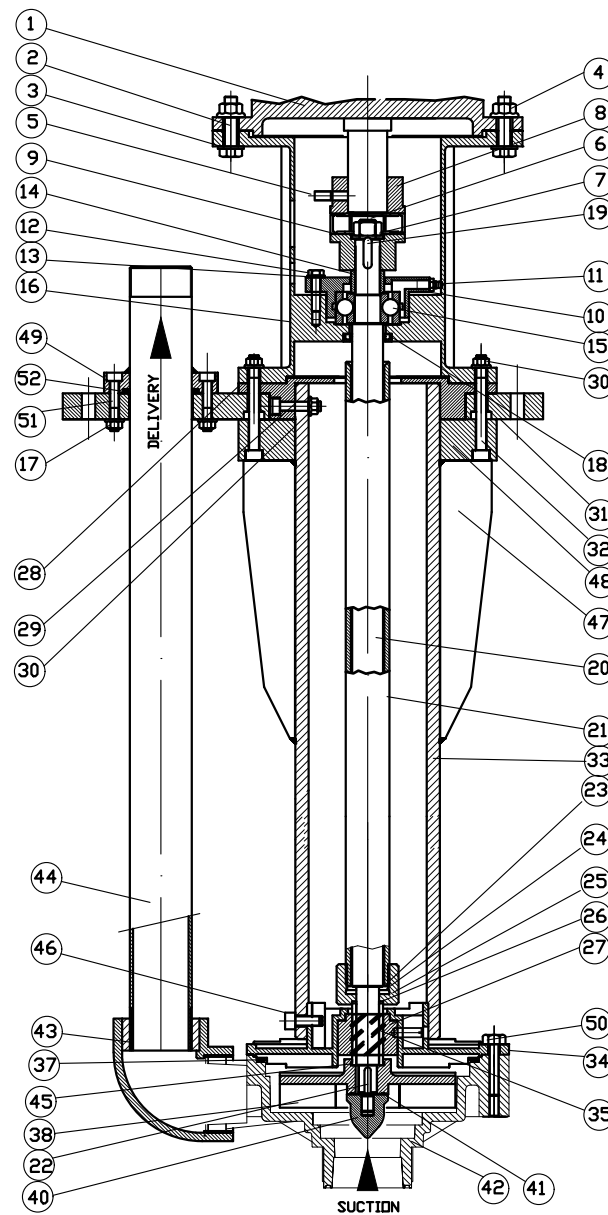
Max head/Prevalenza massima: 26 m

Max temperature/Temperatura massima: PP 60°C/PVDF 90°C

CURVES/CURVE 50HZ-2900 RPM



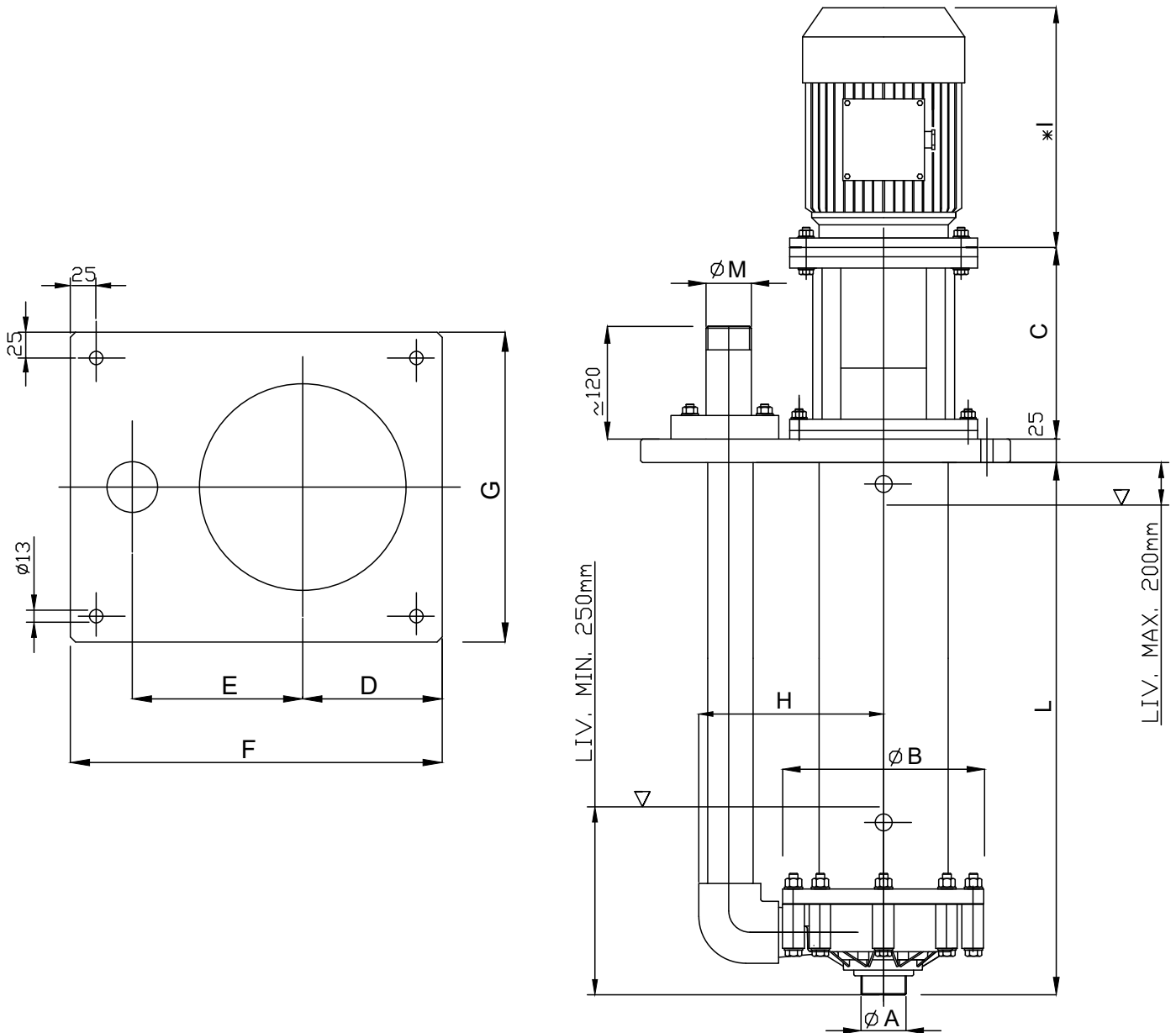
SECTION AND PARTS LIST/SEZIONE E LISTA PARTI



PDS	DESCR.	MAT.
1	Motor	
2	Screw	A2 (AISI 304)
3	Washer	A2 (AISI 304)
4	Nut	A2 (AISI 304)
5	Screw	A2 (AISI 304)
6	Nut	A2 (AISI 304)
7	Washer	A2 (AISI 304)
8	Motor joint	CAST IRON
9	Pump joint	CAST IRON
10	Cover	ALL.
11	Lubrif. nipple	BRASS
12	Screw	A2 (AISI 304)
13	Washer	A2 (AISI 304)
14	Spacer	C40
15	Bearing	
16	Bracket	ALL.
17	Nut	A2 (AISI 304)
18	Seal ring	NBR
19	Key	A2 (AISI 304)
20	Shaft	C40
21	Shaft covering	PP/PVDF
22	Key	A2 (AISI 304)
23	Washer	A2 (AISI 304)
24	Washer	A2 (AISI 304)
25	Guide shaft cov.	PP/PVDF
26	O-ring	EDPM/VITON
27	Bushing	PTFEC
28	Upper support	PP
29	Screw	A2 (AISI 304)
30	Nut	A2 (AISI 304)
31	Plate	PP
32	Screw	A2 (AISI 304)
33	Column	PP/PVDF
34	Cover	PP+GF/PVDF+CF
35	Wear bushing	Al203
37	O-ring	EDPM/VITON
38	Impeller	PP+GF/PVDF+CF
*40	Nut	PP+GF/PVDF+CF
41	O-ring	EDPM/VITON
42	Pump head	PP+GF/PVDF+CF
43	Elbow	PP/PVDF
44	Flow pipe	PP/PVDF
45	O-ring	EDPM/VITON
46	Screw	PVDF
*47	Reinforced wing	PP/PVDF
*48	Flange	PP/PVDF
49	Flange	PP
50	Screw	PVDF
51	Screw	A2 (AISI 304)
52	O-ring	EDPM/VITON

* FOR PUMPS DEPTH OVER 1250mm
** NUT WITH BRASS INSERT COVERED WITH PP/PVDF

DIMENSIONS/DIMENSIONI D'INGOMBRO



PUMP TYPE	MOTOR FLANGE B5	POT. Kw	DIMENSIONS - mm -										
			ϕA	ϕM	ϕB	C	D	E	F	G	H	*I	L
HVL 150	132 SA	5.5	3" MALE	2" MALE	275	265	170	215	480	380	260	380	A RICHIESTA DA 500 A 2000mm ON REQUEST FROM 500 TO 2000mm
HVL 150	132 SB	7.5	3" MALE	2" MALE	275	265	170	215	480	380	260	380	A RICHIESTA DA 500 A 2000mm ON REQUEST FROM 500 TO 2000mm

* Different according to the manufacturer / Diverso a seconda del fornitore

FEATURES/CARATTERISTICHE

Pump HVL/Pompa HVL: Vertical centrifugal with coupling
Verticale centrifuga con lanterna

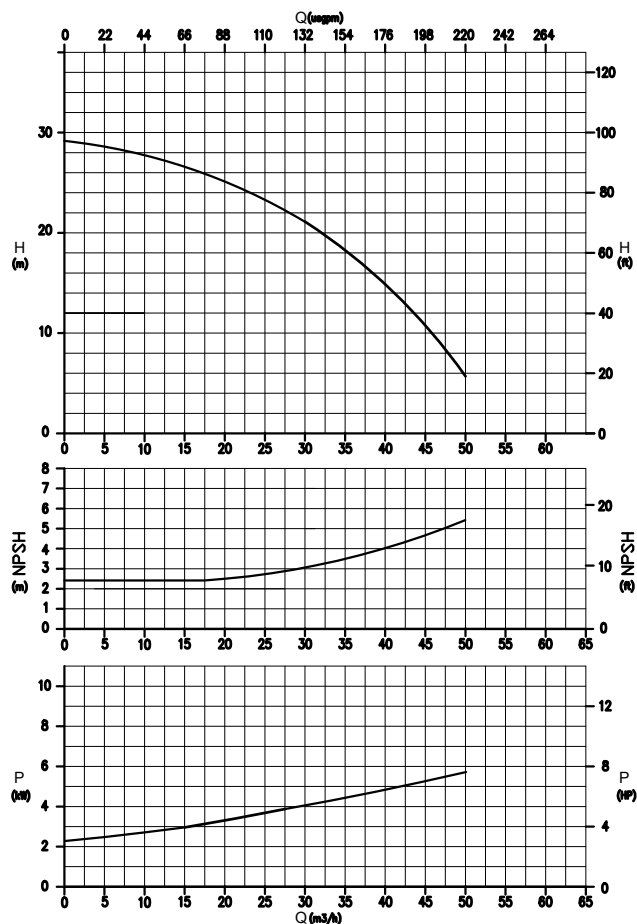
Materials available/Materiali disponibili: PP-PVDF

Max flow/Portata massima: 50 m³/h

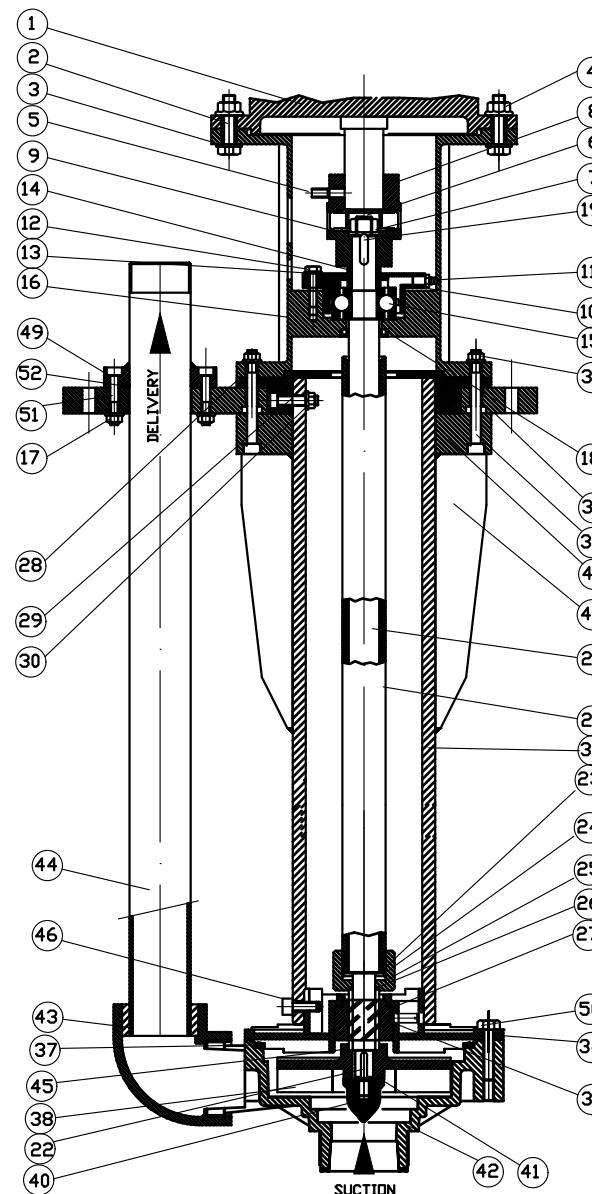
Max head/Prevalenza massima: 29 m

Max temperature/Temperatura massima: PP 60°C/PVDF 90°C

CURVES/CURVE 50HZ-2900 RPM



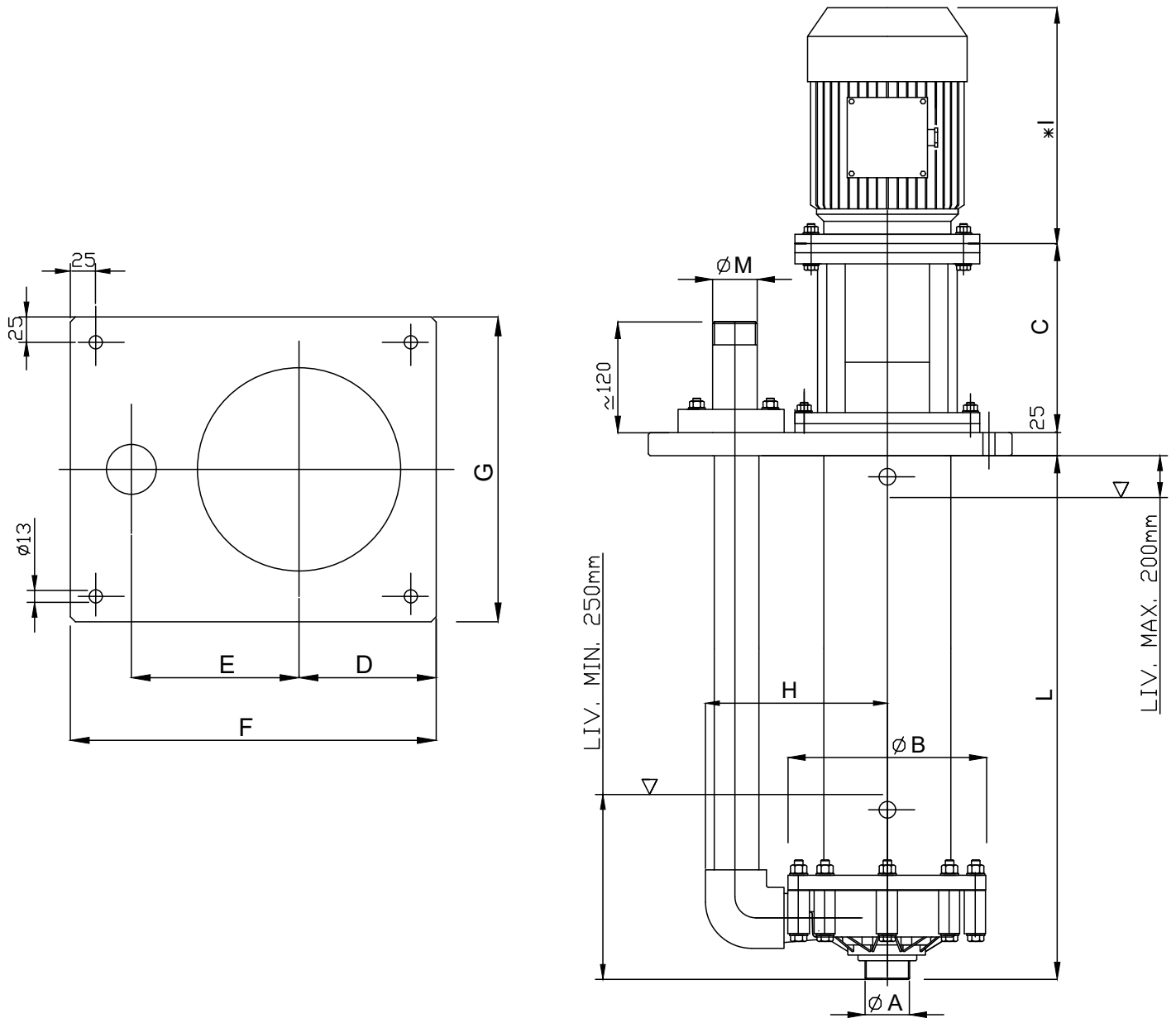
SECTION AND PARTS LIST/SEZIONE E LISTA PARTI



PDS	DESCR.	MAT.
1	Motor	
2	Screw	A2 (AISI 304)
3	Washer	A2 (AISI 304)
4	Nut	A2 (AISI 304)
5	Screw	A2 (AISI 304)
6	Nut	A2 (AISI 304)
7	Washer	A2 (AISI 304)
8	Motor Joint	CAST IRON
9	Pump Joint	CAST IRON
10	Cover	ALL.
11	Lubrif. nipple	BRASS
12	Screw	A2 (AISI 304)
13	Washer	A2 (AISI 304)
14	Spacer	C40
15	Bearing	
16	Bracket	ALL.
17	Nut	A2 (AISI 304)
18	Seal ring	NBR
19	Key	A2 (AISI 304)
20	Shaft	C40
21	Shaft covering	PP/PVDF
22	Key	A2 (AISI 304)
23	Washer	A2 (AISI 304)
24	Washer	A2 (AISI 304)
25	Guide shaft cov.	PP/PVDF
26	O-ring	EDPM/VITON
27	Bushing	PTFEC
28	Upper support	PP
29	Screw	A2 (AISI 304)
30	Nut	A2 (AISI 304)
31	Plate	PP
32	Screw	A2 (AISI 304)
33	Column	PP/PVDF
34	Cover	PP+GF/PVDF+CF
35	Wear bushing	Al203
37	O-ring	EDPM/VITON
38	Impeller	PP+GF/PVDF+CF
40	Nut	PP+GF/PVDF+CF
41	O-ring	EDPM/VITON
42	Pump head	PP+GF/PVDF+CF
43	Elbow	PP/PVDF
44	Flow pipe	PP/PVDF
45	O-ring	EDPM/VITON
46	Screw	PVDF
47	Reinforced wing	PP/PVDF
48	Flange	PP/PVDF
49	Flange	PP
50	Screw	PVDF
51	Screw	A2 (AISI 304)
52	O-ring	EDPM/VITON

● FOR PUMPS DEPTH OVER 1250mm
● NUT WITH BRASS INSERT COVERED WITH PP/PVDF

DIMENSIONS/DIMENSIONI D'INGOMBRO



PUMP TYPE	MOTOR FLANGE B5	POT. Kw	DIMENSIONS - mm -										
			Ø A	Ø M	Ø B	C	D	E	F	G	H	*I	L
HVL 155	132 SA	5.5	3" MALE	2" MALE	275	250	170	215	480	380	260	380	A RICHIESTA DA 500 A 2000mm ON REQUEST FROM 500 TO 2000mm
HVL 155	132 SB	7.5	3" MALE	2" MALE	275	250	170	215	480	380	260	380	A RICHIESTA DA 500 A 2000mm ON REQUEST FROM 500 TO 2000mm

* Different according to the manufacturer / Diverso a seconda del fornitore

FEATURES/CARATTERISTICHE

Pump HVL/Pompa HVL:

Vertical centrifugal with coupling
Verticale centrifuga con lanterna

Materials available/Materiali disponibili:

PP-PVDF

Max flow/Portata massima:

55 m³/h

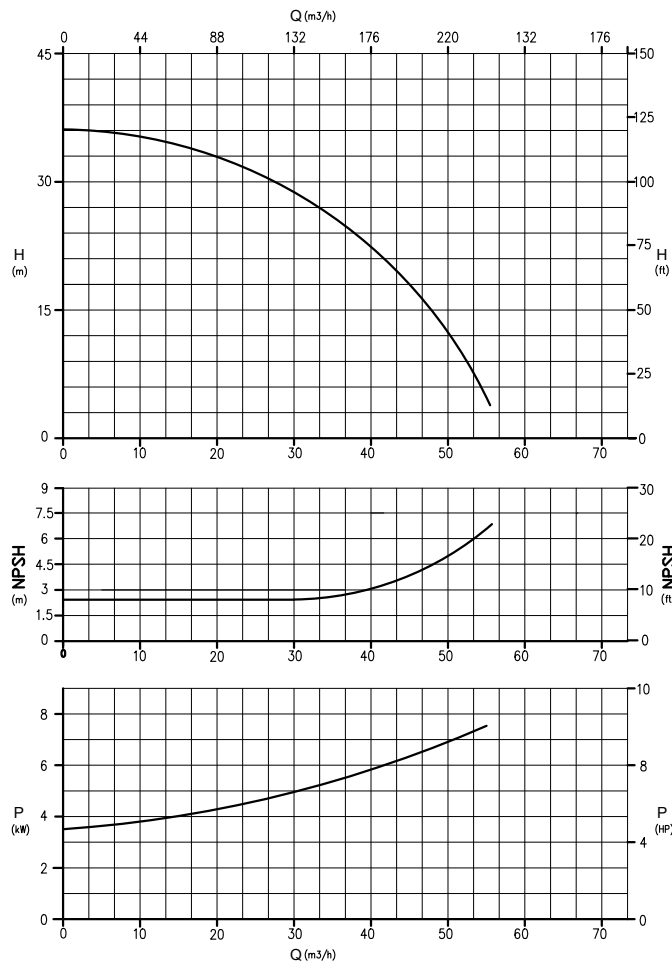
Max head/Prevalenza massima:

36 m

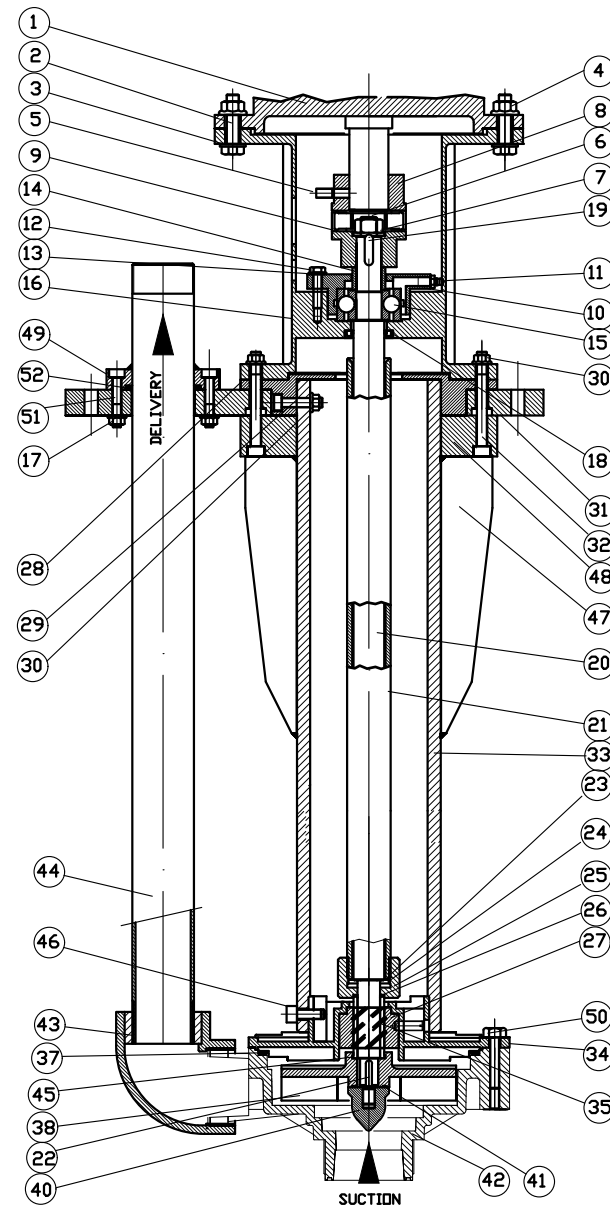
Max temperature/Temperatura massima:

PP 60°C/PVDF 90°C

CURVES/CURVE 50HZ-2900 RPM



SECTION AND PARTS LIST/SEZIONE E LISTA PARTI

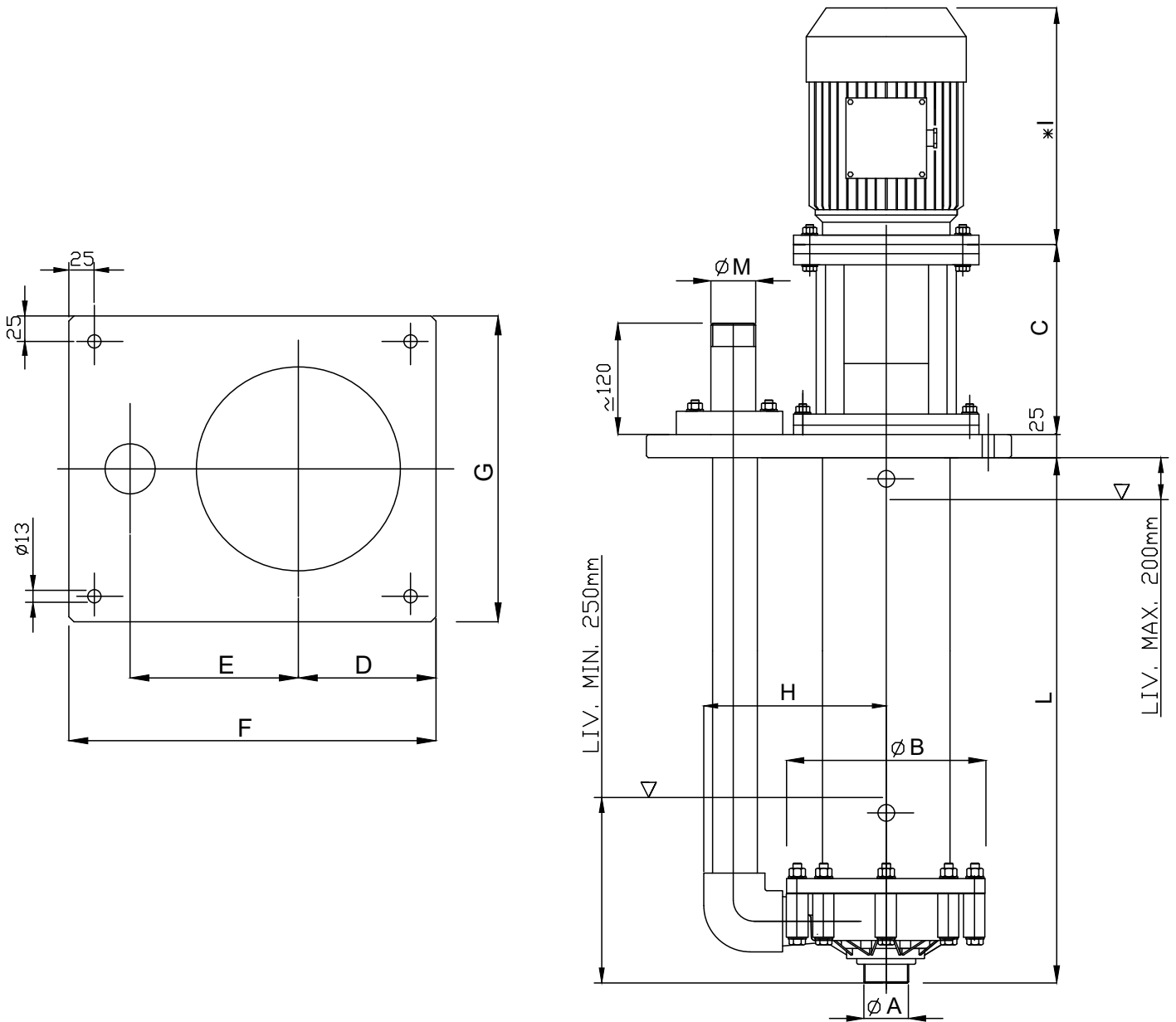


PQS	DESCR.	MAT.
1	Motor	
2	Screw	A2 (AISI 304)
3	Washer	A2 (AISI 304)
4	Nut	A2 (AISI 304)
5	Screw	A2 (AISI 304)
6	Nut	A2 (AISI 304)
7	Washer	A2 (AISI 304)
8	Motor joint	CAST IRON
9	Pump joint	CAST IRON
10	Cover	ALL.
11	Lubrif. nipple	BRASS
12	Screw	A2 (AISI 304)
13	Washer	A2 (AISI 304)
14	Spacer	C40
15	Bearing	
16	Bracket	ALL.
17	Nut	A2 (AISI 304)
18	Seal ring	NBR
19	Key	A2 (AISI 304)
20	Shaft	C40
21	Shaft covering	PP/PVDF
22	Key	A2 (AISI 304)
23	Washer	A2 (AISI 304)
24	Washer	A2 (AISI 304)
25	Guide shaft cov.	PP/PVDF
26	O-ring	EDPM/VITON
27	Bushing	PTFEC
28	Upper support	PP
29	Screw	A2 (AISI 304)
30	Nut	A2 (AISI 304)
31	Plate	PP
32	Screw	A2 (AISI 304)
33	Column	PP/PVDF
34	Cover	PP+GF/PVDF+CF
35	Wear bushing	Al203
37	O-ring	EDPM/VITON
38	Impeller	PP+GF/PVDF+CF
* 40	Nut	PP+GF/PVDF+CF
41	O-ring	EDPM/VITON
42	Pump head	PP+GF/PVDF+CF
43	Elbow	PP/PVDF
44	Flow pipe	PP/PVDF
45	O-ring	EDPM/VITON
46	Screw	PVDF
* 47	Reinforced wing	PP/PVDF
* 48	Flange	PP/PVDF
49	Flange	PP
50	Screw	PVDF
51	Screw	A2 (AISI 304)
52	O-ring	EDPM/VITON

* FOR PUMPS DEPTH OVER 1250mm

** NUT WITH BRASS INSERT COVERED WITH PP/PVDF

DIMENSIONS/DIMENSIONI D'INGOMBRO



PUMP TYPE	MOTOR FLANGE B5	POT. Kw	DIMENSIONS - mm -										
			ϕA	ϕM	ϕB	C	D	E	F	G	H	*I	L
HVL 160	132 SB	7.5	3" MALE	2" MALE	275	250	170	215	480	380	260	380	A RICHIESTA DA 500 A 2000mm ON REQUEST FROM 500 TO 2000mm
HVL 160	132 MA	9.2	3" MALE	2" MALE	275	250	170	215	480	380	260	418	A RICHIESTA DA 500 A 2000mm ON REQUEST FROM 500 TO 2000mm

* Different according to the manufacturer / Diverso a seconda del fornitore

All data stated are an indication and are liable to change without notice / Tutti i dati sono indicativi e possono variare senza preavviso

FEATURES/CARATTERISTICHE

Pump HVL/Pompa HVL: Vertical centrifugal with coupling
Verticale centrifuga con lanterna

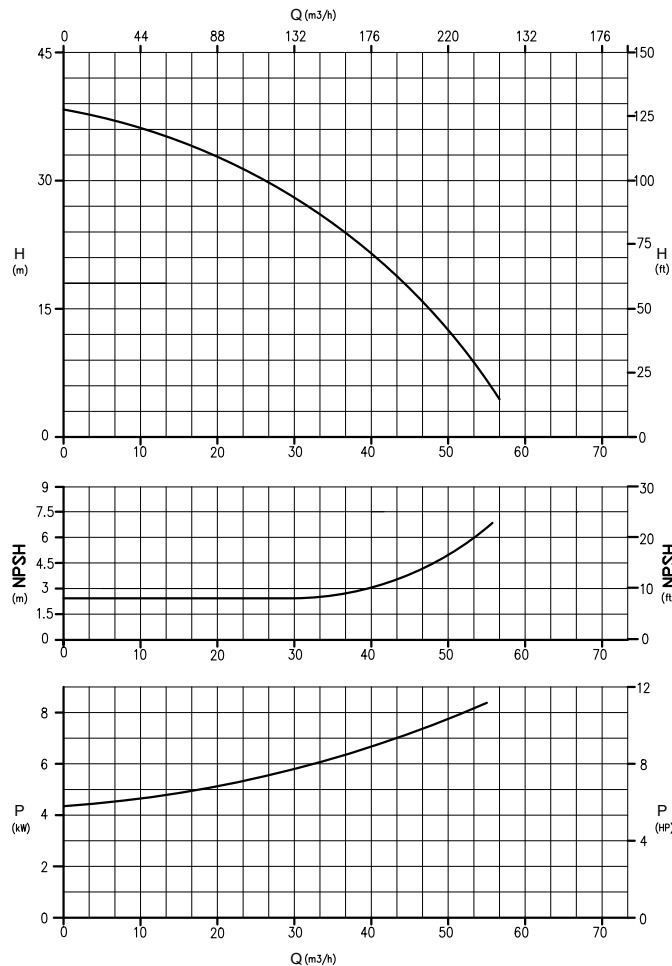
Materials available/Materiali disponibili: PP-PVDF

Max flow/Portata massima: 57 m³/h

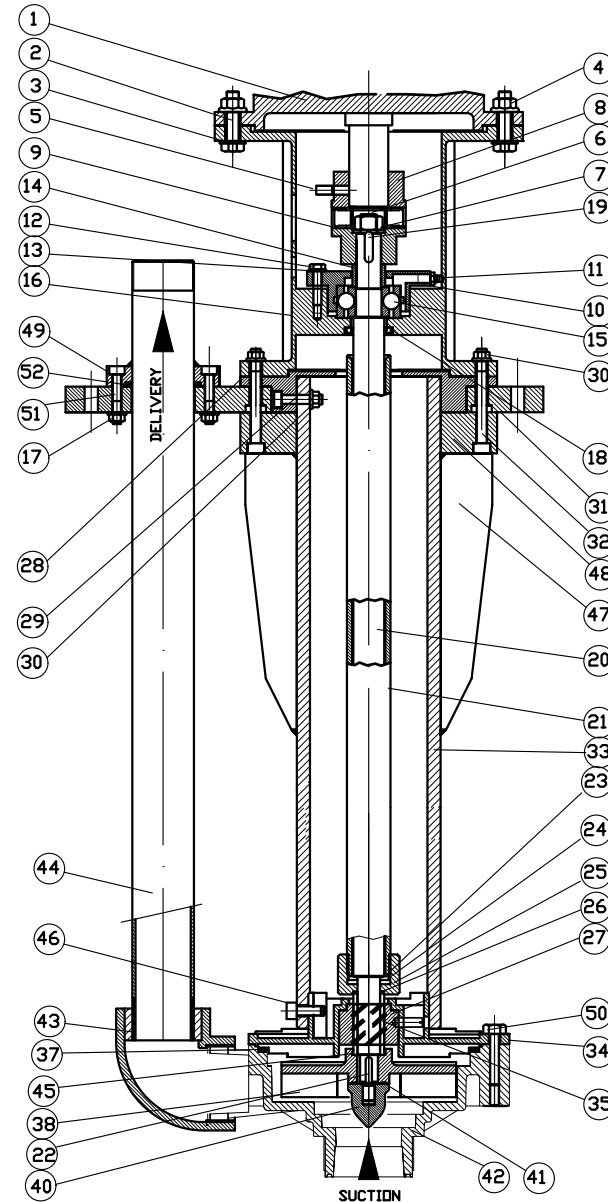
Max head/Prevalenza massima: 39 m

Max temperature/Temperatura massima: PP 60°C/PVDF 90°C

CURVES/CURVE 50HZ-2900 RPM



SECTION AND PARTS LIST/SEZIONE E LISTA PARTI

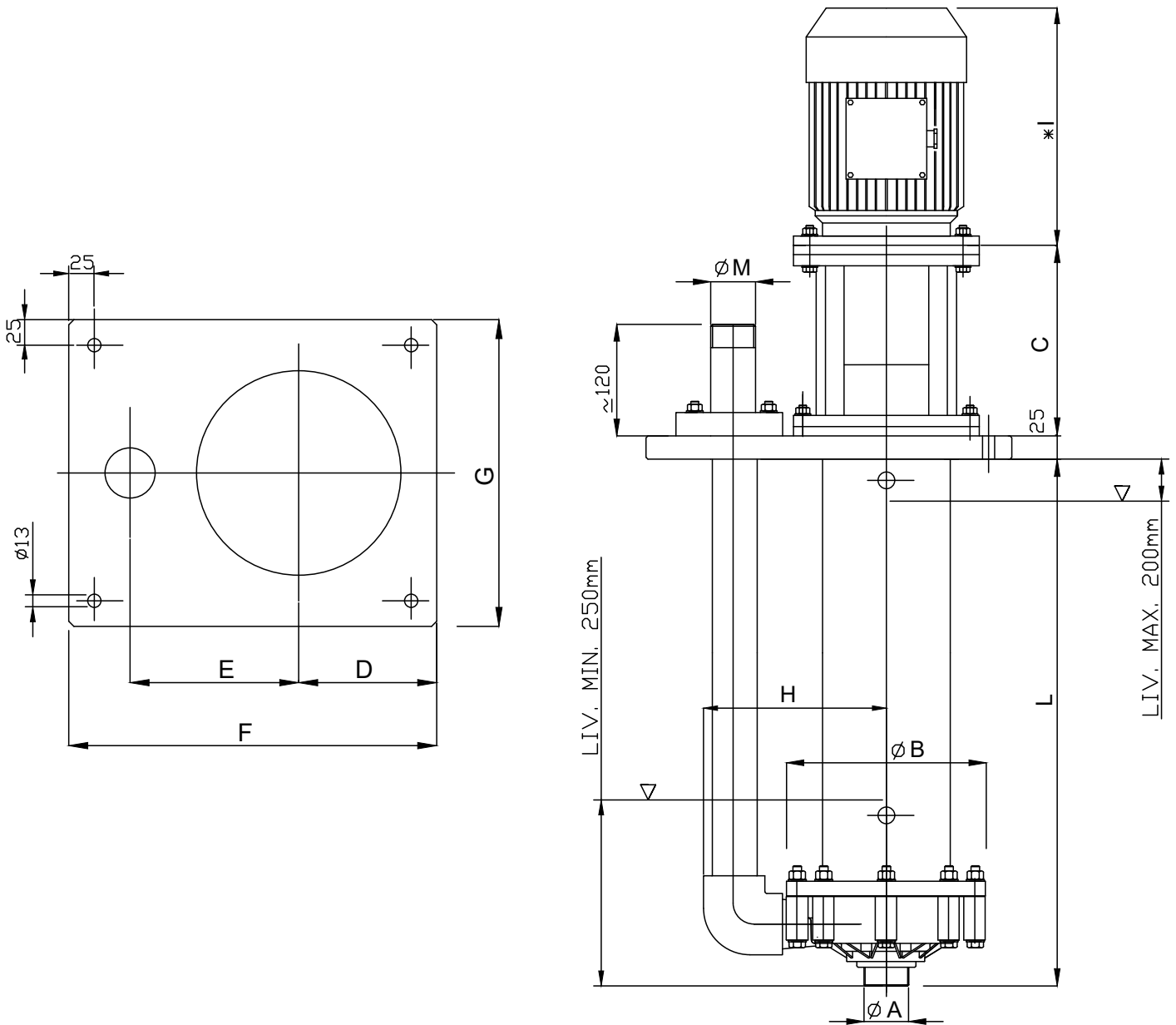


PDS	DESCR.	MAT.
1	Motor	
2	Screw	A2 (AISI 304)
3	Washer	A2 (AISI 304)
4	Nut	A2 (AISI 304)
5	Screw	A2 (AISI 304)
6	Nut	A2 (AISI 304)
7	Washer	A2 (AISI 304)
8	Motor joint	CAST IRON
9	Pump joint	CAST IRON
10	Cover	ALL.
11	Lubrif. nipple	BRASS
12	Screw	A2 (AISI 304)
13	Washer	A2 (AISI 304)
14	Spacer	C40
15	Bearing	
16	Bracket	ALL.
17	Nut	A2 (AISI 304)
18	Seal ring	NBR
19	Key	A2 (AISI 304)
20	Shaft	C40
21	Shaft covering	PP/PVDF
22	Key	A2 (AISI 304)
23	Washer	A2 (AISI 304)
24	Washer	A2 (AISI 304)
25	Guide shaft cov.	PP/PVDF
26	O-ring	EDPM/VITON
27	Bushing	PTFEC
28	Upper support	PP
29	Screw	A2 (AISI 304)
30	Nut	A2 (AISI 304)
31	Plate	PP
32	Screw	A2 (AISI 304)
33	Column	PP/PVDF
34	Cover	PP+GF/PVDF+CF
35	Wear bushing	Al2O3
37	O-ring	EDPM/VITON
38	Impeller	PP+GF/PVDF+CF
* 40	Nut	PP+GF/PVDF+CF
41	O-ring	EDPM/VITON
42	Pump head	PP+GF/PVDF+CF
43	Elbow	PP/PVDF
44	Flow pipe	PP/PVDF
45	O-ring	EDPM/VITON
46	Screw	PVDF
* 47	Reinforced wing	PP/PVDF
* 48	Flange	PP/PVDF
49	Flange	PP
50	Screw	PVDF
51	Screw	A2 (AISI 304)
52	O-ring	EDPM/VITON

* FOR PUMPS DEPTH OVER 1250mm

* * NUT WITH BRASS INSERT COVERED WITH PP/PVDF

DIMENSIONS/DIMENSIONI D'INGOMBRO



PUMP TYPE	MOTOR FLANGE B5	POT. Kw	DIMENSIONS - mm -										
			Ø A	Ø M	Ø B	C	D	E	F	G	H	* I	L
HVL 170	G 132 S	9	3" MALE	2" MALE	275	250	170	215	480	380	260	420	A RICHIESTA DA 500 A 2000mm ON REQUEST FROM 500 TO 2000mm

* Different according to the manufacturer / Diverso a seconda del fornitore

FEATURES/CARATTERISTICHE

Pump HVL/Pompa HVL:

Vertical centrifugal with coupling
Verticale centrifuga con lanterna

Materials available/Materiali disponibili:

PP-PVDF

Max flow/Portata massima:

95 m³/h

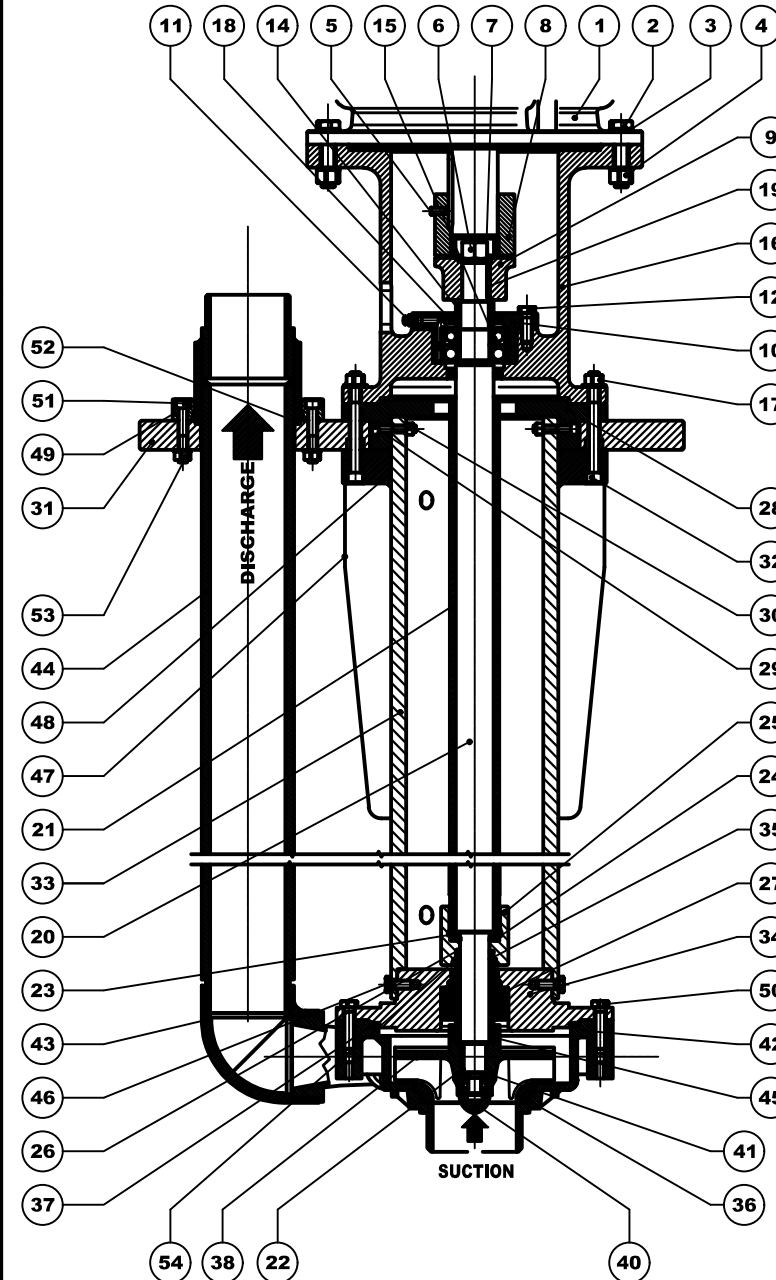
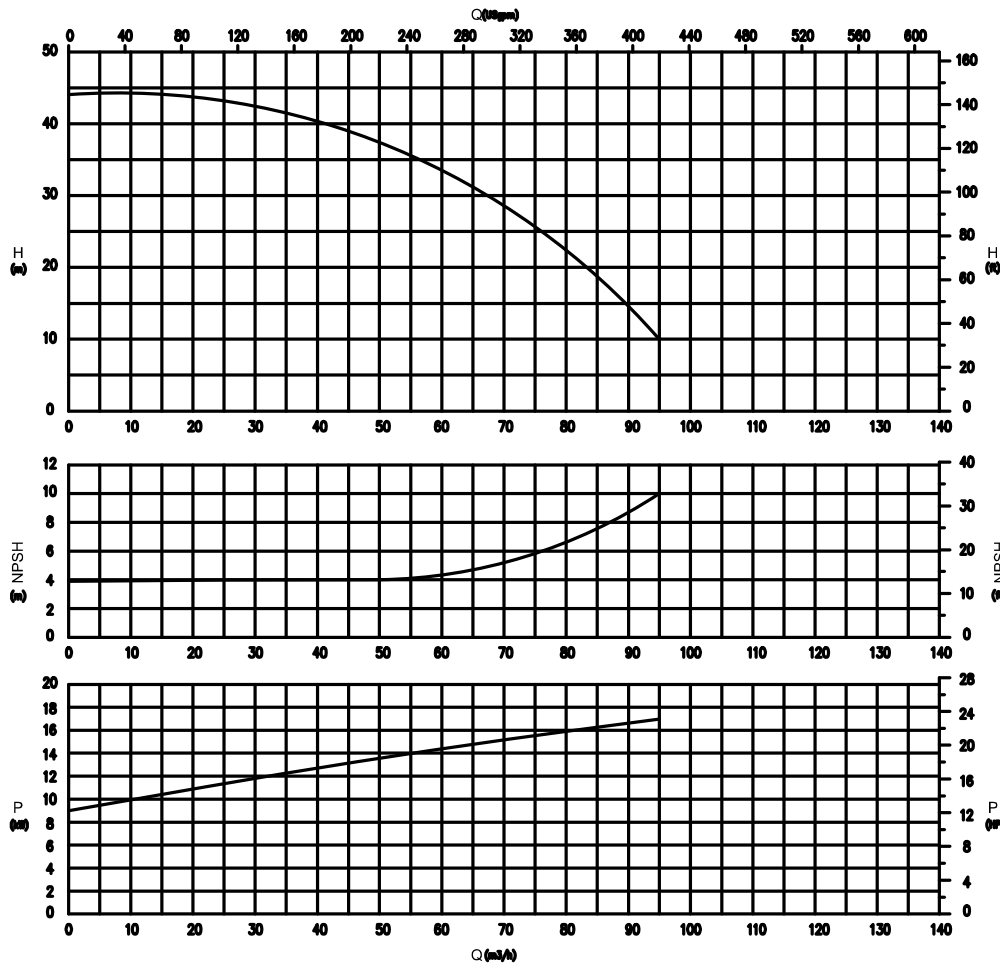
Max head/Prevalenza massima:

44 m

Max temperature/Temperatura massima:

PP 60°C/PVDF 90°C

CURVES/CURVE 50HZ-2900 RPM

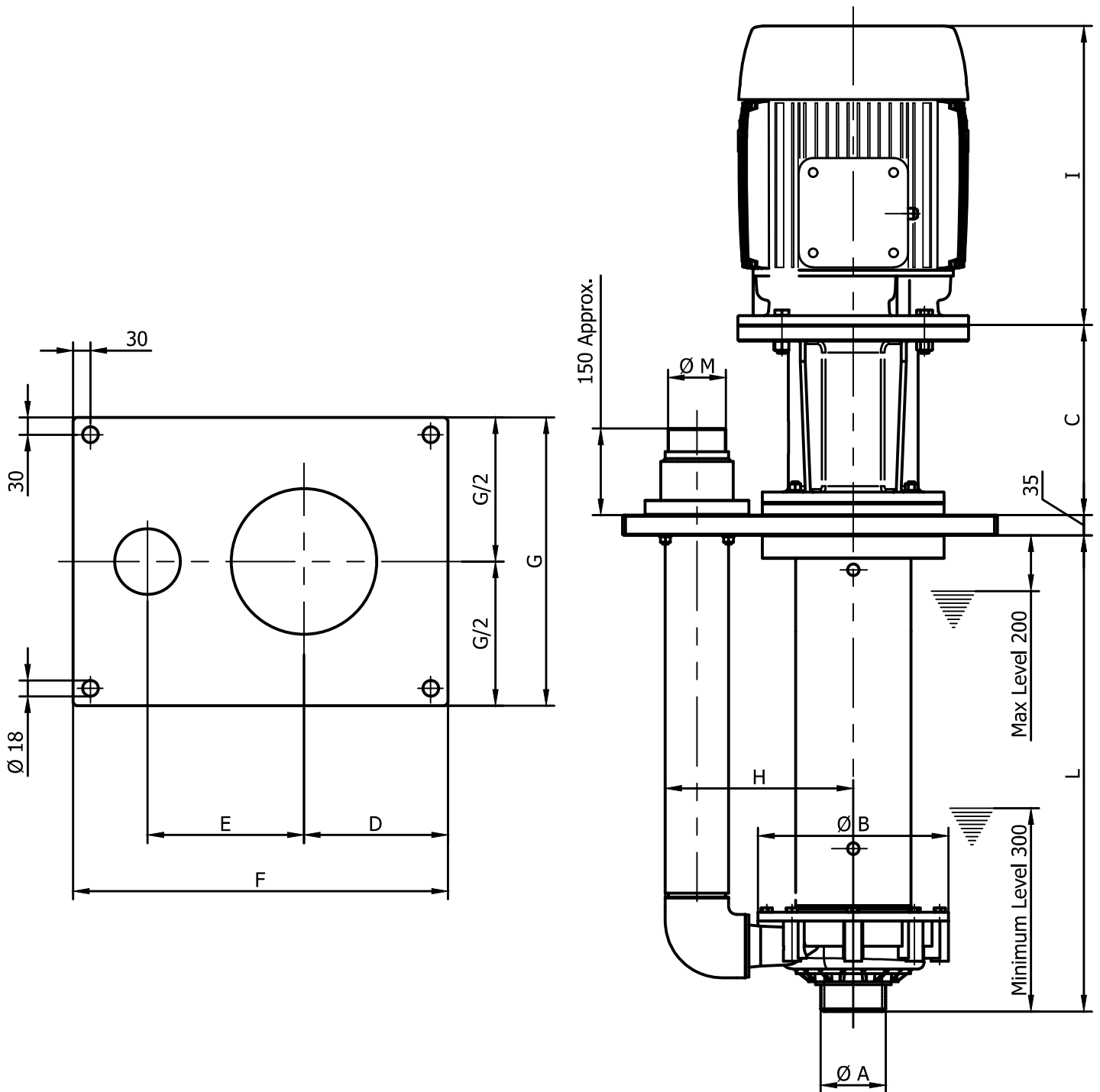


PART LIST		
POS.	DESCRIPTION	MAT.
1	Motor	-
2	Screw	AISI 304
3	Washer	AISI 304
4	Nut	AISI 304
5	Screw	AISI 304
6	Nut	AISI 304
7	Washer	AISI 304
8	Motor joint	CAST IRON
9	Pump joint	CAST IRON
10	Cover	C40
11	Lubrif. nipple	STEEL
12	Screw	AISI 304
14	Spacer	C40
15	Bearings	STEEL
16	Bracket	ALUMINIUM
17	Nut	AISI 304
18	Seal rings	EPDM / VITON
19	Key	AISI 304
20	Shaft	C40
21	Shaft covering	PP/PVDF
22	Key	AISI 304
23	Washer	AISI 304
24	Washer	AISI 304
25	Guide shaft cov.	PP/PVDF
26	O-Ring	EPDM / VITON
27	Bushing	PTFEC
28	Upper Support	PP
29	Screw	AISI 304
30	Nut	AISI 304
31	Plate	PP
32	Screw + Washer	AISI 304
33	Column	PP/PVDF
34	Cover	PP+GF/PVDF+CF
35	Wear bushing	Al2O3
36	Wear plate	Wear Plate
37	O-Ring	EPDM / VITON
38	Impeller	PP/PVDF
40	Nut	PP+GF/PVDF+CF
41	O-Ring	EPDM / VITON
42	Pump head	PP+GF/PVDF+CF
43	Elbow	PP/PVDF
44	Flow pipe	PP/PVDF
45	O-Rings	EPDM / VITON
46	Screw	PVDF
47	Reinforced wing	PP/PVDF
48	Flange	PP/PVDF
49	Flange	PP
50	Screw	PVDF
51	Screw + Washer	AISI 304
52	O-Ring	EPDM / VITON
53	Nut	AISI 304
54	O-Ring	EPDM / VITON

FOR PUMPS DEPTH OVER 1250 mm
NUT WITH SS INSERT COVERED WITH PP/PVDF

All data stated are an indication and are liable to change without notice / Tutti i dati sono indicativi e possono variare senza preavviso

DIMENSIONS/DIMENSIONI D'INGOMBRO



PUMP TYPE	MOTOR FLANGE B5	POT. Kw	DIMENSIONS - mm -										
			ØA	ØM	ØB	C	D	E	F	G	H	*I	L
HVL 180	160 M	11	3-1/2" MALE	3-1/2" MALE	330	330	250	271	650	500	325	555	A RICHIESTA DA 500 A 2000mm ON REQUEST FROM 500 TO 2000mm
	160 M	15										555	
	160 L	18,5										575	
	180 M	22										620	

* Different according to the manufacturer / Diverso a seconda del fornitore

All data stated are an indication and are liable to change without notice / Tutti i dati sono indicativi e possono variare senza preavviso

FEATURES/CARATTERISTICHE

Pump HVL/Pompa HVL:

Vertical centrifugal with coupling
Verticale centrifuga con lanterna

Materials available/Materiali disponibili:

PP-PVDF

Max flow/Portata massima:

130 m³/h

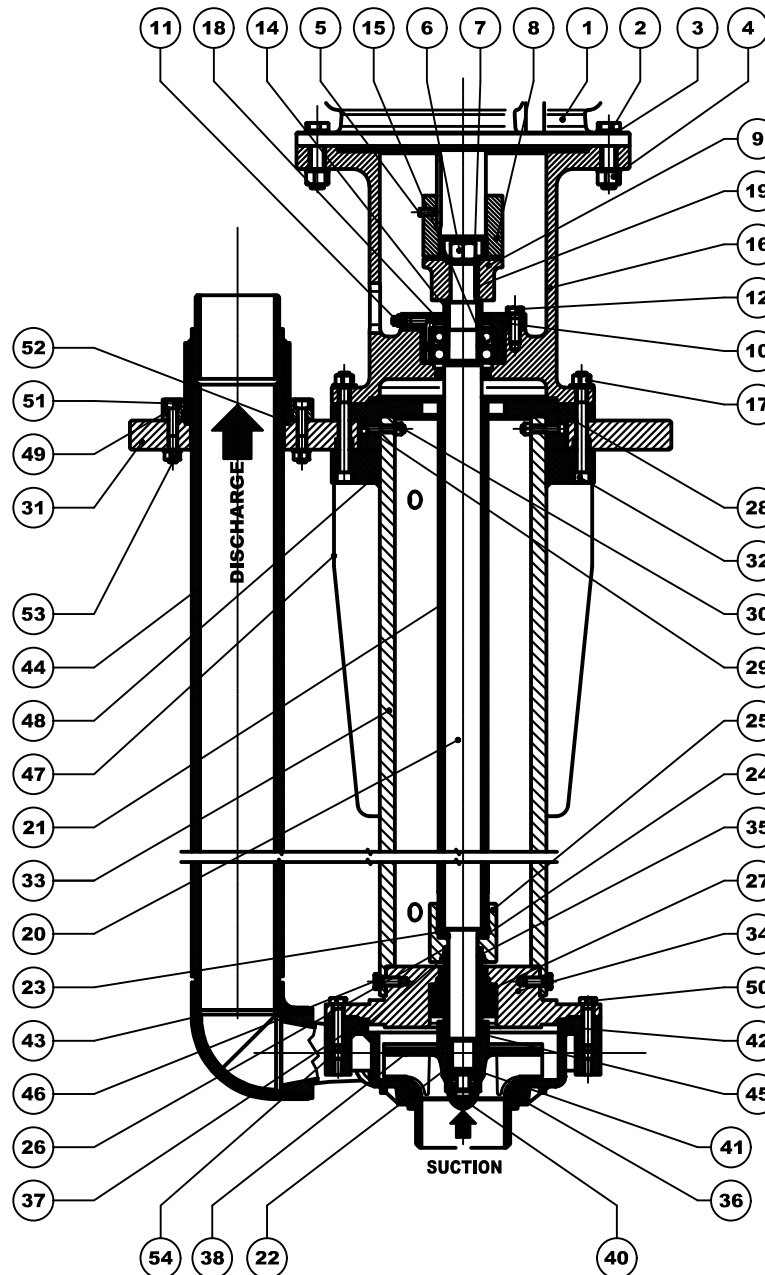
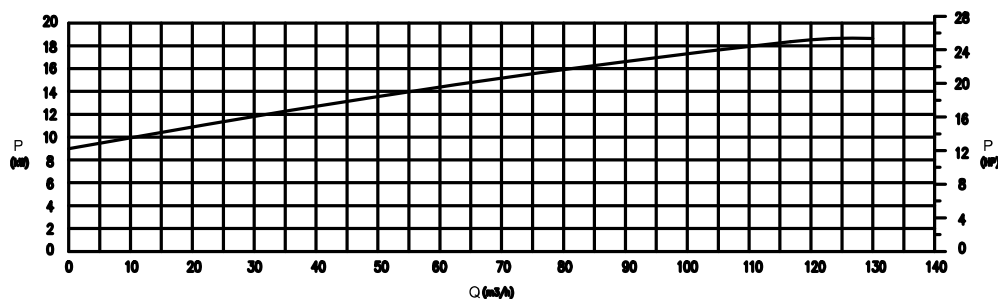
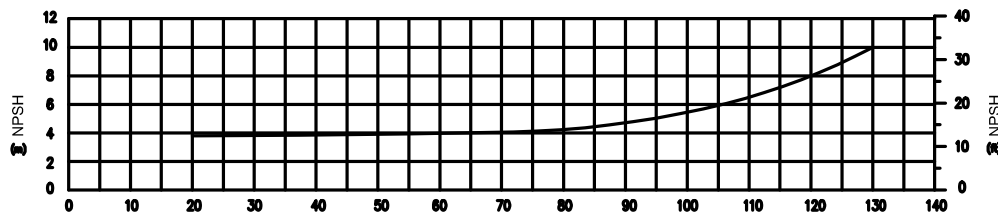
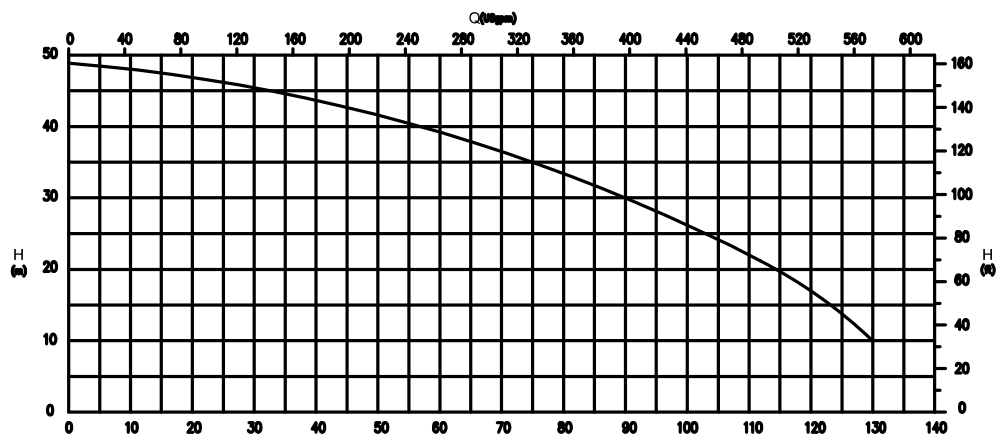
Max head/Prevalenza massima:

48 m

Max temperature/Temperatura massima:

PP 60°C/PVDF 90°C

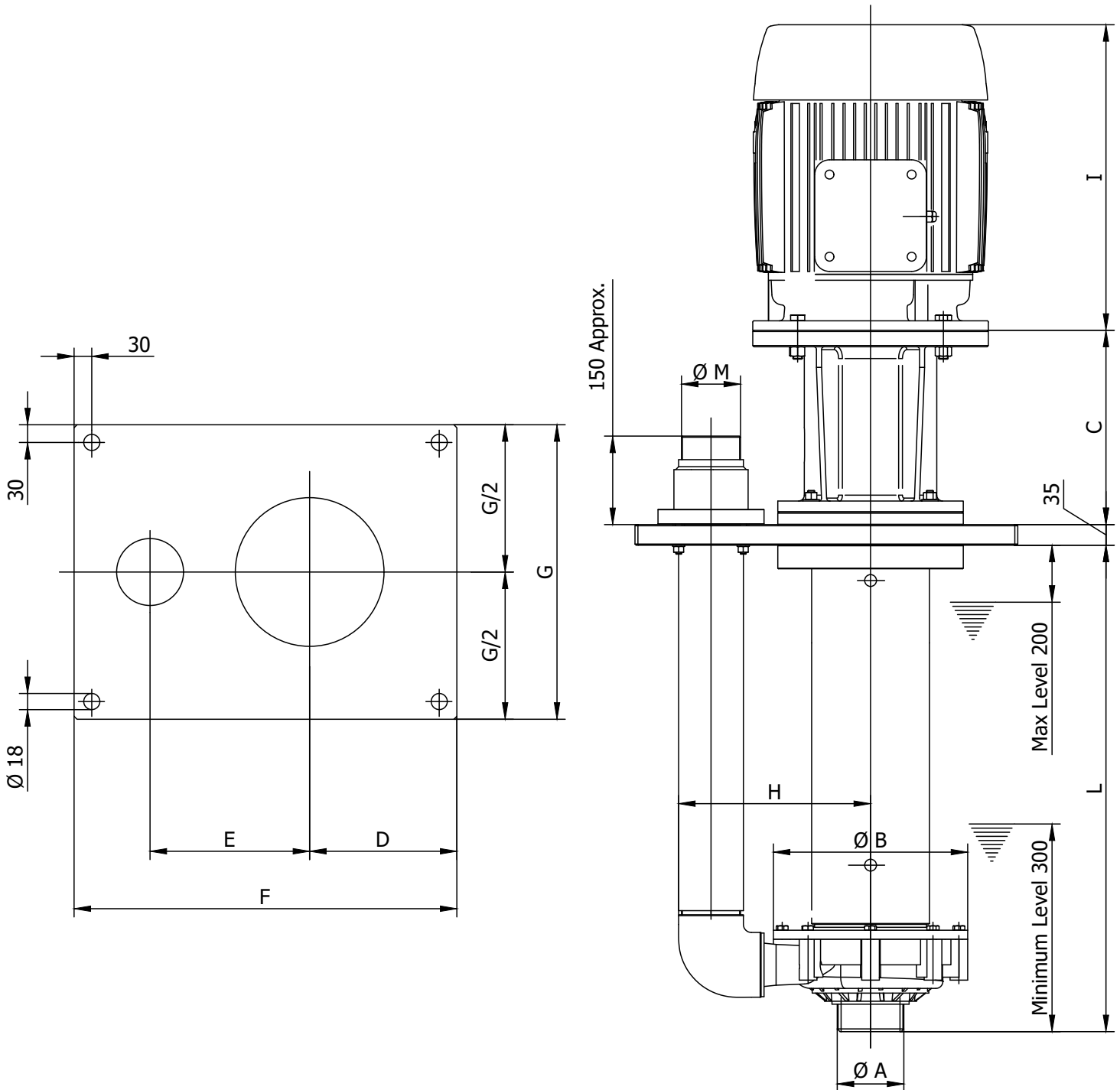
CURVES/CURVE 50HZ-2900 RPM



PART LIST		
POS.	DESCRIPTION	MAT.
1	Motor	-
2	Screw	AISI 304
3	Washer	AISI 304
4	Nut	AISI 304
5	Screw	AISI 304
6	Nut	AISI 304
7	Washer	AISI 304
8	Motor joint	CAST IRON
9	Pump joint	CAST IRON
10	Cover	C40
11	Lubrif. nipple	STEEL
12	Screw	AISI 304
14	Spacer	C40
15	Bearings	STEEL
16	Bracket	ALUMINIUM
17	Nut	AISI 304
18	Seal rings	EPDM / VITON
19	Key	AISI 304
20	Shaft	C40
21	Shaft covering	PP/PVDF
22	Key	AISI 304
23	Washer	AISI 304
24	Washer	AISI 304
25	Guide shaft cov.	PP/PVDF
26	O-Ring	EPDM / VITON
27	Bushing	PTFEC
28	Upper Support	PP
29	Screw	AISI 304
30	Nut	AISI 304
31	Plate	PP
32	Screw + Washer	AISI 304
33	Column	PP/PVDF
34	Cover	PP+GF/PVDF+CF
35	Wear bushing	Al2O3
36	Wear plate	Wear Plate
37	O-Ring	EPDM / VITON
38	Impeller	PP/PVDF
40	Nut	PP+GF/PVDF+CF
41	O-Ring	EPDM / VITON
42	Pump head	PP+GF/PVDF+CF
43	Elbow	PP/PVDF
44	Flow pipe	PP/PVDF
45	O-Rings	EPDM / VITON
46	Screw	PVDF
47	Reinforced wing	PP/PVDF
48	Flange	PP/PVDF
49	Flange	PP
50	Screw	PVDF
51	Screw + Washer	AISI 304
52	O-Ring	EPDM / VITON
53	Nut	AISI 304
54	O-Ring	EPDM / VITON

☛ FOR PUMPS DEPTH OVER 1250 mm
☛ NUT WITH SS INSERT COVERED WITH PP/PVDF

DIMENSIONS/DIMENSIONI D'INGOMBRO



PUMP TYPE	MOTOR FLANGE B5	POT. Kw	DIMENSIONS - mm -										
			$\text{Ø} A$	$\text{Ø} M$	$\text{Ø} B$	C	D	E	F	G	H	* I	L
HVL 200	160 M	15	4" MALE	3-1/2" MALE	330	330	250	271	650	500	325	555	A RICHIESTA DA 500 A 2000mm ON REQUEST FROM 500 TO 2000mm
	160 L	18,5										575	
	180 M	22										620	
	200 L	30										675	
		37											

* Different according to the manufacturer / Diverso a seconda del fornitore

All data stated are an indication and are liable to change without notice / Tutti i dati sono indicativi e possono variare senza preavviso