

CHEMICAL PUMPS SINCE 1992



GENERAL  
CATALOGUE

2025 | 2026

# VERTICAL PUMPS

## VERTICAL CENTRIFUGAL PUMPS

Vertical centrifugal pumps are suitable for installations with the pump immersed directly in the tank.

**GemmeCotti supplies the following models of vertical pumps:**

### HV PP/PVDF

- Thermoplastic pumps made of PP or PVDF.
- Capacity up to 40 m<sup>3</sup>/h.
- Head up to 22 m.
- Monobloc pump with semi open-impeller.
- Suitable for highly corrosive liquids with solids in suspension.
- Column length up to 1000 mm.

### HVL PP/PVDF

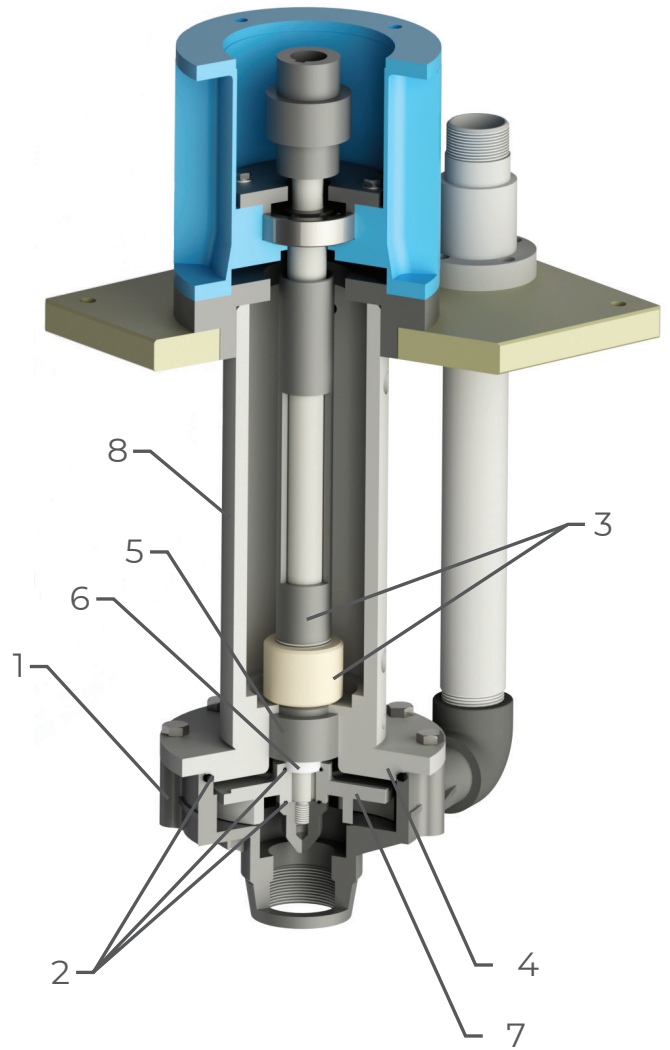
- Thermoplastic pumps made of PP or PVDF.
- Capacity up to 130 m<sup>3</sup>/h.
- Head up to 48 m.
- Centrifugal pump with coupling and semi open-impeller.
- Suitable for highly corrosive liquids with solids in suspension.
- Column length up to 2000 mm.

### HTM-V PP/PVDF

- Vertical magnetic drive pumps.
- Thermoplastic pumps made of PP or PVDF.
- Capacity up to 23 m<sup>3</sup>/h.
- Head up to 20 m.
- Column length: 320 mm.

### PVA AISI 316

- Vertical centrifugal cantilever pumps.
- Made of AISI 316.
- Capacity up to 24 m<sup>3</sup>/h.
- Head up to 26 m.
- Especially designed for the production of PCBs.



| MATERIALS IN CONTACT WITH THE LIQUID    |                                |                                |
|---|--------------------------------|--------------------------------|
| PART NUMBER - DESCRIPTION               | VERTICAL PUMPS                 |                                |
|   | HV                             | HVL                            |
| 1 - PUMP HEAD                           | PP or PVDF                     | PP or PVDF                     |
| 2 - O-RING                              | EPDM or VITON                  | EPDM or VITON                  |
| 3 - SHAFT COVERING/<br>GUIDE SHAFT COV. | PP                             | PP                             |
| 4 - COVER                               | PP or PVDF                     | PP or PVDF                     |
| 5 - BUSHING                             | PTFEC                          | PTFEC                          |
| 6 - WEAR BUSHING                        | Al <sub>2</sub> O <sub>3</sub> | Al <sub>2</sub> O <sub>3</sub> |
| 7 - IMPELLER                            | PP or PVDF                     | PP or PVDF                     |
| 8 - COLUMN                              | PP or PVDF                     | PP or PVDF                     |



**Vertical mag drive centrifugal pumps series HTM-V** are made of thermoplastic materials (**Polypropylene** and **PVDF**) and are suitable to handle chemicals and corrosive liquids. This kind of pump has been designed for a vertical submerged installation, providing high reliability for intank and sump applications. HTM-V are **seal-less magnetic drive pumps** without any kind of labyrinth or mechanical seal. **The column of the pump is hermetically sealed** and it allows complete isolation of the motor, the extension shaft and external magnet of the pump from the process liquid.

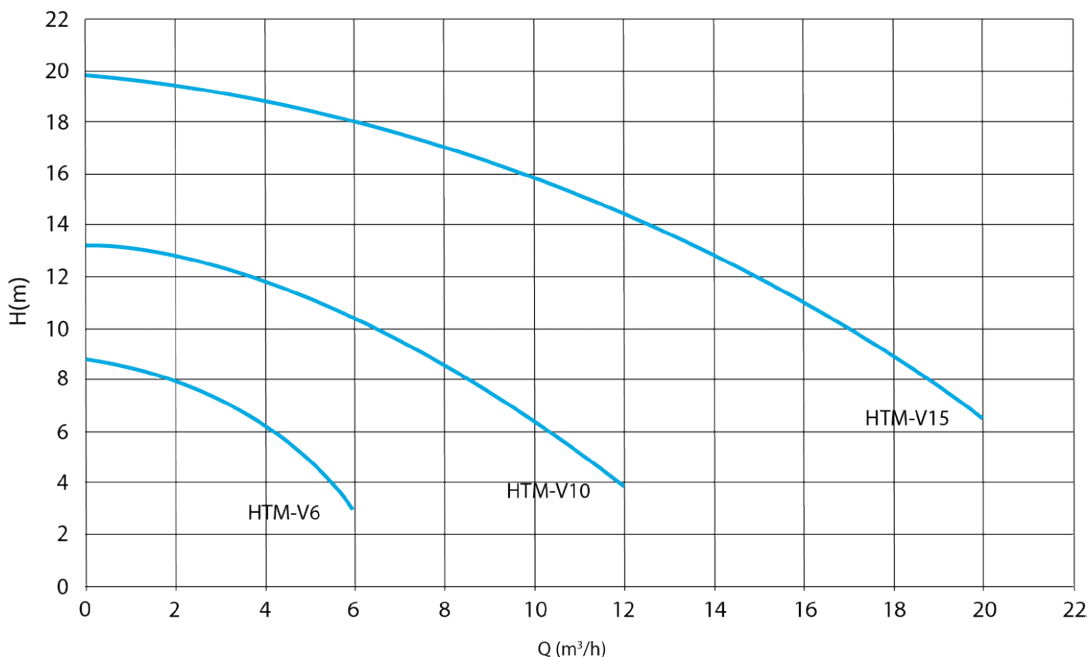
### MAIN FEATURES

- **Materials available:** PP / PVDF.
- **Materials in contact with the liquid:** casing and impeller: PP/PVDF; o-ring: EPDM (standard for PP pumps); VITON (standard for PVDF pumps); shaft: Al<sup>2</sup>O<sup>3</sup> 99,7%; bushing: PTFEC.
- **Max flow:** 22 m<sup>3</sup>/h; **Max head** 20 m.
- **Temperature:** PP: max 70°C – PVDF: max 90°C.
- Compact design, **column length 320mm.**

### OPTIONAL

- Dry running protection device.
- Also available with bracket suitable for NEMA motors.

### PERFORMANCE CURVES 50Hz - 2900 RPM





**GEMMECOTTI SRL**

Via Po 23-25-27  
20031 Cesate MILANO | ITALY  
EUROPEAN UNION

Ph: +39 02.96460406  
info@gemmecotti.com



[www.gemmecotti.com](http://www.gemmecotti.com)

