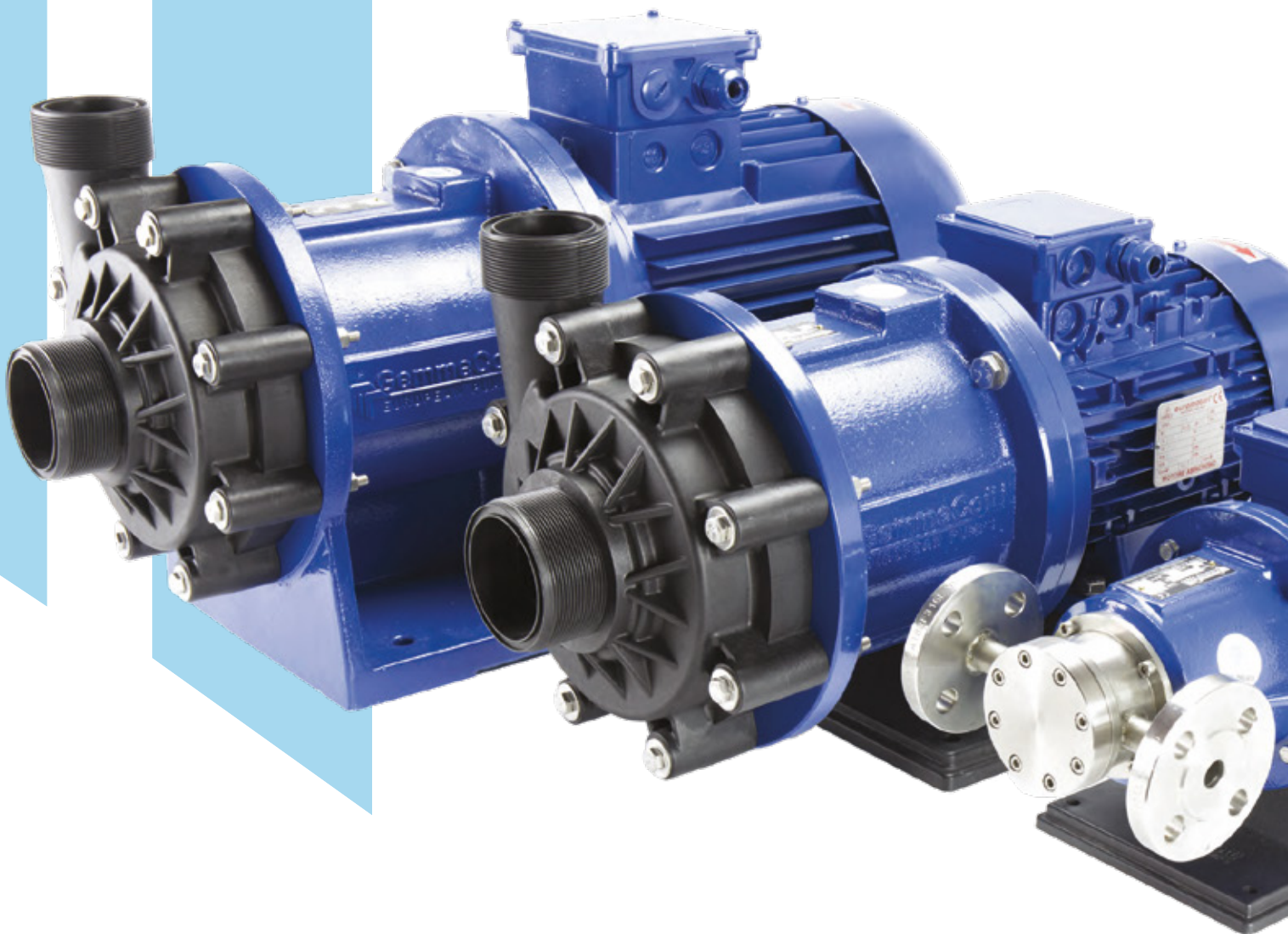


CHEMICAL PUMPS SINCE 1992



# VERTICAL PUMPS

## VERTICAL CENTRIFUGAL PUMPS

Vertical centrifugal pumps are suitable for installations with the pump immersed directly in the tank.

GemmeCotti supplies the following models of vertical pumps:

### HV

- Thermoplastic pumps made of PP or PVDF.
- Capacity up to 40 m<sup>3</sup>/h.
- Head up to 22 m.
- Monobloc pump with semi open-impeller.
- Suitable for high corrosive liquids with solids in suspension.
- Maximum length 1000 mm.

### HVL

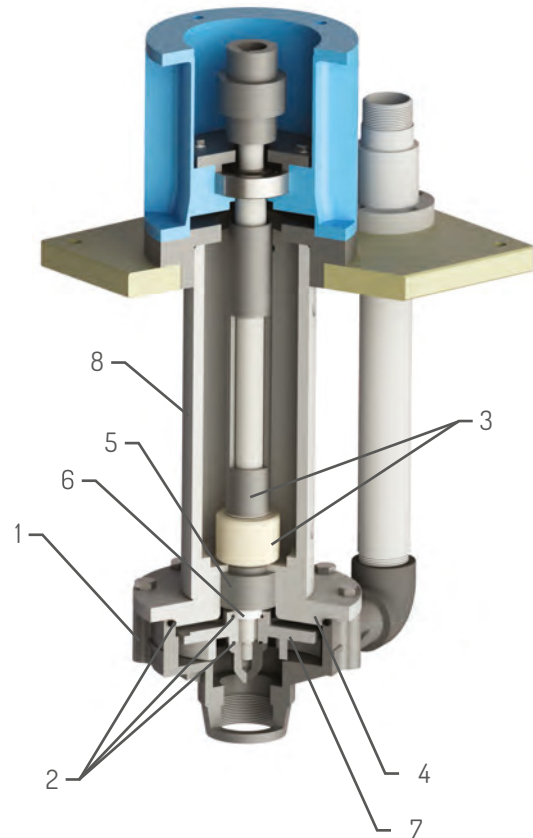
- Thermoplastic pumps made of PP or PVDF.
- Capacity up to 130 m<sup>3</sup>/h.
- Head up to 48 m.
- Centrifugal pump with coupling and semi open-impeller.
- Suitable for high corrosive liquids with solids in suspension.
- Maximum column length 2000 mm.

### PVA

- Vertical centrifugal cantilever pumps.
- Made of AISI316.
- Capacity up to 24 m<sup>3</sup>/h.
- Head up to 26 m.
- Especially designed for the production of PCBs.

### HTM-V

- Vertical magnetic drive pumps.
- Thermoplastic pumps made of PP or PVDF.
- Capacity up to 23 m<sup>3</sup>/h.
- Head up to 20 m.
- Column length: 320 mm.



MATERIALS IN CONTACT WITH THE LIQUID

PART NUMBER - DESCRIPTION	VERTICAL PUMPS	
	HV	HVL
1 - PUMP HEAD	PP OR PVDF	PP OR PVDF
2 - O-RING	EPDM OR VITON	EPDM OR VITON
3-SHAFT COVERING/GUIDE SHAFT COV.	PP	PP
4- COVER	PP OR PVDF	PP OR PVDF
5- BUSHING	PTFEC	PTFEC
6- WEAR BUSHING	Al <sub>2</sub> O <sub>3</sub>	Al <sub>2</sub> O <sub>3</sub>
7- IMPELLER	PP OR PVDF	PP OR PVDF
8- COLUMN	PP OR PVDF	PP OR PVDF



## VERTICAL CENTRIFUGAL PUMPS



### FEATURES

- Centrifugal pump with coupling.
- Materials available: PP, PVDF.
- Max flow: 130 m<sup>3</sup>/h; Max head: 48 m.
- Temperature: PP: max 70°C; - PVDF: max 90°C.
- Suitable for high corrosive liquids containing solids in suspension.
- Length of the column: from 500 to 2000 mm.

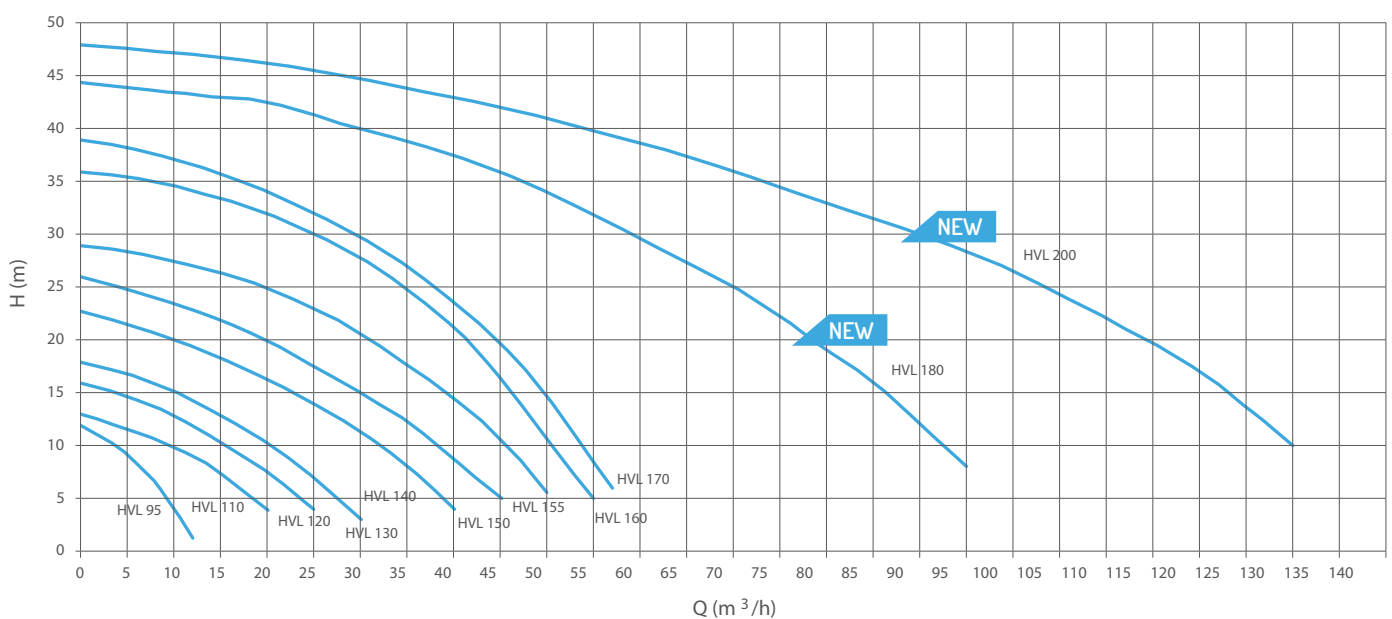
### STANDARD

- Threaded In and Out connections device.

### OPTIONAL

- Dry-running protection device.
- Flanges available.
- Suction strainer.

## PERFORMANCE CURVES 50HZ - 2900 RPM



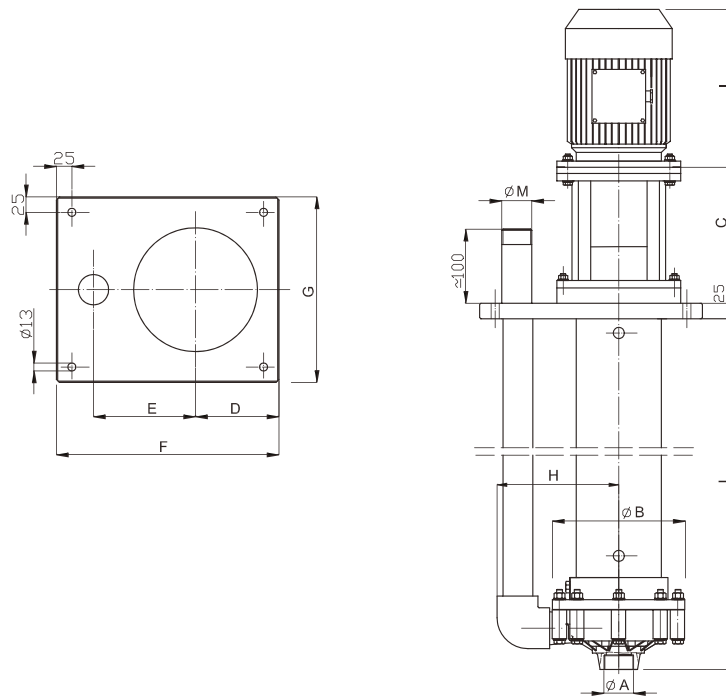


## VERTICAL CENTRIFUGAL PUMPS

### HVL TECHNICAL DATA

PUMP SIZE	MATERIAL	Q MAX		H MAX		SUCTION CONNECTION	DISCHARGE CONNECTION	COLUMN LENGTHS (mm)	SUITABLE MOTOR POWER (Kw) 2900 rpm	MOTOR FLANGE AND FRAME
		50HZ (m <sup>3</sup> /h)	60HZ (usgpm)	50HZ (mcl)	60HZ (ft)					
HVL 95	PP-PVDF	12	62	12	55	2" FEMALE	1 1/2" MALE	from 500 to 2000	0,75	80 2A - B5
HVL 110	PP-PVDF	20	105	13	60	2" FEMALE	1 1/2" MALE	from 500 to 2000	1,1	80 2B - B5
HVL 120	PP- PVDF	25	132	16	75	2" FEMALE	1 1/2" MALE	from 500 to 2000	1,5	90 S - B5
HVL 130	PP- PVDF	30	158	18	90	2" FEMALE	1 1/2" MALE	from 500 to 2000	2,2	90 L -B5
HVL 140	PP- PVDF	40	210	22	105	2" FEMALE	1 1/2" MALE	from 500 to 2000	3-4	100 L - 112 M - B5

### HVL 95 - 110 - 120 - 130 - 140 PP/PVDF DIMENSIONS



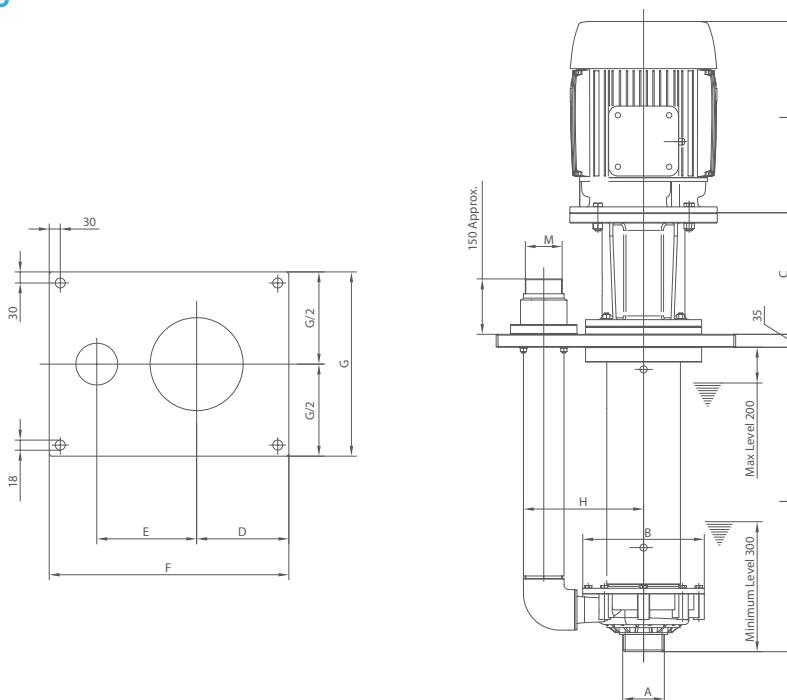
PUMP TYPE	MOTOR B5	KW	DIMENSIONS - mm -										
			ØA	ØM	ØB	C	D	E	F	G	H	I	L
HVL 95	G 80	0,75	2" F	1 1/2" M	215	210	135	165	360	300	196	215	Upon request from 500 to 2000 mm
HVL 110	G 80	1,1				210	230						
HVL 120	G 90 S	1,5				220	255						
HVL 130	G 90 L	2,2				220	280						
HVL 140	G 100	3				230	315						
HVL 140	112 M	4				230	337						

# VERTICAL CENTRIFUGAL PUMPS

## HVL TECHNICAL DATA

PUMP SIZE	MATERIAL	Q MAX		H MAX		SUCTION CONNECTION	DISCHARGE CONNECTION	COLUMN LENGTHS (mm)	SUITABLE MOTOR POWER (Kw) 2900 rpm	MOTOR FLANGE AND FRAME
		50HZ (m³/h)	60HZ (usgpm)	50HZ (mcd)	60HZ (ft)					
HVL 150	PP- PVDF	45	240	26	120	3" MALE	2 1/2" MALE	from 500 to 2000	5,5 - 7,5	132 S2A - 132 SB - B5
HVL 155	PP- PVDF	50	265	29	140	3" MALE	2 1/2" MALE	from 500 to 2000	5,5 - 7,5	132 S2A - 132 SB - B5
HVL 160	PP- PVDF	55	290	36	175	3" MALE	2 1/2" MALE	from 500 to 2000	7,5 - 9,2	132 S - 132 MA - B5
HVL 170	PP-PVDF	57	300	39	180	3" MALE	2 1/2" MALE	from 500 to 2000	9	132 S - B5
HVL 180	PP-PVDF	95	502	44	208	4" MALE	3 1/2" MALE	from 500 to 2000	11 - 22 - 37	160M - 180M - 200L - B5
HVL 200	PP-PVDF	130	687	48	227	4" MALE	3 1/2" MALE	from 500 to 2000	11 - 22 - 37	160M - 180M - 200L - B5

## HVL 150 - 155 - 160 - 170 - 180 - 200 PP/PVDF DIMENSIONS



PUMP TYPE	MOTOR B5	KW	DIMENSIONS - mm -											
			ØA	ØM	ØB	C	D	E	F	G	H	I*	L	
HVL 150	G 132 SA	5,5	3" M	2" M	275	250	170	215	480	380	260	380	Upon request from 500 to 2000 mm	
HVL 150	132 SB	7,5												265
HVL 155	G 132 SA	5,5												250
HVL 155	132 SB	7,5	275											
HVL 160	G 132 SB	7,5	275											
HVL 160	132 MA	9,2	275											
HVL 170	G 132 SB	9	275											
HVL 180	160 M	11	4" M	3-1/2" M	330	330	250	271	650	500	325	531		
HVL 180	180 M	22										645		
HVL 200	200 L	37										760		

\* Different according to the manufacturer



**GEMMECOTTI SRL**

Via A. Volta 85/A  
20816 Ceriano Laghetto MB  
ITALY  
EUROPEAN UNION

Ph: +39 02.96460406

Fax: +39 02.96469114

info@gemmecotti.com  
[www.gemmecotti.com](http://www.gemmecotti.com)

