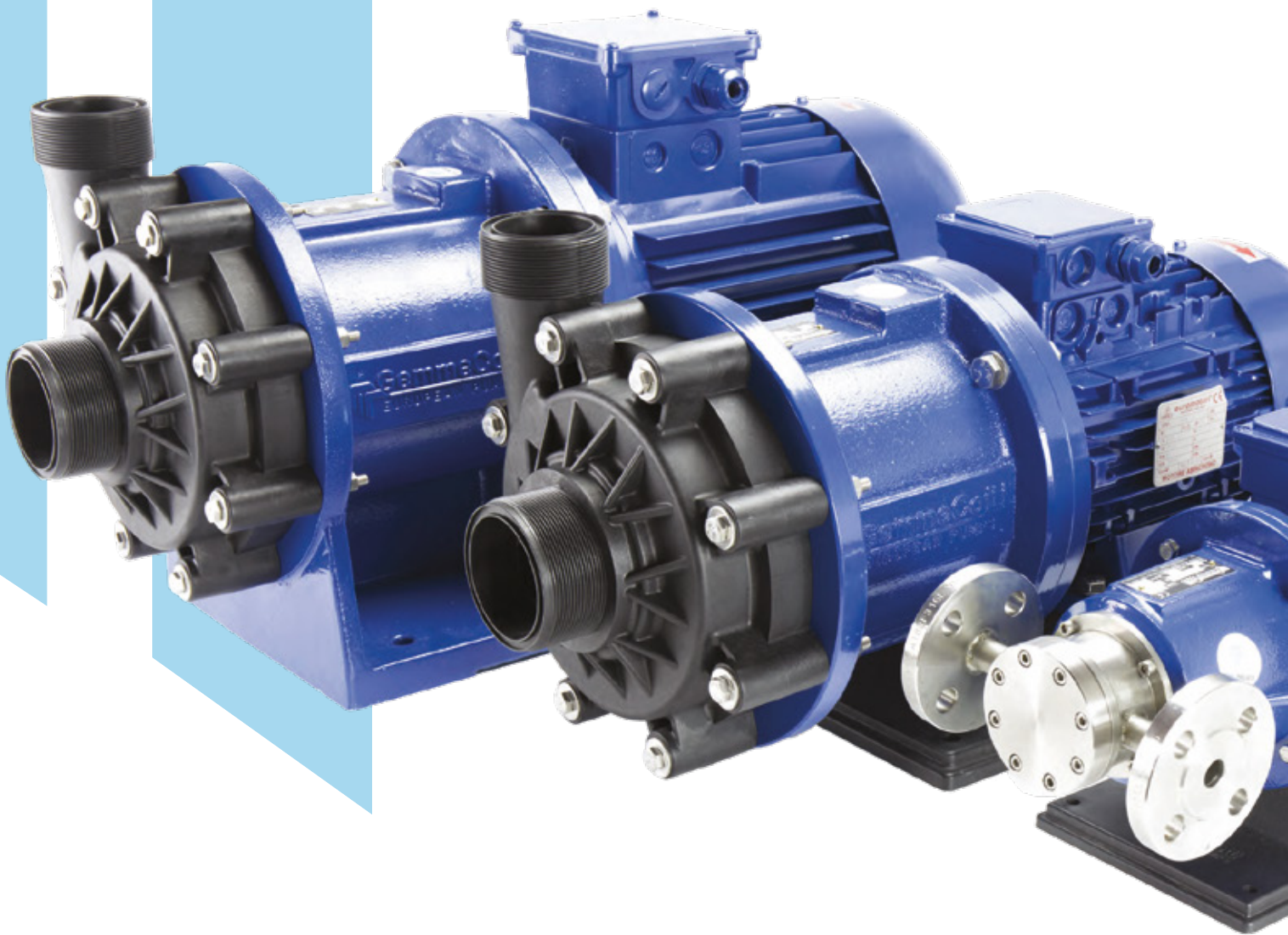


CHEMICAL PUMPS SINCE 1992



MAG-DRIVE TURBINE PUMPS

SEAL-LESS MAG DRIVE TURBINE PUMPS

In seal-less magnetic drive turbine pumps, the external magnet is directly connected to the motor shaft and it transmits the torque to the internal magnet.

The magnetic field created produces a rotation without physical contact between the parts and the turbine spins and moves the fluid. The rear casing is placed between the two magnet joints and it hermetically closes the hydraulic part from the motor.

GemmeCotti supplies three different models of mag drive turbine pumps:

HTT

- Thermoplastic pumps made of PP or PVDF.
- Capacity up to 9 m³/h.
- Head up to 50 mlc.

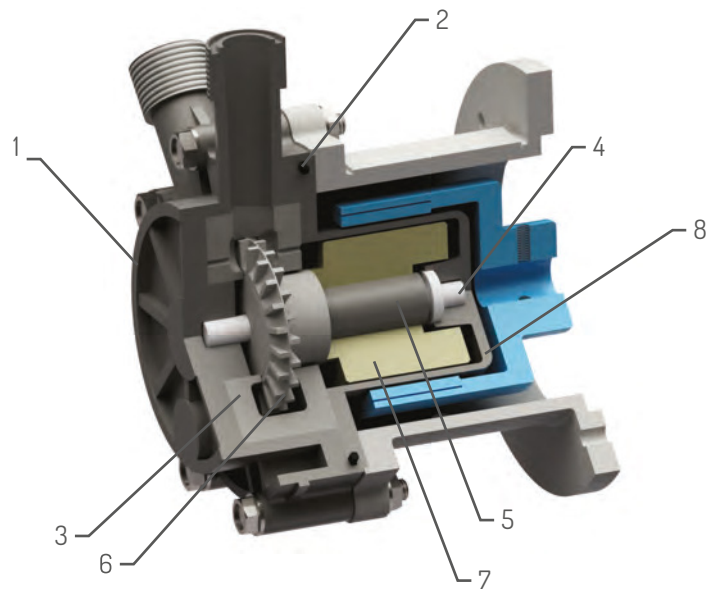
HTT-SP

- Thermoplastic pumps made of PP or PVDF.
- Capacity up to 7 m³/h.
- Head up to 25 mlc.

- Machined from a block.
- Self-priming up to 3 m.

HTA

- Metallic pumps made of stainless steel AISI316.
- Capacity up to 7 m³/h.
- Head up to: 80 mlc.

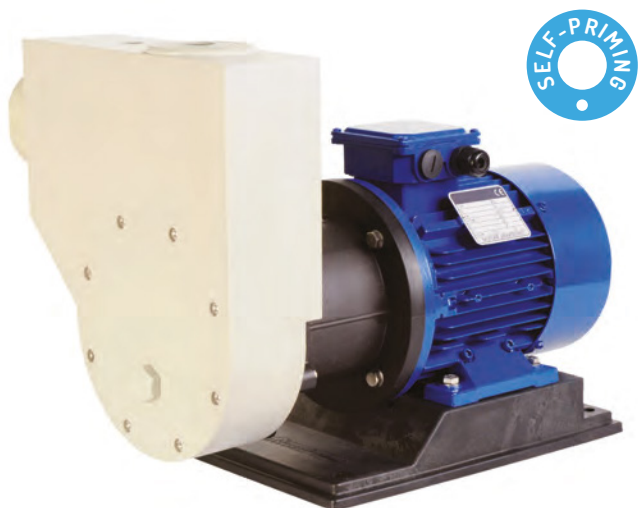


MATERIALS IN CONTACT WITH THE LIQUID

PART NUMBER - DESCRIPTION	TURBINE PUMPS		
	HTT	HTT-SP	HTA
1 - PUMP HEAD	PP OR PVDF	PP OR PVDF	AISI 316
2 - O-RING	EPDM OR VITON	EPDM OR VITON	EPDM OR VITON
3 - FRONT AND REAR DISC	PP OR PVDF	PP OR PVDF	PTFEC
4 - SHAFT + RING	CERAMIC Al ₂ O ₃ 99,7%	CERAMIC Al ₂ O ₃ 99,7%	HASTELLOY-C 276
5 - BEARING	PTFEC	PTFEC	PTFEC
6 - IMPELLER	PVDF	PVDF	AISI 316
7 - INTERNAL MAGNET	PP OR PVDF + NdFeB	PP OR PVDF + NdFeB	AISI 316 + SmCo
8 - REAR CASING	PP OR PVDF	PP OR PVDF	AISI 316



THERMOPLASTIC MAG-DRIVE REGENERATIVE TURBINE PUMPS, SELF-PRIMING



HTT-SP pumps can prime up to 5 m with water at ambient temperature. The casing is made from a PP solid machined block and the impeller in PVDF for maximum chemical resistance. The casing is machined from a solid block. The impeller in PVDF is self-balanced to eliminate thrust bearing wear and it is separate to minimize the maintenance costs. This kind of pump offers maximum resistance withstanding also external corrosion. It handles up to 20% entrained gas and resists cavitation.

MAIN FEATURES:

- Max flow: 6 m³/h; max head 28 m.
- Max temperature: PP: 70°C - PVDF: 90°C.
- High torque magnetic coupling.
- Chemical resistant PTFE/carbon sleeve bearings.
- Static shaft in high purity ceramic.
- Direct starting motor.

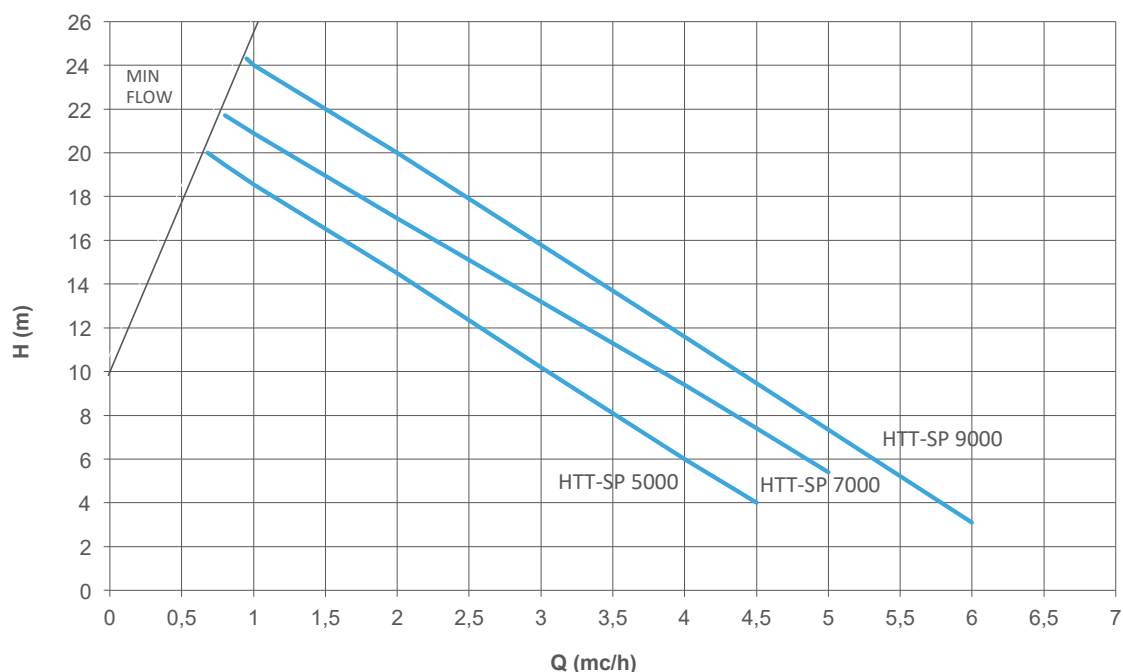
STANDARD:

- High torque magnetic coupling.
- Chemical resistant PTFE/carbon sleeve bearings.
- Static shaft in high purity ceramic.
- Direct starting motors.

OPTIONAL:

- DIN or ANSI flanges available.
- Baseplate.
- Available in ATEX version for zone 2 II3G (pump mod. EM-T SP).

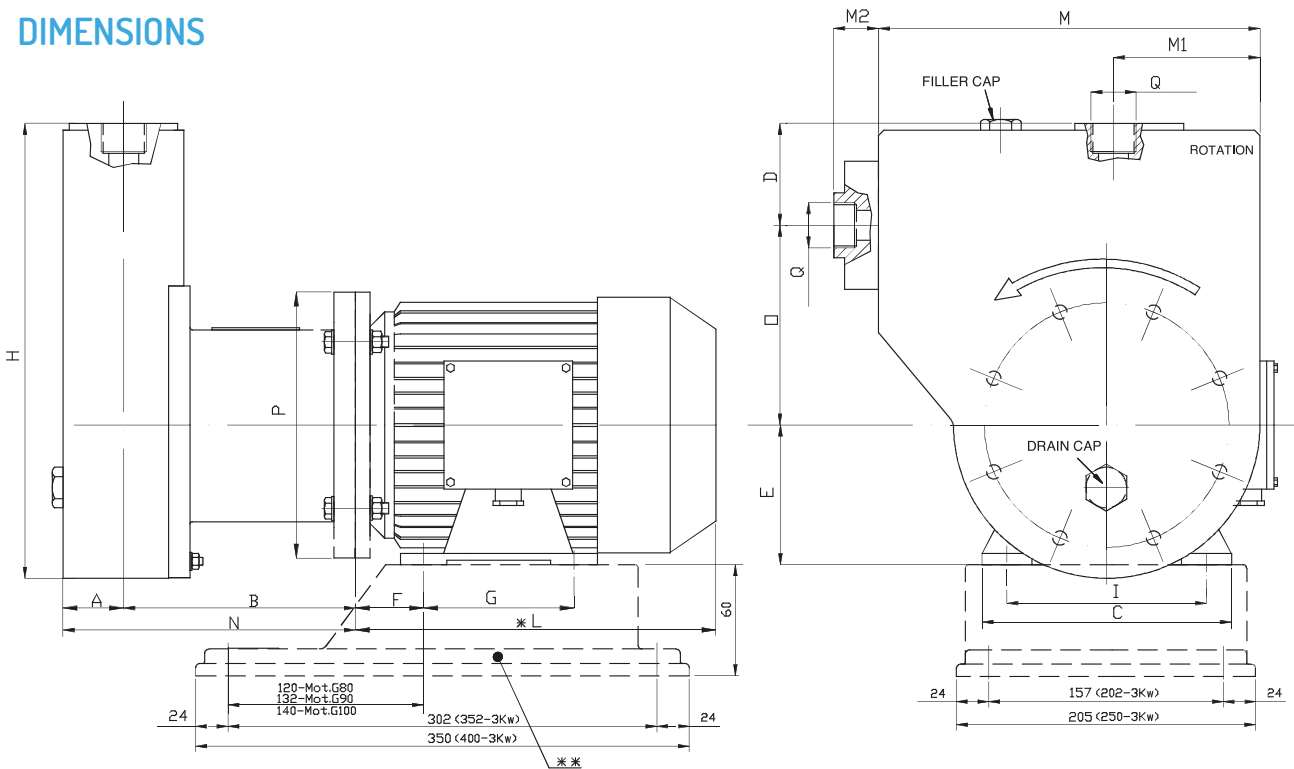
PERFORMANCE CURVES 50HZ - 2900 RPM



HTT-SP TECHNICAL DATA

PUMP SIZE	MATERIAL	Q MAX		H MAX		SUCTION CONNECTION	DISCHARGE CONNECTION	SUITABLE MOTOR POWER (KW) - 2900 rpm	MOTOR FLANGE AND FRAME
		50HZ (M3/H)	60HZ (USGPM)	50HZ (MLC)	60HZ (FT)				
HTT-SP 5000	PP- PVDF	4.5	23	18	90	1" FEMALE	1" FEMALE	0,75	80 - B3/B5
								1,1	80 - B3/B5
HTT-SP 7000	PP- PVDF	5	27	20	98	1" FEMALE	1" FEMALE	1,1	80 - B3/B5
								1,5	90 S - B3/B5
HTT-SP 9000	PP- PVDF	6	32	24	110	1" FEMALE	1" FEMALE	2,2	90 L - B3/B5
								3	90 - B3/B5

HTT-SP DIMENSIONS



PUMP TYPE	MOTOR FLANGE B3 - B5	KW	DIMENSIONS - mm -																
			A	B	C	D	E	F	G	H	I	*L	M	M1	M2	N	O	P	Q
HTT-SP 5000	80	0,75	PP = 45 PVDF = 41	175	160	70	80	50	100	325	125	215	270	97,5	33	PP = 220 PVDF = 216	147	200	1" FEMALE
		1,1										232							
HTT-SP 7000	80	1,1	PP = 45 PVDF = 41	175	160	70	80	50	100	325	125	232	270	97,5	33	PP = 220 PVDF = 216	147	200	1" FEMALE
		1,5										255							
HTT-SP 9000	90	2,2	PP = 45 PVDF = 41	175	170	70	90	56	125	325	140	280	270	97,5	33	PP = 220 PVDF = 216	147	200	1" FEMALE
		2,2										280							
HTT-SP 9000	100	3	PP = 45 PVDF = 41	175	200	70	100	63	140	325	160	340	270	97,5	33	PP = 220 PVDF = 216	147	250	1" FEMALE
		3										340							

* Different according to the manufacturer.

** OPTIONAL UPON REQUEST: Baseplate - Flanges.



GEMMECOTTI SRL

Via A. Volta 85/A
20816 Ceriano Laghetto MB
ITALY
EUROPEAN UNION

Ph: +39 02.96460406

Fax: +39 02.96469114

info@gemmecotti.com
www.gemmecotti.com

