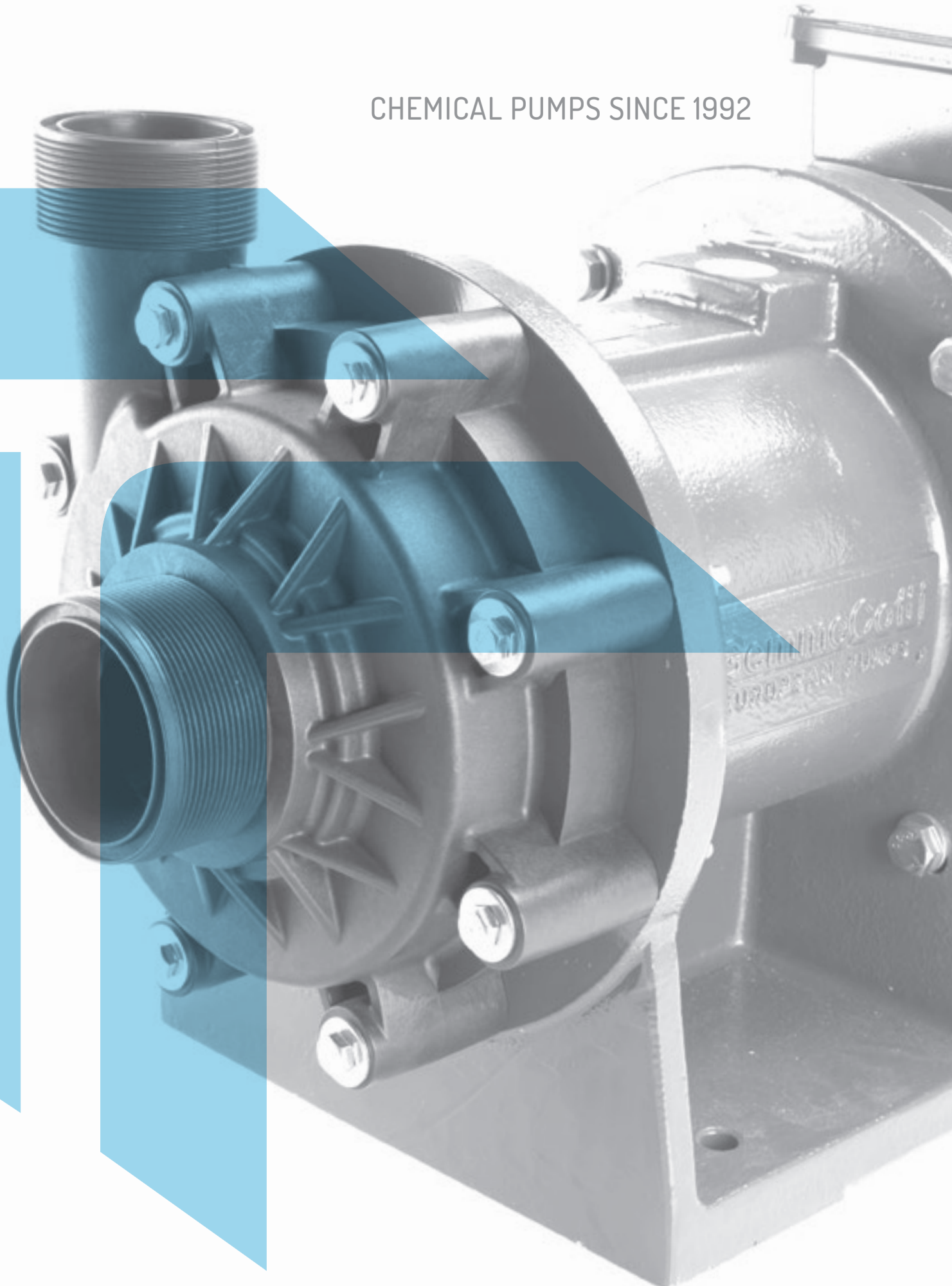


CHEMICAL PUMPS SINCE 1992



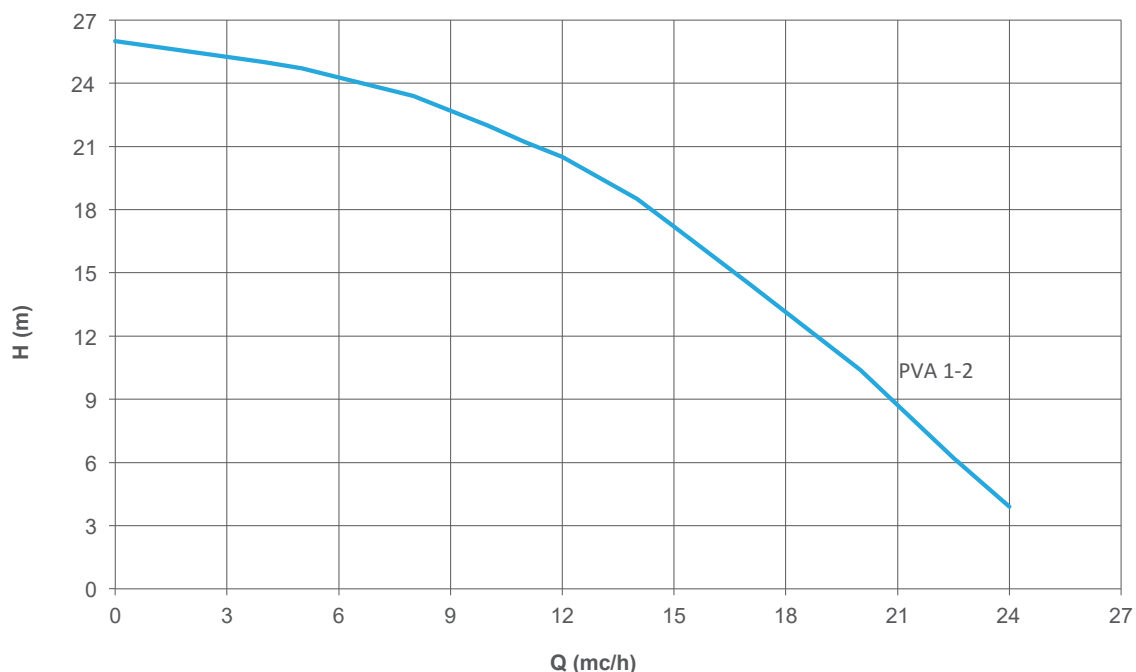
## CENTRIFUGAL VERTICAL CANTILEVER PUMPS



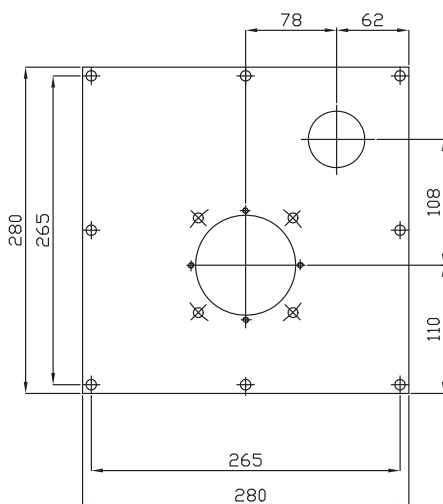
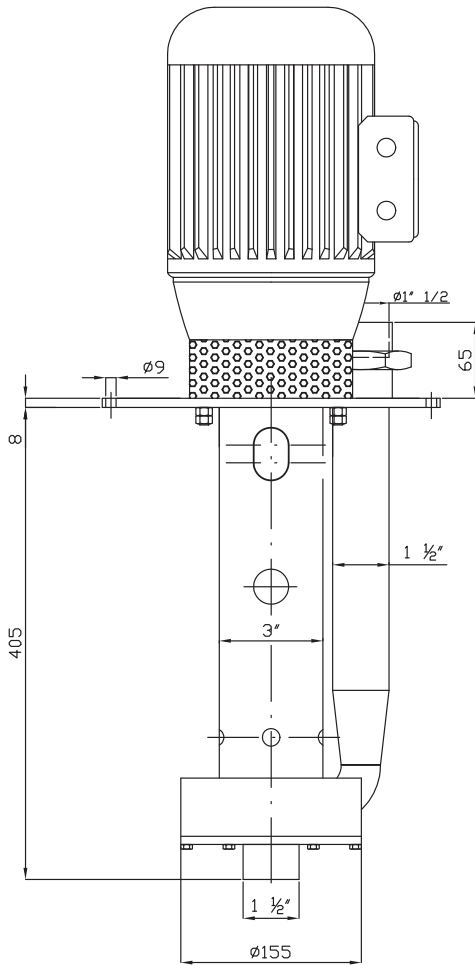
### FEATURES

- Materials available: AISI 316 or Titanium.
- Max flow: 24 m<sup>3</sup>/h. Max head: 26 m.
- Fume labyrinth seal. A combined system of labyrinth, rings and PTFE lip seal guarantees tightness against gas and vapours.
- Impeller with low axial thrust.
- Suitable for corrosive liquids containing solids.
- Especially designed for use in the production of printed circuit boards (PCB).  
AISI 316 version is suitable for potassium permanganate applications at 90°C.  
Titanium version is suitable for "Black Oxide".
- Two different types available: PVA 1 for tank transfer and PVA 2 used as a boosting pump. PVA 2 model should be installed in the same tank where PVA 1. This provides a tight system which prevents any leaks.

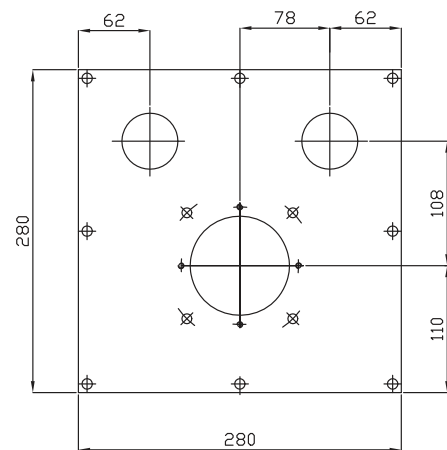
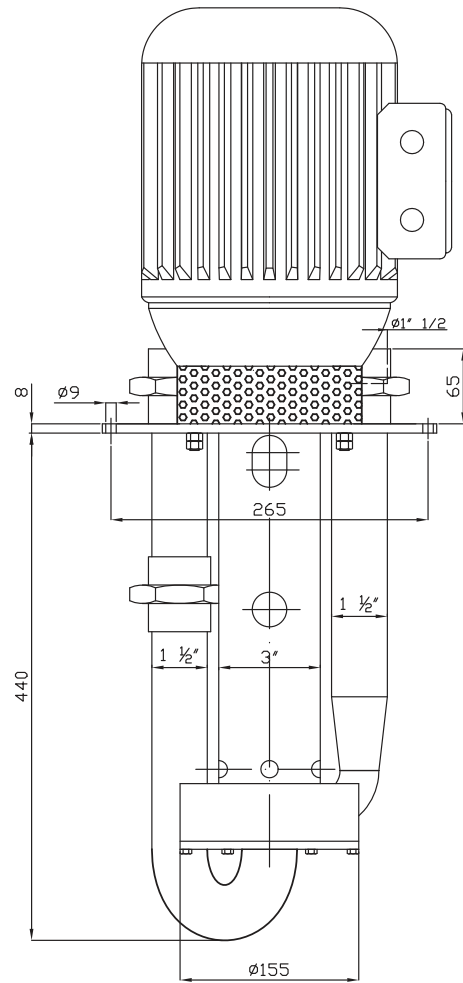
### PERFORMANCE CURVES 50HZ - 2900 RPM



## PVA 1 DIMENSIONS



## PVA 2 DIMENSIONS





**GEMMECOTTI SRL**

Via A. Volta 85/A  
20816 Ceriano Laghetto MB  
ITALY  
EUROPEAN UNION

Ph: +39 02.96460406  
Fax: +39 02.96469114

info@gemmecotti.com  
[www.gemmecotti.com](http://www.gemmecotti.com)

