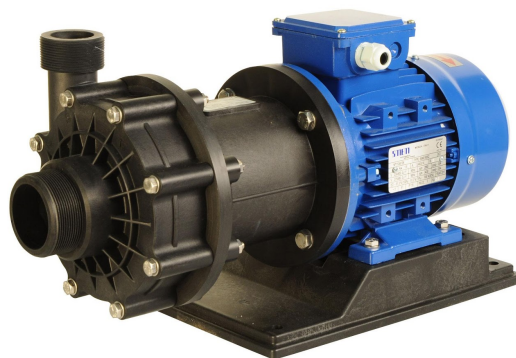




## **HCO PUMPS**

*Open Impeller Mechanical seal centrifugal pumps*



# **INSTALLATION, OPERATION AND MAINTENANCE MANUAL**

**(SAFETY INSTRUCTIONS)**

---

**INDEX**

<b>1. INTRODUCTION.....</b>	<b>4</b>
<i>1.1 General</i>	<u>4</u>
<i>1.2 Purpose of the manual</i>	<u>4</u>
<i>1.3 Warning symbols for safety</i>	<u>4</u>
<i>1.4 Qualification and training of the personnel</i>	<u>4</u>
<i>1.5 Explosive atmosphere zones</i>	<u>5</u>
<b>2. INSTALLATION</b>	<b>5</b>
<i>Preliminary remarks</i>	<u>5</u>
<i>2.1 Safety general warnings</i>	<u>5</u>
<i>2.1.1 Introduction about danger</i>	<u>5</u>
<i>2.1.2 Indications of danger</i>	<u>5</u>
<i>2.2 Receipt and Inspection</i>	<u>6</u>
<i>2.3 Storage</i>	<u>7</u>
<i>2.4 Installation</i>	<u>7</u>
<i>2.5 Hydraulic system</i>	<u>7</u>
<i>2.6 Pipes connection</i>	<u>7</u>
<i>2.7 Monitoring equipment</i>	<u>8</u>
<i>2.7.1 Control of pump in explosive atmosphere zones ATEX ZONE 2</i>	<u>8</u>
<i>2.8 Motor connection</i>	<u>9</u>
<b>3. OPERATION</b>	<b>10</b>
<i>3.1 Use and safety</i>	<u>10</u>
<i>3.2 Dry-running</i>	<u>11</u>
<i>3.3 Temperature</i>	<u>11</u>
<i>3.4 Before starting</i>	<u>11</u>
<i>3.5 Starting</i>	<u>12</u>
<i>3.6 Optimum conditions for use</i>	<u>12</u>
<i>3.7 Shut down</i>	<u>12</u>
<i>3.8 Long pump inactivity</i>	<u>13</u>
<i>3.9 Noise level</i>	<u>13</u>
<b>4. MAINTENANCE</b>	<b>13</b>
<i>4.1 General dispositions</i>	<u>13</u>

---

<u>4.2 Inspections</u>	<u>14</u>
<u>4.3 Procedure before disassembly</u>	<u>14</u>
<u>4.4 Disassembly</u>	<u>15</u>
<u>4.4.1 Main parts</u>	<u>15</u>
<u>4.4.2 Disassembly the pump from the motor</u>	<u>16</u>
<u>4.5 Assembly</u>	<u>17</u>
<u>4.6 Motor replacement</u>	<u>18</u>
<u>4.7 Tightening torque</u>	<u>18</u>
<b><u>5. PROBLEM SOLUTIONS</u></b>	<b><u>18</u></b>
<b><u>6. SPARE PARTS</u></b>	<b><u>19</u></b>
<u>6.1 How to order spare parts</u>	<u>19</u>
<b><u>7. DATA</u></b>	<b><u>20</u></b>
<u>7.1 Performance curves</u>	<u>20</u>
<u>7.2 Dimensions</u>	<u>21</u>
<u>7.3 Technical data and limits</u>	<u>22</u>
<b><u>8. WARRANTY AND REPAIR</u></b>	<b><u>22</u></b>
<u>8.1 Warranty</u>	<u>22</u>
<u>8.2 Returned parts and repair</u>	<u>24</u>
<u>8.3 Decontamination Declaration (facsimile)</u>	<u>25</u>
<u>8.4 CE Certificate for pumps series HCO PP/PVDF</u>	<u>26</u>

## 1. INTRODUCTION

### 1.1 General

This manual refers to mechanical seal centrifugal pumps series HCO. Pumps HCO are made of thermoplastic materials (Polypropylene or PVDF) and can be of different sizes. Dimensions and capacities available are described in paragraph 7.0.

### 1.2 Purpose of the manual

The main purpose of this manual is to assure that the activities of installation, operation and maintenance of the pumps are executed in a correct and safe way by all the personnel in charge of these operations. This document offers also indications useful for the customer to solve the problems, order spare parts and contact GemmeCotti repair service.

### 1.3 Warning symbols for safety



This symbol indicates a possible danger caused by the presence of electrical fields, contacts or wires with electric current.



All the symbols with the exclamation mark indicate an important situation that needs the attention of the personnel. In particular, these are indications useful for the correct functioning and prevention of possible damage to the equipment.



This symbol signals a danger or a situation that requires the maximum attention of the personnel. It's important to respect the instructions stated at the margin of this symbol and proceed very carefully. It's necessary to inform all the personnel and/or users that the rules indicated prevent injuries.

### 1.4 Qualification and training of the personnel



Those in charge of the installation, operation and maintenance of the pumps have to be qualified to carry out the actions indicated in this manual. GemmeCotti is not responsible for the inadequate qualification and training of the customer's staff or for the lack of information of the staff regarding the contents of this manual. It's compulsory to always show this manual to the workers in charge of the installation, operation and maintenance of the pump. Keep this manual in a safe place for future consultations.

## 1.5 Explosive Atmosphere Zones

HCO PP/PVDF pumps CANNOT be used in explosive atmospheres. These uses require special pumps that GemmeCotti manufactures with particular materials and precautions. Customers who want to use special pumps in these kind of zones have to contact the GemmeCotti technical office for the correct choice of the product.

The pumps, manufactured by GemmeCotti, for these kind of applications belong to the series EM-C or EM-T or EM-P.

Pump model EM-C, EM-T e EM-P in PP or PVDF can be used only for Atex zone2, II3G. Please refer to paragraph 2.7.1 for further instructions.

**WE REMIND YOU THAT THE CLASSIFICATION OF THE ZONE (REF. ATEX 2014/34/EU FORMER 94/9/CE DIRECTIVE) FOR POTENTIALLY EXPLOSIVE ATMOSPHERE ZONES HAVE TO BE DONE BY THE CUSTOMER AND COMMUNICATED TO GEMMECOTTI FOR THE RIGHT CHOICE OF THE KIND OF PUMP SUITABLE TO WORK IN THESE ZONES.**

Furthermore, the customer is responsible of the correct installation of the pump in accordance with the requirements stated in the Directive.

## 2. INSTALLATION

### *Preliminary remarks*

All the references to the pumps have to be considered applicable also to systems that use these pumps unless it's specified otherwise.

### *2.1 Safety general warnings<sup>1</sup>*

#### *2.1.1 Introduction about danger*



**ATTENTION:** the non-observance of the indications stated in this manual or the inappropriate use of the equipment by unqualified or unauthorized staff, can cause serious personal injuries or death and damages to products and apparatus!

The technical assistance office is at the complete disposal; in case of doubts or problems you can contact us by phone (Number +39 02 964.60.406) or write an email to [info@gemmecotti.com](mailto:info@gemmecotti.com). It's strongly recommended that you keep GemmeCotti written answer.

#### *2.1.2 Indications of danger*



For the safety of those in charge of the installation of the pump it's necessary to use safety clothing and individual safety devices approved by the current provisions of the law (e.g. Safety glass, gloves and safety insulating-shoes)

<sup>1</sup> If these warnings are not observed the Certification and the Warranty of the pump can be invalidated



These pumps have been designed and manufactured to be used in specific conditions and within defined limits. The use outside these specifications has to be agreed and approved by GemmeCotti technical service. **It must be considered also that, if the pumps are used outside their technical specifications, the CE Certifications and the warranty are no longer valid. Furthermore, if the pump is used outside the technical specifications communicated to us at the moment of the quotation and confirmed in our order confirmation, the customer becomes responsible for the issue of a new CE Certification.**



The pump has to be used only for the applications specified in the order for which GemmeCotti has selected the model, the materials of construction and has tested the pump to respect the specifications. For other uses different from those stated in the order, the customer has to send always a written request to GemmeCotti technical office, which on its part will reply in a written form.



There will not be any warranty for repairs or alterations on the product done by the users or third parties not specifically authorized by GemmeCotti.

Always shut down the pump before touching or proceeding with any intervention on it or on the circuit of installation. The pump must be empty of pumped liquid and it must be completely decontaminated and successfully rinsed with water before any manual operations or disassembling.

Make sure that the electrical system to which the pump will be connected has the adequate power and has the correct protection devices (e.g. Grounding, Life safe).



Always switch off the electrical supply before working on the pump for maintenance or part substitution.

Always keep an extinguisher next to the pump installed.



Always pay maximum attention in the execution of maintenance activities on pumps and on the connected circuits when they are used with dangerous liquids.

The use of an electric starter is recommended. A simple switch can be insufficient to start and stop the electric motor connected to the main electric system.

An appropriate starter:

- can prevent accidental starting after a failed attempt to start:
- is a safe switch, protected against water:
- protects the electric motor against overloads due to a short circuit (a fuse protects only the wires);
- resists against starting in overload on the motor, preventing dangerous electric arc and early wear of the electrical contacts.



## 2.2 Receipt and Inspection

Even if GemmeCotti takes all the necessary precautions during the packaging, we suggest that you carefully check the received material. Check for any missing parts caused by the courier and/or by GemmeCotti.

Check the data on the label of the received pump and compare it with those relative to your purchase order.

If the pump has been supplied with the motor, remove the protective shield from the fan of the motor and try to rotate the motor shaft by hand. If you feel a strong resistance to rotation or if you hear anomalous noises call your reliable reseller or call the GemmeCotti assistance service directly. Reassemble the protective fan shield before starting the pump.

### 2.3 Storage



If the pump is kept in the warehouse make sure that it's placed in a dry and protected position; always use the original package or an equivalent protection. If the pump has to remain stored for a long period and/or in particularly damp places the use of hygroscopic substance (silica gel) is recommended to prevent damages.



Don't remove the protections of the flanges until the installation and close, if they are not closed already, the discharge and suction pump connections to prevent the intrusion of foreign bodies.



Be informed that a long period of storage of the pumps can provoke:

- deterioration of the isolation of the motor due to absorption of dampness
- deterioration of the gaskets

### 2.4 Installation



GemmeCotti s.r.l. is not responsible for injury to people or damage to things caused by the wrong installation of the pump or installation executed by non-qualified personnel.

Install the pump in a position that guarantees a simple use.



The unit motor/pump has to be fixed on a rigid structure that will enable the support of the entire structure. Make sure that the pump is fixed on a plane surface, in this case use shims under the base-plates of the motor. If necessary use “bumpers” to reduce vibrations towards the fixing surface.

### 2.5 Hydraulic system

The pump is generally part of a hydraulic system that can include a various number of components such as, valves, fittings, filters, expansion joints, instruments, etc. The way the piping is arranged and the position of the components has a great influence on the operation and on the life of the pump.

### 2.6 Pipes Connection <sup>2</sup>



Locate the pump as near as possible to the liquid source and under the level of the liquid (under head).

<sup>2</sup> If these warnings are not observed the Certification and the Warranty of the pump can be invalidated

---

Always use pipes as short and straight as possible and limit the number of bends assuring radius of curvature as large as possible. Avoid air siphon that can be created in the long piping line. Avoid the creation of siphon also before the suction of the pump.



The piping should be properly supported and kept in line independently from the pump, until its connections, so that the piping doesn't exert loads on the pump.



The sizes of the suction and discharge pipes have to be at least as large as the inlet connection of the pump. Diameter restriction of the suction pipe is responsible and cause of the cavitation of the pump, creating a loss in the performance of the pump and a rapid wear. It's advisable always to use (if in case) flexible reinforced pipes that don't collapse under a situation of depression.



The suction line has to be clean and/or contain a filter to protect the impeller from damage due to impurities, or other foreign particles, especially when starting the plant for the first time.

Don't use metallic piping with plastic pumps.

Don't use tools to connect piping to plastic pumps. Make sure that the connections are properly tightened otherwise the suction capacity will be reduced.



The installation of a proper pressure gauge on both the suction and discharge piping is recommended. The installation of gauges allows an easy control of the correct functioning of the pump in relation with the required working point. In case of cavitation or other dysfunctions, the gauges will show evident pressure fluctuations.

## **2.7 Monitoring equipment**

According to the importance of the pumping system, it could be useful to maintain a strict control of the performances and conditions of the process. The use of instruments to monitor the pressure of the suction and discharge circuit is recommended.

Even the monitoring of the electric power absorbed by the motor is possible using a wattmeter.



If the temperature of the pumped liquid represents a critical element install in the system a thermometer, preferably on suction line.

These control instruments can advise of abnormal operating conditions of pumps such as: accidentally closed valves, missing liquid, overloads etc.

### **2.7.1 Control of pump in explosive atmosphere zones ATEX ZONE 2**

In addition to the general warnings stated in this manual, special pumps used in potentially explosive areas have to be installed with control equipment specified in this paragraph to maintain a strict monitoring of the performances and process conditions. The control equipment mounted near the pump has to be certified for the same hazardous zone as the



pump installed unless it's protected by an airtight closure cabinet also certified.

The installation of pumps type EM-(C-T-P) for use in potentially explosive areas has to follow the rules stated in the ATEX 2014/34/EU Directive.

In particular the requirements referred to the manufacturer applicable to apparatus of Category 3 of Group II (explosive atmosphere due to gas, vapours or mists presence) are the following:

the devices have to be designed and manufactured so that they avoid trigger sources predictable during normal functioning.

During expected functioning conditions, the surface temperatures must not exceed the maximum design temperatures indicated in paragraph 3.1. An eventual overcoming is endurable, in exceptional cases, if the manufacturer adopts extra special protections.

To avoid overloads on the pumps due to impurities or solid particles in the pumped liquid, the use of a filter in the suction line is strongly recommended. This filter has to be regularly checked to avoid obstruction.

If unacceptable working conditions are revealed, the pump has to be automatically stopped and checked.

The pump is equipped with a conductive ring and so with an accurate ground connection of the ring there can't be unwanted electrostatic charges, sources of explosion trigger.

Pumps supplied for ATEX zone 2 must be coupled to suitable Ex-proof motors.

## 2.8 Motor connection

Check that the tension and frequency printed on the label of the motor correspond to those of the electric system to be used.

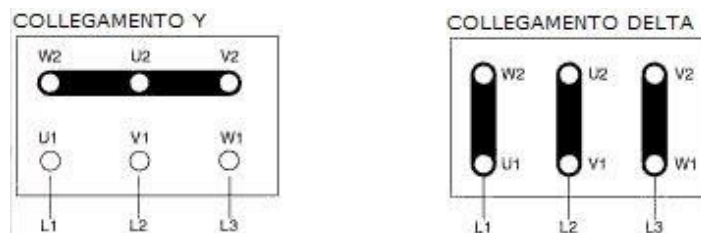


Don't connect the electric motor directly to the main system but protect the dedicated system with a suitable main switch with adequate safety protections against overloads.

The electric connections have to be always carried out by an expert qualified electrician.



The motors have to be supplied with three-phase tensions or if required by the customer, with single phase tension. The type of connection of the three-phase motors can be Star (Y) or Delta ( $\Delta$ ) according with the power supply 380 or 220 VAC (see picture 1).



Picture 1



Make sure that the sense of rotation of the motor is that specified on the pump head and eventually indicated by a sticker arrow on the motor fan; to change the sense of rotation it's sufficient to change two of the three entering line (E.g . L1 with L2) in three-phase motors.



Remove the engine cover and make sure that the Belleville washer is positioned on the fan side. If not, move it to the correct position.

Read the following instructions to change the sense of rotation:

- wear individual homologated protection devices (e.g. Gloves, glasses)
- make sure that the operating conditions are analogous to the specifications of the pump (see paragraph 7)
- install the pump in the hydraulic system
- open the suction and the discharge valve completely;
- fill the pump with the liquid. It' s recommended to perform this test with an inert liquid like water
- do not run the pump dry
- start the motor only for one or two seconds to check that the sense of rotation is in the same direction of the arrow on the pump head or on the motor and on the technical drawing of the pump (the sense of rotation is clockwise looking at the front of the pump and counterclockwise looking at the motor fan).



NOTE: a pump turning backwards (wrong rotation sense) will pump but at a greatly reduced capacity and pressure

### 3. OPERATION

#### 3.1 Use and safety

##### **ATTENTION:**

Dangerous or hazardous actions can cause serious injuries or death to people or serious damage to materials and so it's important to assure the respect of all the warnings relative to the safety and the correct use written in this manual.



Verify always that the pumped liquid is compatible with the materials of construction of the pump. For any clarification please contact GemmeCotti technical office.



In case of use for pumping aggressive, toxic liquids or liquids dangerous for the health of the personnel, it's necessary to install on the pump an adequate protection for the containment, the collection and the warning of any dangerous product in case of leakage: e.g. DANGER OF POLLUTION, CONTAMINATION, INJURIES AND/OR DEATH



Do not reduce the suction. Reduction of the suction is responsible of the cavitation of the pump, which causes a loss of efficiency and a rapid wear. Reduction of the discharge are not advisable, if required, reduction of the capacity can be obtained by means of a valve installed on the discharge pipe.

Do not loosen the connection of the pump while it's under pressure.



Do not start and/or use the pump if there are signs of leak in the system.

The working temperatures have to respect the characteristics of the construction materials of the pump:



- 0- 60 °C polypropylene execution (PP)
- 0- 80° C PVDF execution



**DO NOT ALLOW THE PUMP TO RUN DRY** (note: the pump design doesn't allow the dry-running functioning because it will damage irrevocably the inner parts of the pump)



An accidental failure can generate sprinklings up to considerable distances.



In case of vibrations or anomalous noises, stop the pump immediately .



Do not pump inflamed liquids.



Do not touch the pump while operating.



Before touching the motor or the bracket switch off the electric current.

### 3.2 Dry-running



Fill the pump with water or with the liquid to be pumped before starting the unit. This will protect the bearings and the shaft of the pump against dry running. **DO NOT ALLOW THE PUMP TO RUN DRY** because this can cause serious damage to the internal parts of the pump due to the lack of the necessary lubrication.

### 3.3 Temperature



Increasing the temperature of the pumped liquid can damage the pump and/or the piping/fittings and there can be a situation of serious danger for the people in the nearby.

Avoid sudden changes of the temperature and do not exceed the temperature specified in your order. See the value of temperatures of the construction materials of the pumps in the paragraph 3.1.

### 3.4 Before starting

Make sure that the pump is installed in accordance with the instructions supplied in the previous section 2.



When the pumping station is new, it's necessary to fill the system with water to control that there are no leaks. **WHEN THE PUMP IS INSTALLED OVER HEAD IT HAS TO BE PRIMED, THIS MEANS THAT IT HAS TO BE FILLED WITH THE LIQUID AND**

---

**THE SUCTION PIPING HAS TO BE KEPT FULL OF LIQUID BEFORE STARTING THE PUMP.**



**ATTENTION:** some liquids react with water. **VERIFY IF THE LIQUID TO BE PUMPED REACTS WITH WATER. IN THIS CASE THE SYSTEM HAS TO BE COMPLETELY EMPTIED AND DRIED.**

### 3.5 Starting

Start the electric motor and gradually open the discharge pipe until you reach the required flow.

The pump can't operate more than two or three minutes with the discharge closed. A longer period can cause serious damage to the pump.

If the pressure shown on the pressure gauge on the discharge piping does not increase, stop the pump immediately and release the pressure carefully.

Repeat the operation of installation of the pump as in paragraph 2.

If during the starting procedure there are changes of flow-rate, of density, temperature or viscosity of the liquid, stop the pump and contact GemmeCotti technical service.

### 3.6 Optimum conditions for use

Operating continuously at the maximum performances (maximum capacity/head) there can be an early wear of the pump. As a general rule, we recommend using the pump at half of its maximum capacity (see the paragraph relative to the technical data)

In any case do not allow the pump to work out of curve.



The capacity and the head of the pump refer to water pumping at room temperature. If it pumps high temperature liquids or other viscosities and densities, the performances have to be proportionately decreased. Pumps of series HCO work well with liquids having a viscosity up to 100 CPS<sup>3</sup> and specific gravity up to 1.9<sup>3</sup>. **HOWEVER BOTH THE VISCOSITY AND THE SPECIFIC GRAVITY HAVE TO BE COMMUNICATED AT THE MOMENT OF QUOTATION.** The electric motor is selected for the viscosity and the specific gravity communicated. In the case of higher values, the power of the motor could be insufficient.

### 3.7 Shut down

Normally the pump should be shut down only after closing the discharge valve. If the suction valve is closed before the other, cavitation of the pump can occur.

If the suction is flooded, close the valve after shutting down the pump.



In some cases the pump can be used to empty tanks, in these situations the liquid can stop flowing in the pump while this is still working. In these cases a pump operating without

---

<sup>3</sup> The values indicated are merely indicative and can vary in the series of pumps mod. HCO

---

liquids (that means dry-running) can be dangerously damaged if it's not stopped immediately. For such applications the use of automatic equipment or the constant presence of a person who can shut down the pump is recommended.

### 3.8 Long pump inactivity



If the pump has to remain inactive for a long period, before stopping it, it's recommended to let water flow in the system for several minutes so that you avoid any risk of internal deposits or sediments or precipitations of solid parts. Drain the liquid in the pump. An eventual freezing of the liquid inside the pump can cause damage. Always verify if the pumped liquid reacts with water. In this case contact GemmeCotti to find an alternative solution.

If the pump is temporary removed from the system and kept in stock, it's necessary to follow the instructions of paragraph 2.3 "Storage".

### 3.9 Noise level

In some circumstances, for example when the pump works with high pressure and low capacity the noise increases and can be disturbing for the personnel working in the proximity. In this case it's possible to intervene with:



- earplugs;
- protective homologated caps against noises for the personnel in the proximity;
- soundproofing canopy for the pump. In these cases make sure that the motor ventilation is guaranteed.

## 4. MAINTENANCE

### 4.1 General dispositions



During the warranty period extraordinary maintenance is allowed only for GemmeCotti personnel or personnel authorized by GemmeCotti. All the operations described in the paragraphs below have to be done exclusively by qualified staff and following step by step all the warnings written in this manual.

In case of ordinary maintenance (as indicated in paragraph 4.2) the customer is responsible for the correct assembly and disassembly of the pump. The warranty is no more valid if the pump is manipulated/sabotaged, the parts used for the maintenance are not GemmeCotti original or in case of operations not in compliance with the instructions indicated in this manual.

During ordinary maintenance the customer should check the absence of leakage (through hydrostatic tests, paying attention to respect the NP of the pump.), the mechanical seal is intact and the correct bearing placement and the right functioning of the pump. For the tightening torque of the screws please refer to paragraph 4.7. Pay attention also to avoid ruining the o-ring when mounting it.



Clean the external surface of the pumps using only antistatic equipment.  
Every operation executed on the apparatus has to be done after the disconnection of electric supply.



Use exclusively a goods lift to move pumps with weight higher than 16 kg. During the movements of the machine or parts of the machine avoid collisions or falls which can damage the apparatus.



Before disassembling the parts of the pump, make sure that the dangerous internal liquids have been removed /washed. **THE PUMP HAS TO BE DRAINED AND DECONTAMINATED.**



Pay attention that some internal liquids can have dangerous reactions in contact with water.



During the operations of unloading of dangerous liquids make sure that situations of danger for people or environment don't occur.

## 4.2 Inspections

In general mechanical seal pumps do not need a “routine” maintenance and most of all they don't require frequent dismantling.

However periodical inspections are advisable to verify the state of wear of the impeller, the shaft, the o-rings and the bearings and if the general conditions of the internal parts of the pump are good.

The time between the inspections is strongly dependent on the operation conditions of the pump: the characteristics of the liquid, the temperature, the materials used and obviously the period of operation.

After the first start-up of the pump we strongly recommend an inspection of the bearings after 3 months of functioning. If the inspection has positive results, we recommend a second check after further 6 months. The following inspection can be scheduled after another year of functioning (about 2000 working hours of the pump). In any case it is advisable to replace the bearings in PTFEC every 2000 hours of functioning of the pump. All the other components can be replaced only when they show signs of wear.

If a problem occurred or the pump needs a complete inspection see section “Problem solutions” and “Pump disassembly”.

## 4.3 Procedure before disassembly



### ATTENTION:

If the pump has pumped hot liquids, make sure that it's been cooled before the disassembly procedure. It's possible that the pump has pumped toxic and/or dangerous liquids: so it's necessary to wear protection for the skin and the eyes.



**ATTENTION:** Make sure that the pump has been carefully decontaminated and cleaned. Wash and neutralize completely the dangerous liquids inside the pump. The liquid has to be collected and eliminated according to the existing environmental laws. After disconnecting the discharge and suction pipes close the extremities.

### 4.4 Disassembly

NOTE: the photos used to show the operations of disassembly refer to a particular pump model of the series HCO and consequently the pump supplied to you can be slightly different from what is shown.

#### 4.4.1 Main parts

The drawing below shows a section with all the main parts of a pump series HCO in thermoplastic material (in particular models 110-140).

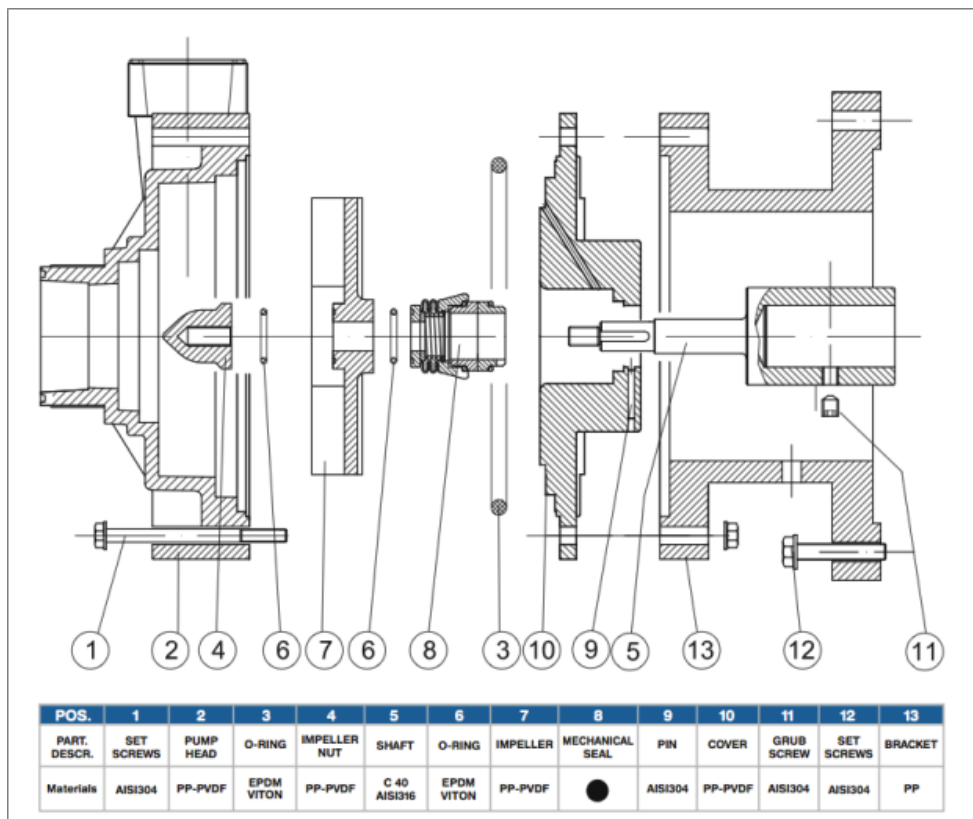


Photo N. 1 shows the main parts of a pump series HCO in thermoplastic material (excluding the motor)



Photo N. 1

#### 4.4.2 Disassembly the pump from the motor

1-Remove the screws securing the pump head and the bracket and separate the casing from the rest of the pump (Photo N. 2-3)



Photo 2



Photo 3

2-Remove the impeller nut, and then the impeller and check the wear of the o-rings. (Photos 4-5-6)



Photo 4



Photo 5



Photo 6

3- Once you have removed the impeller please check the wear of the mechanical



seal (Photo 7). Separate the cover from the bracket and check the condition of static ring. Then you can remove the bolts between the bracket and the motor (Photo 8-9). The shaft of the pump is directly coupled to the motor shaft.



Photo 7



Photo 8



Photo 9

The parts that can be periodically replaced are:

- O-ring (part 3 and 6 in the section drawing)
- Mechanical seal (part 8 in the section drawing)

#### 4.5 Assembly

The sequence (in reverse) of operations of assembly is the same as that of disassembly. However it's necessary to consider the following warnings:



**ATTENTION:**

Clean accurately every component before assembly, make sure that the parts are not dirty, and don't have metallic particles etc



- make sure that when closing the pump, the o-ring is perfectly in seat and is not pinched;
- use dynamometric wrench for the correct strength to tighten the bolts in accordance with the chart of the following section 4.7.
- after assembling the pump on the motor flange, remove temporarily the protective shield on the fan at the back of the motor and rotate it by hand to check the free rotation of the unite. In case of excessive friction or anomalous noises, disassemble the group (instructions paragraph 4.4) and find out the cause of the problem. Never use the pump without proceeding with this test. Reassemble the fan protective shield before starting the pump, do not start the pump if the fan protective shield is not installed.

#### 4.6 Replacement of the motor

Proceed as indicated in the previous paragraph 4.4.2. Make sure that the characteristics of the motor are equal to those of the replaced motor. The manufacturer of the new motor can be different from that of the motor already mounted.

#### 4.7 Tightening torque

The recommended tightening torque are written in the following chart:

<b>TABELLA 1</b>	<b>Bracket on the motor</b>	<b>Casing on bracket</b>
<b>HCO 110</b>	M10 X 40mm- 10 Nm	M8 X115mm - 25 Nm
<b>HCO 120</b>	M10 X 40mm- 10 Nm	M8 X115mm - 25 Nm
<b>HCO 130</b>	M10 X 40mm- 10 Nm	M8 X 115mm- 25 Nm
<b>HCO 140</b>	M12 X 40mm- 10 Nm	M8 X 115mm- 25 Nm
<b>HCO 150</b>	M10 X 60mm- 15 Nm	M8 X 120mm- 30 Nm
<b>HCO 155</b>	M10 X 60mm- 15 Nm	M8 X 120mm- 30 Nm
<b>HCO 160</b>	M10 X 60mm- 15 Nm	M8 X 120mm- 30 Nm
<b>HCO 170</b>	M10 X 60mm- 15 Nm	M8 X 120mm- 30 Nm

### 5. PROBLEM SOLUTIONS

1	2	3	4	5	6	7	8	9	Possible cause	Solution
M o t o r / o v e r l o a d	I n s u f f i c i e n t / s p e e d / o f / t h e / f l o w / o r	I n s u f f i c i e n t / p r e s s u r e / f r o m / t h e / f l o w	I r r e g u l a r / d e l i v e r y / p r e s s u r e / f l o w	N o i s e / a n d / v i b r a t i o n s	B l o c k e d / p u m p	P u m p / o v e r h e a t i n g	A n o m a l / o i l / w e a r	L e a k / i n / t h e / p u m p		

	/	s									
	p	c									
	r	h									
	e	a									
	s	r									
	s	g									
	u	e									
	r	/									
	e	p									
		i									
		p									
		e									
	.		.								
	.	.	.	.							
		.									
	.		.	.							
		.	.	.							
	.		.								
.				.		.					
	.			.	.	.	.				
								.			
.				.	.	.					
			.	.	.	.	.				
		.									
	.										
<b>1</b>	<b>2</b>	<b>3</b>	<b>4</b>	<b>5</b>	<b>6</b>	<b>7</b>	<b>8</b>	<b>9</b>			

## 6. SPARE PARTS

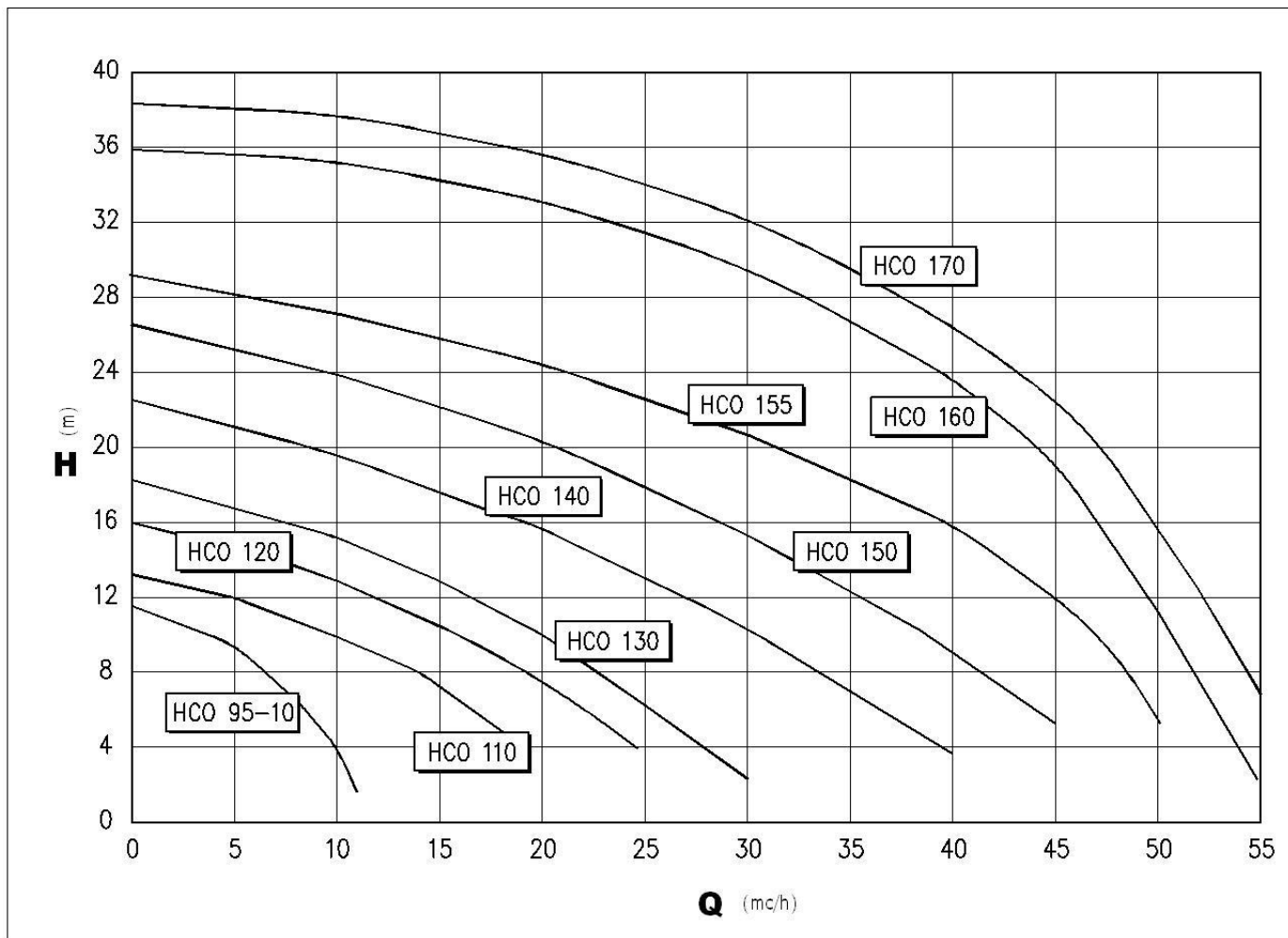
### 6.1 How to order spare parts

A complete kit of spare parts for these kinds of pumps is available. Please contact GemmeCotti or our distributors. To have the spare parts it's necessary to communicate the model of the pump, the size, the material, the serial number, the year of construction and the number relative to the spare part required. All the references are written directly on the pump label and on the section drawings of the pump. If you don't have the necessary drawings please contact the GemmeCotti sales office (tel. +39 0296460406).

## 7. DATA

### 7.1 Performance curves

*Pumps in thermoplastic materials PP/PVDF:*

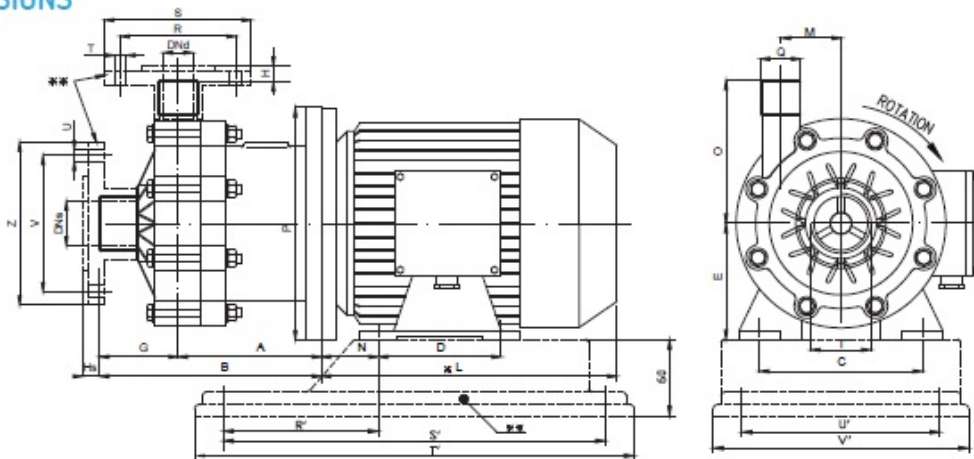


## 7.2 Dimensions

### HCO TECHNICAL DATA

PUMP SIZE	MATERIAL	Q MAX		H MAX		SUCTION CONNECTION	DISCHARGE CONNECTION	PUMP WEIGHT (KG)		SUITABLE MOTOR POWER (KW) - 2988 rpm	MOTOR FLANGE AND FRAME
		50HZ (m3/h)	60HZ (ugpm)	50HZ (mhc)	60HZ (FT)			PP	PVDF		
HCO 95-10	PP- PVDF	12	52	12	47	1 1/2" FEMALE	1" MALE	10	12	0,55	71 - B3/B5
HCO 110	PP- PVDF	20	88	13	59	2 1/2" MALE	2" MALE	10	12	1,1	80 B - B3/B5
HCO 120	PP- PVDF	25	100	16	75	2 1/2" MALE	2" MALE	10	12	1,5	90 S - B3/B5
HCO 130	PP- PVDF	30	158	18	90	2 1/2" MALE	2" MALE	10	12	2,2	90 L - B3/B5
HCO 140	PP- PVDF	40	212	22	104	2 1/2" MALE	2" MALE	11	13	3	100 L - B3/B5
HCO 150	PP- PVDF	45	242	26	124	3" MALE	2 1/2" MALE	11	13	5,5	132 S - B3/B5
HCO 155	PP- PVDF	50	265	29	140	3" MALE	2 1/2" MALE	11	13	5,5	132 S - B3/B5
HCO 160	PP- PVDF	55	290	36	170	3" MALE	2 1/2" MALE	11	13	7,5	132 M - B3/B5
HCO 170	PP- PVDF	58	300	38	175	3" MALE	2 1/2" MALE	11	13	7,5	132 M - B3/B5

### HCO 95/10 - 110 - 120 - 130 - 140 - 150 - 155 - 160 - 170 PP/PVDF DIMENSIONS



PUMP TYPE	FLANGES DIMENSIONS - mm -							
	R	S	T	U	V	Z	DNs	DNd
HCO 95-10	85	115	14	18	110	150	40	25
HCO 110 - 120 - 130 - 140	125	168	18	18	145	188	65	50
HCO 150 - 155 - 160 - 170	145	188	18	18	160	203	80	65

PUMP TYPE	BASEPLATE DIMENSIONS - mm -				
	R	S	T	U	V
HCO 95-10	112	244	280	130	160
HCO 110 - 120 - 130	120	302	350	157	205
HCO 140	140	352	400	202	250

PUMP TYPE	MOTOR FLANGE B3 - B5	Kw	DIMENSIONS - mm -														
			A	B	C	D	E	G	Hs	H	I	-L	M	N	O	P	Q
HCO 95-10	71 B	0,55	110	180	112	90	71	70	20	9	1 1/2" FEMALE	215	45	45	100	160	1" MALE
HCO 110	80 B	1,1	209	290	125	100	80	91	10	13	2 1/2" MALE	232	66	50	140	200	2" MALE
HCO 120	90 S	1,5	209	290	140	100	90	91	10	13	2 1/2" MALE	255	66	56	140	200	2" MALE
HCO 130	90 L	2,2	209	290	140	125	90	91	10	13	2 1/2" MALE	280	66	56	140	200	2" MALE
HCO 140	100	3	219	310	160	140	100	91	10	13	2 1/2" MALE	315	66	63	140	250	2" MALE
HCO 150 - HCO 155	132 S	5,5	184	275	216	140	132	91	10	10	3" MALE	380	82,5	89	170	300	2 1/2" MALE
HCO 160 - HCO 170	132 M	7,5	184	275	216	178	132	91	10	10	3" MALE	420	82,5	89	170	300	2 1/2" MALE

OPTIONAL UPON REQUEST: Baseplate (except pumps model from HCO 150 -155- 160- 170) - Flanges.  
 NOTE: DIRECTION OF ROTATION IS COUNTER CLOCKWISE AS SEEN WHEN FACING THE MOTOR.  
 PUMPS AVAILABLE THREADED OR FLANGED.

### 7.3 Technical data and limits

The performance curves are valid for homogeneous liquids with specific gravity =1, viscosity 1cPs and temperature 20°C. If the liquid to be pumped has a specific gravity higher than 1, the absorbed power written on the performance curve has to be increased according to the value of the specific gravity of the liquid. For liquids having specific gravity higher than 2, please contact the GemmeCotti technical service (tel. +390296460406; e-mail info@gemmecotti.com).

The performance curves are valid for homogeneous liquids having viscosity of 1CPS. If the pumped liquid has a viscosity different from 1 CPS the values of Q/H will be altered. The performance of the pump will decrease. For liquids having viscosity lower than 0.5 CPS or greater than 150 CPS please contact the GemmeCotti technical service.

Values of required NPSH written on the performance curves are the lower required values. As a rule, for safety reasons, the value of NPSH of the system (NPSH available) should be at least 1 m higher than the value of NPSH required (written on the performance curves) to prevent lack of lubrication or dry-running with consequent damage of the bearings. NPSHa can decrease with the installation of a valve on the suction line. It is advisable to install a flow meter to check possible changes of value.

Values of performances written on the curves refer to trial pumps during prototype phase. In pumps manufactured in series such values can be lower. Usually these values have to be considered as follows:

- pumps with discharge up to 25mm: - 3 points
- pumps with discharge superior to 25mm: - 2 points

Characteristics of pumps series HCO are guaranteed by the manufacturer with tolerances in accordance with UNI EN ISO 9906:2002 regulation. With respect to other specifications or regulations requiring more restricted tolerances, these have to be specifically asked for at the moment of quotation; in this case GemmeCotti will choose a pump more suitable and the required regulations will be considered.

## 8. WARRANTY AND REPAIR

### 8.1 Warranty

All GemmeCotti products are guaranteed for a period of twelve (12) months starting from the delivery date of the goods.

For the warranty service to be applicable the customer must report the defect in writing no later than 8 (eight) days from the moment that the damage occurs, and must return the part (or parts) to GemmeCotti for repair or replacement. Pumps cannot be repaired or substituted on site. In the case of a request of warranty service, it's better to send the complete pump together with its motor to GemmeCotti.

---

The costs of delivery and the relative risks, and possible customs duties have to be paid by the customer. GemmeCotti will not accept the costs of collection and shipment.

The manufacturer is not responsible for damages caused during the shipment of the parts or of the pump sent to GemmeCotti to be repaired under warranty.

The warranty system provides that, after a careful examination at our factory, GemmeCotti is free to choose to repair or replace the part (or parts) of the pump which is/are defective in materials or in workmanship, or both. We will not give any refund or credit for the defective material or for direct or indirect damages caused by our pumps. In any case, any reimbursement cannot exceed the cost of the pump or of the supplied material.

If the pumped liquid and the needed performances have not been communicated to GemmeCotti before the offer and confirmed in the quotation and order confirmation and/or the pump is not properly installed, maintained and used for its intended purpose or under conditions which can reasonably be foreseen as indicated in the Machine Directive 2006/42/CE article 4 paragraph 1, the customer takes the whole responsibility for the usage of the product, especially if not used in an appropriate way, and the warranty, the conformity to the Machine Directive 2006/42/CE and the relative CE declaration are no longer valid. The proper installation, maintenance and use for its intended purpose and the conditions which can reasonably be foreseen are subject to the respect of the technical limits (temperature, working point, compatibility of the pump material with the pumped fluid, NPSH etc...) which are indicated in GemmeCotti's technical data files and use and maintenance manuals.

If the above mentioned limits are not respected, the customer is the only responsible for the introduction of the pump in the market, for the declaration of conformity to the Machine Directive and the CE mark. In any case the user is considered the one who knows better the chemical compatibility and the reactions between the liquid to be pumped and the material of construction of the pump and consequently the information given in this regard by GemmeCotti is merely indicative.

If the returned piece is no longer covered by guarantee, or if after inspection GemmeCotti finds the piece to be not defective, inspection charges will be charged to the customer and the repaired or substituted piece will be returned to the customer at the customer's own expense.

Pumps which have been repaired or substituted under guarantee will be supplied on the same delivery conditions as the order and the warranty will not be extended.

Warranty does not cover components subject to natural wear due to time, such as mechanical seals, bearings, bushings and lip seals.

The customer is solely responsible for the good performance of pumps and for their careful maintenance. Therefore no claims will be allowed when goods have been improperly handled (not stored in a suitable closed dry place, which is necessary because of the fragility of materials), contaminated, handled with negligence, improperly installed, tampered with or not well regulated, incorrectly used in wrong applications. In particular, GemmeCotti will not take any responsibility in the case of wear due to corrosion.

Ordinary maintenance and repair executed outside GemmeCotti authorized network, will cause invalidation of the warranty and of the CE declaration of conformity.

The warranty does not cover damages due to extraordinary or natural events, such as lightning, ice, fire and others.

All the warranty obligations are considered fully satisfied after the repair or substitution of the defective parts.

The Warranty service will be suspended in the case of default or delayed payment and the period lost cannot be recovered.

---

This warranty is an integral part of the offer and of the order confirmation.  
In the case of litigation the court which has jurisdiction is the Busto Arsizio (Italy) Tribunal and the law that will be applied is the Italian Law.

## **8.2 Returned parts and repair**

All our distributors offer a complete repair service. Contact your local distributor or GemmeCotti s.r.l. directly.

Before sending the pump back to our repair services or to GemmeCotti, the pumps have to be decontaminated from the used dangerous liquids. Before sending the pump the customer has to fill in the Decontamination Declaration and send it by e-mail or fax as per the facsimile document in the next paragraph 8.3.



---

### 8.3 Decontamination Declaration <sup>4</sup> (facsimile)

To: **GemmeCotti S.r.l su**  
Via A. Volta, 85/A Ceriano Laghetto (MB)  
Telefono 02. 964. 60. 406  
Fax 02. 964. 69. 114

SUBJECT: Decontamination Declaration of pumps to be repaired

Reference to our Transport document No: \_\_\_\_\_ dated: \_\_\_\_\_

Type of pump: \_\_\_\_\_ Serial Number: \_\_\_\_\_

Fluid pumped: \_\_\_\_\_

Type of problem/damage: \_\_\_\_\_

In accordance with current requirements regarding the health and safety of workmen, we hereby declare that:

The pump has been carefully cleaned and decontaminated to remove all traces of the pumped fluid

Also the residual fluid used to decontaminate the pump has been removed

It is possible to proceed with the repair of the pump without risks for the workmen or the environment

*Attention: if the pump is not correctly cleaned or we do not receive this document duly filled in, it will be sent back at the customer's expense*

Date \_\_\_\_\_

STAMP AND SIGNATURE

---

<sup>4</sup> TO FILL IN ON YOUR HEADED PAPER

---

## 8.4 CE CERTIFICATE FOR PUMPS SERIES HCO PP/PVDF

### Declaration of conformity<sup>5</sup>(facsimile) to the Machine Directive 2006/42/CE

## CE DECLARATION OF CONFORMITY

We state under our own responsibility that the pump:

Supplier : GEMMECOTTI

Type :

Model :

Serial Number:

Year:

as per described in attached documentation, is in accordance with the Machine Directive CE 2006/42 (ex 89/392/CEE - 91/368/CEE - 93/44/CEE – 93/68/CEE-98/37 CEE) only if it's used for the liquids communicated by the customer..... and for the pump characteristics required with regard to the order No.....dated.....

If the pumped liquid and the needed performances have not been communicated to GemmeCotti and/or the pump is not properly installed, maintained and used for its intended purpose or under conditions which can reasonably be foreseen, the customer takes the whole responsibility of the products as indicated in our warranty Mod. 1.11.4E.

The conformity to the previously mentioned requirements is expressed by the marking:



ENRICO GEMME  
(General Manager)

Ceriano Laghetto, .....

Signature

---

<sup>5</sup> If the customer doesn't communicate the liquid pumped or the functioning conditions, the CE Declaration can't be sent and the customer will be the responsible of the certification of the pump for its application.