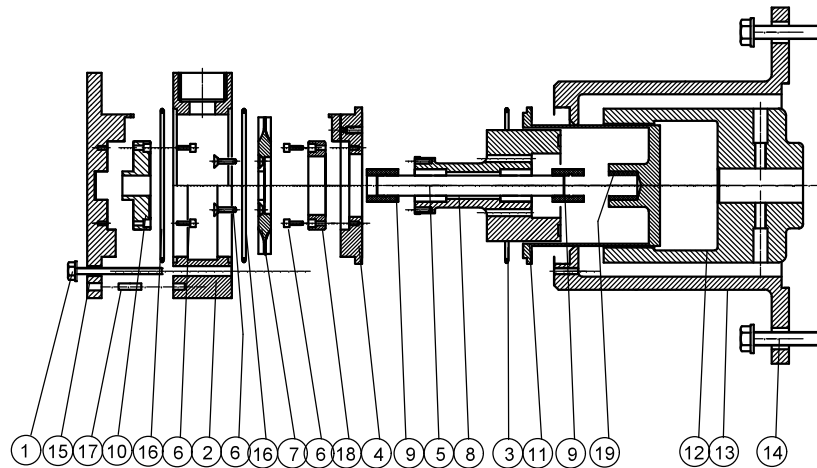


TECHNICAL DATA/DATI TECNICI

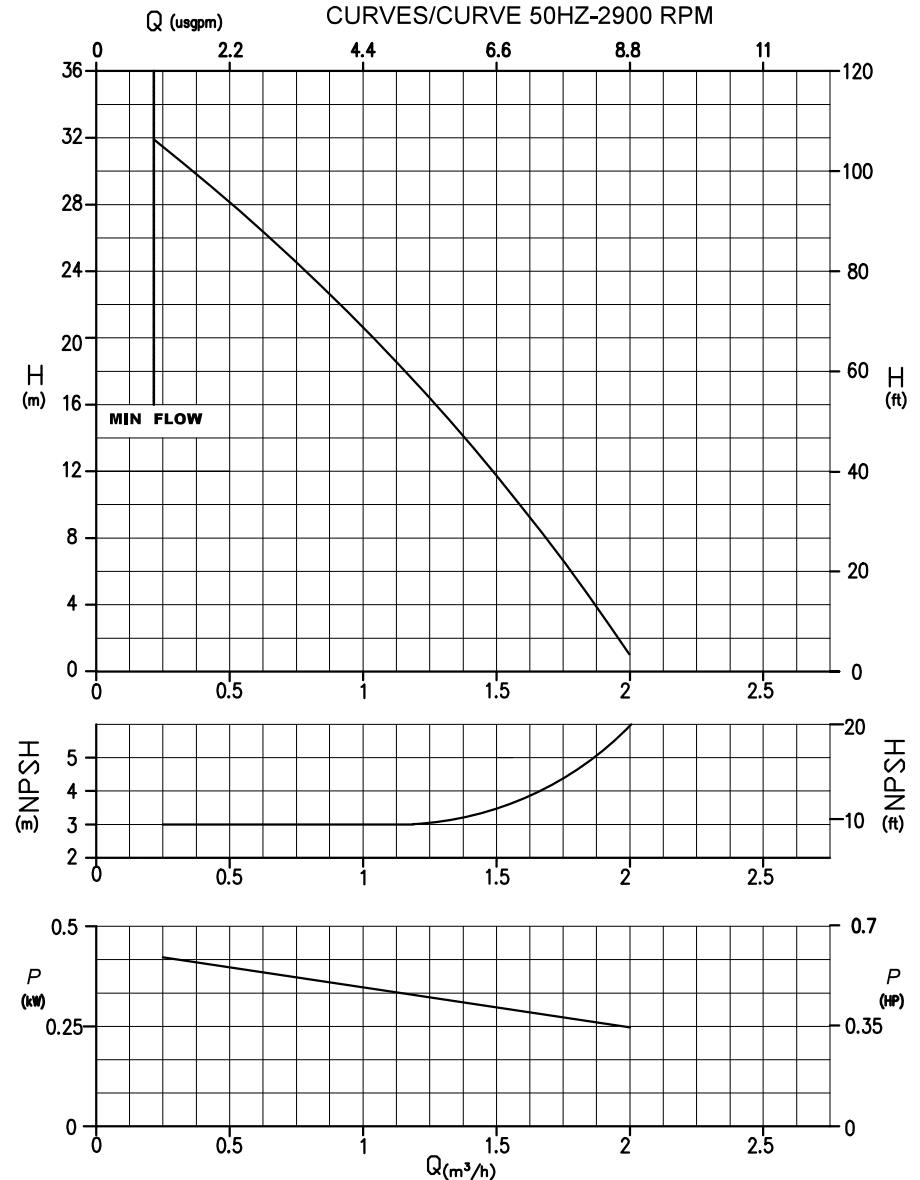
FEATURES/CARATTERISTICHE

Materials available/Materiali disponibili:	AISI 316
Max flow/Portata massima:	2 m ³ /h
Max head/Prevalenza massima:	32 m
Max temperature/Temperatura massima:	120°C
Max temp. HT version/T. massima versione HT:	160°C
Max viscosity/Viscosità massima:	45 cPs
Pressure rating/Pressione nominale massima:	NP/PN 25 @ 20°C
Pump weight/Peso pompa:	7.5 kg
Motor weight/Peso motore (approx.):	1.1kW: 9 kg
ATEX motor weight/Peso mot. ATEX (approx.):	1.1kW: 24 kg

SECTION AND PARTS LIST/SEZIONE E LISTA PARTI

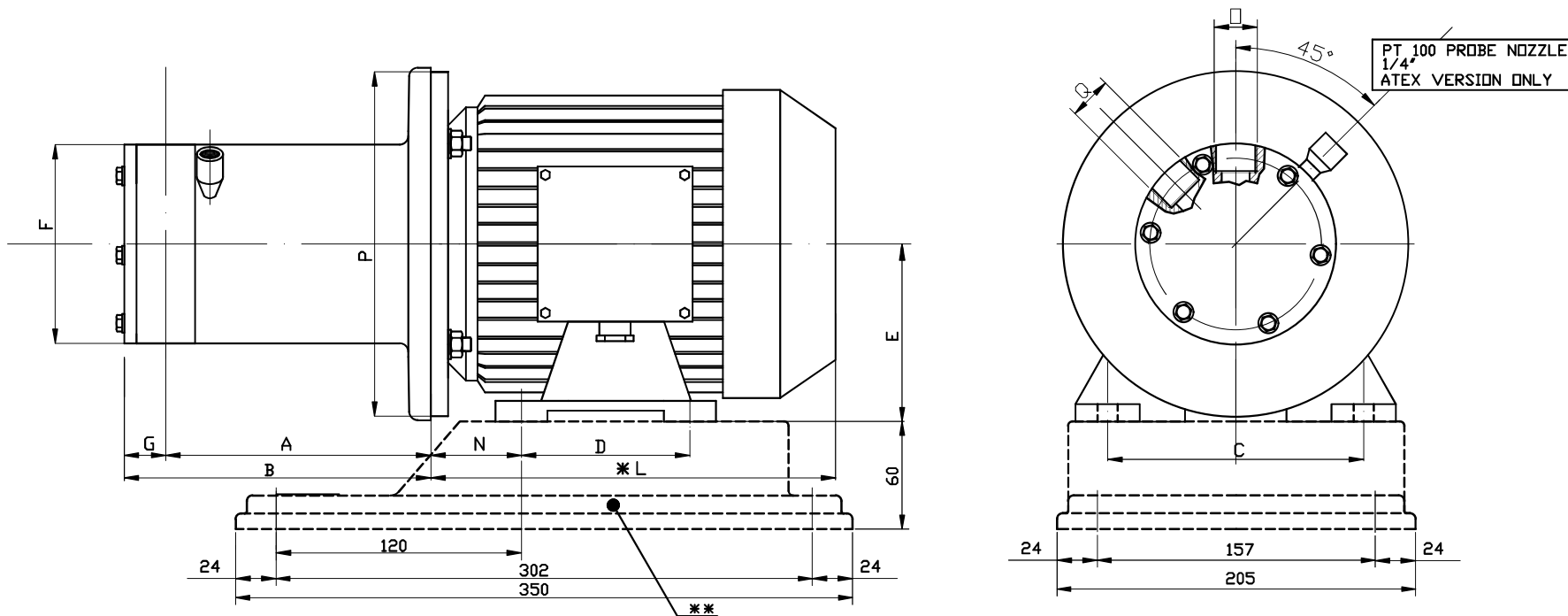


POS.	1	2	3	4	5	6	7	8	9	10	11	12	13	14	15	16	17	18	19
PART DESCR.	SET SCREWS	PUMP HEAD	O-RING	REAR FLANGE	SHAFT	SET SCREWS	IMPELLER	INT. MAGNET	BEARING	STATIC FRONT RING	REAR CASING	EXT. MAGNET	BRACKET	SET SCREWS	COVER	O-RING	PIN	STATIC REAR RING	REAR BEARING
MAT.	AISI304	AISI316	EDPM VITON	AISI316	HAST- C276	AISI316	AISI316	AISI316 NiFeB	PTFEC	PTFEC	AISI316	C40- NiFeB	ALUMINIUM	AISI304	AISI316	EDPM VITON	AISI316	PTFEC	AISI316



All data stated are an indication and are liable to change without notice / Tutti i dati sono indicativi e possono variare senza preavviso

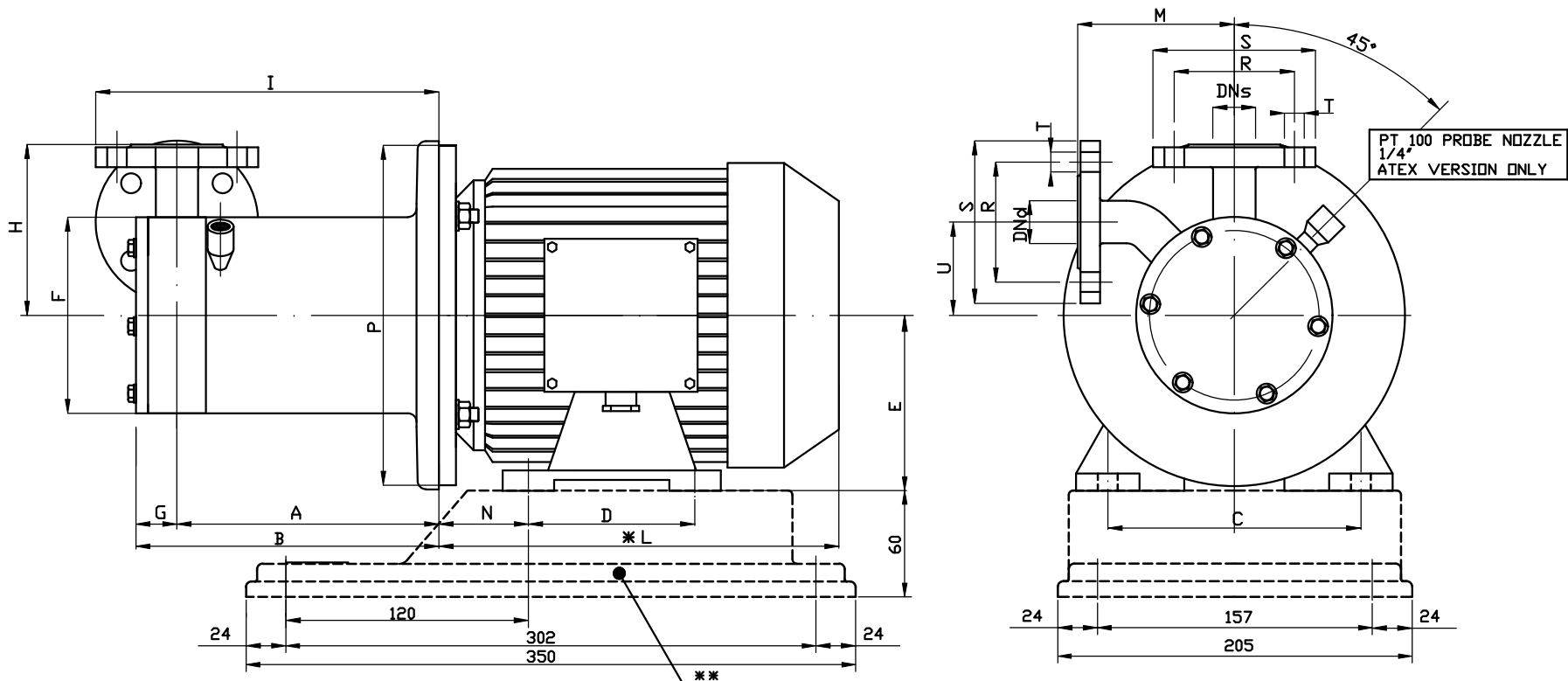
DIMENSIONS/DIMENSIONI D'INGOMBRO



PUMP TYPE	MOTOR FLANGE B3-B5	POT. Kw	DIMENSIONS - mm -											
			A	B	C	D	E	F	G	*L	N	O	P	Q
HTA 25 SS316 EM-T 25 SS316 (ATEX)	G 80 2B	1.1	167	192	125	100	80	123	25	232	50	3/4" G. FEMALE	200	3/4" G. FEMALE

* Different according to the manufacturer / Diverso a seconda del fornitore
 ** OPTIONAL-UPON REQUEST/SU RICHIESTA: Baseplate/Piede d'appoggio - Flanges/Flange

DIMENSIONS/DIMENSIONI D'INGOMBRO



PUMP TYPE	MOTOR FLANGE B3-B5	POT. Kw	DIMENSIONS - mm -													FLANGES DIMENSIONS-mm DN20 - PN 40					
			A	B	C	D	E	F	G	H	I	*L	M	N	P	U	R	S	T	DNs	DNd
HTA 25 SS316 EM-T 25 SS316 (ATEX)	G 80 2B	1.1	167	192	125	100	80	123	25	100	218	232	98	50	200	61	75	105	14	20	20

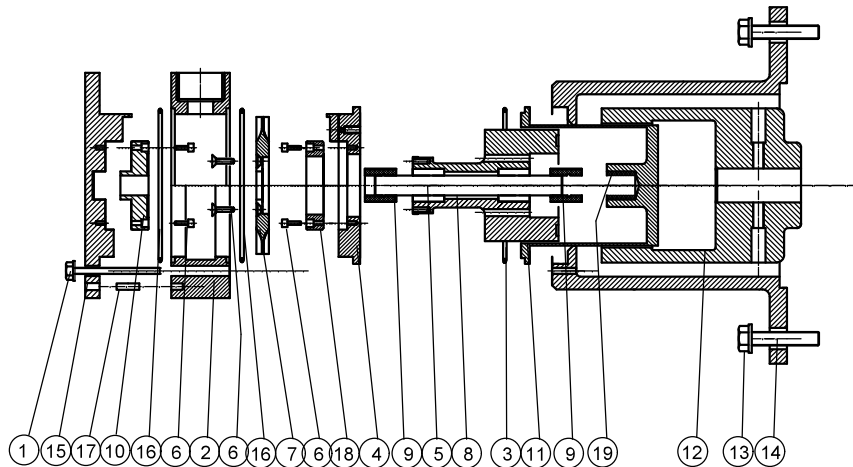
* Different according to the manufacturer / Diverso a seconda del fornitore

** OPTIONAL-UPON REQUEST/SU RICHIESTA: Baseplate/Piede d'appoggio

FEATURES/CARATTERISTICHE

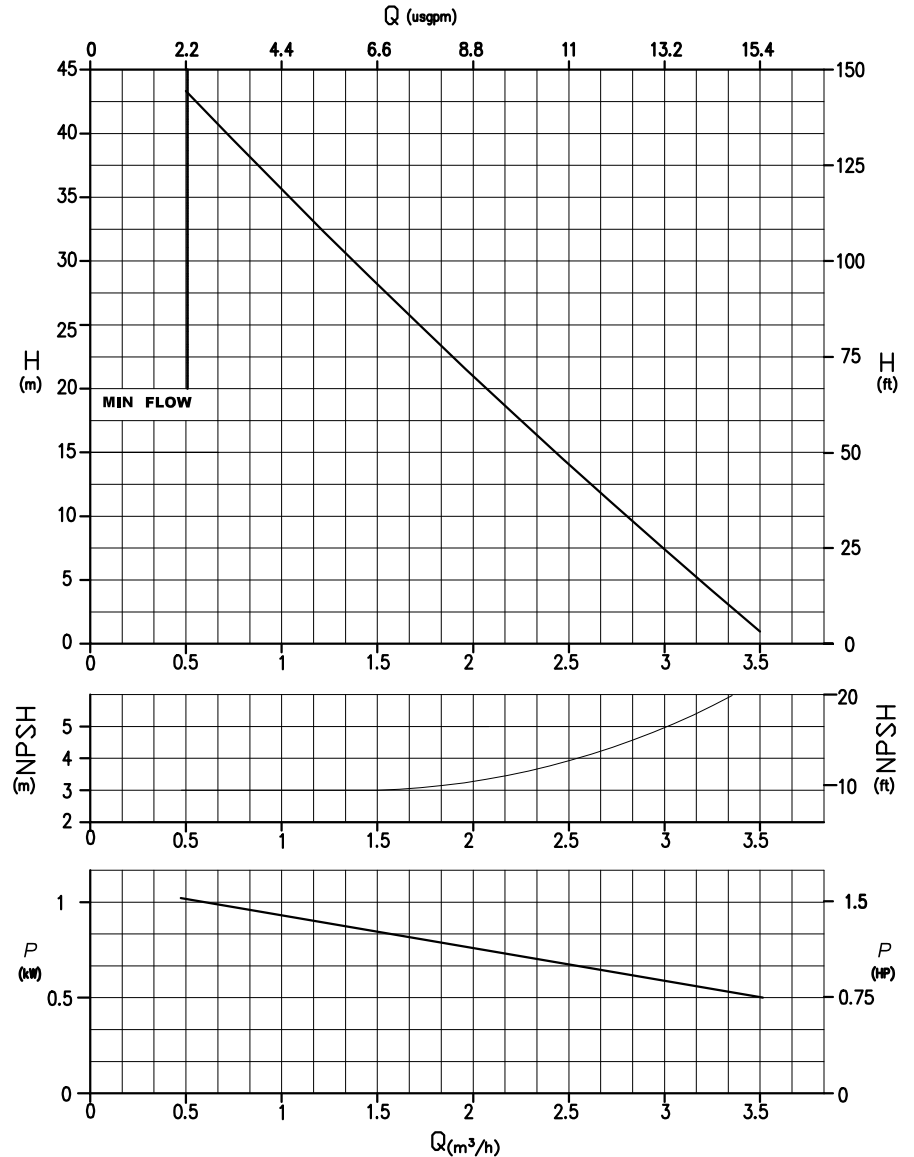
Materials available/Materiali disponibili:	AISI 316
Max flow/Portata massima:	3.5 m ³ /h
Max head/Prevalenza massima:	43 m
Max temperature/Temperatura massima:	120°C
Max temp. HT version/T. massima versione HT:	160°C
Max viscosity/Viscosità massima:	45 cPs
Pressure rating/Pressione nominale massima:	NP/PN 25 @ 20°C
Pump weight/Peso pompa:	7.5 kg
Motor weight/Peso motore (approx.):	1.1kW: 9 kg 2.2kW: 13 kg
ATEX motor weight/Peso mot. ATEX (approx.):	1.1kW: 24 kg 2.2kW: 31.5kg

SECTION AND PARTS LIST/SEZIONE E LISTA PARTI



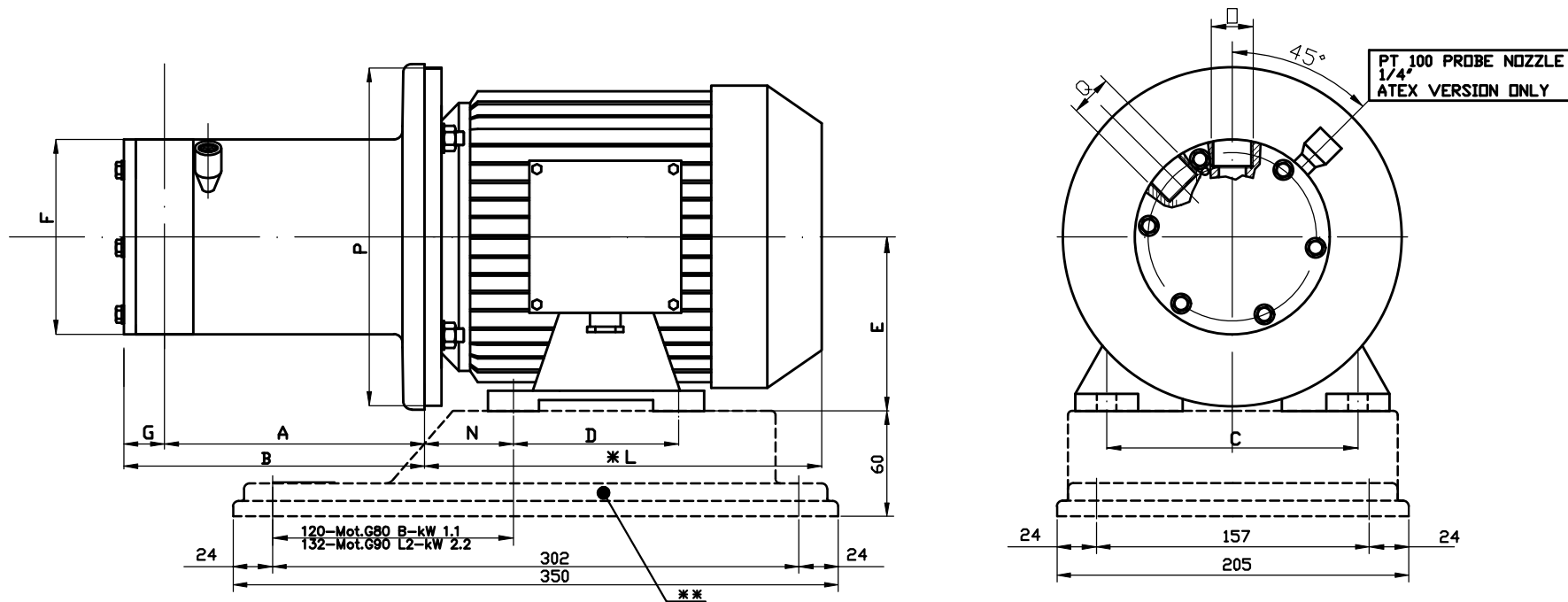
POS.	1	2	3	4	5	6	7	8	9	10	11	12	13	14	15	16	17	18	19
PART DESCR.	SET SCREWS	PUMP HEAD	O-RING	REAR FLANGE	SHAFT	SET SCREWS	IMPELLER	INT. MAGNET	BEARING	STATIC FRONT RING	REAR CASING	EXT. MAGNET	BRACKET	SET SCREWS	COVER	O-RING	PIN	STATIC REAR RING	REAR BEARING
MAT.	AISI304	AISI316	EDPM VITON	AISI316	HAST-C276	AISI316	AISI316	AISI316 InFe8	PTFEC	PTFEC	AISI316	C40-NiFe8	ALUMINIUM	AISI304	AISI316	EDPM VITON	AISI316	PTFEC	AISI316

CURVES/CURVE 50HZ-2900 RPM



All data stated are an indication and are liable to change without notice / Tutti i dati sono indicativi e possono variare senza preavviso

DIMENSIONS/DIMENSIONI D'INGOMBRO

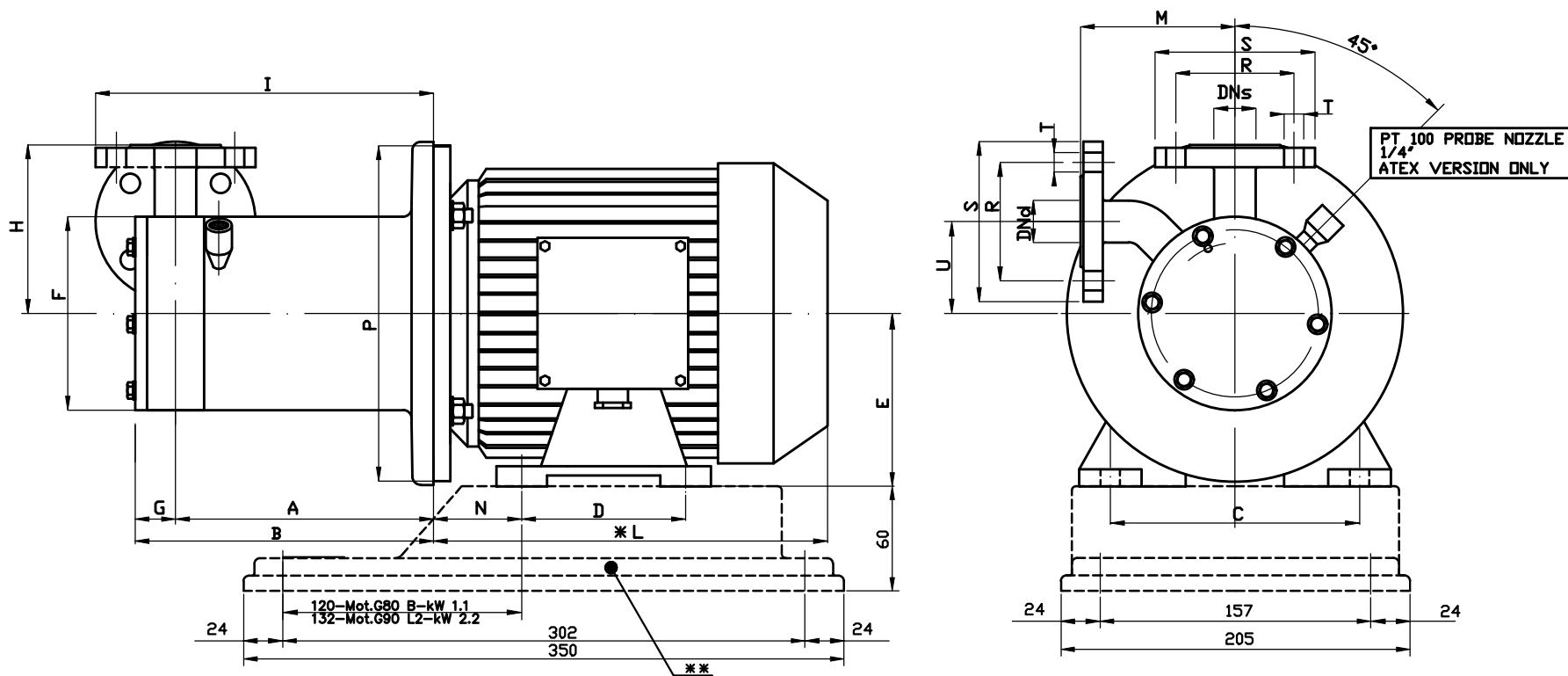


PUMP TYPE	MOTOR FLANGE B3-B5	POT. Kw	DIMENSIONS - mm -											
			A	B	C	D	E	F	G	*L	N	O	P	Q
HTA 37 SS316 EM-T 37 SS316 (ATEX)	G 80 2B	1.1	167	192	125	100	80	123	25	232	50	3/4"G.	200	3/4"G.
	G 90 L2	2.2	177	202	140	125	90							

* Different according to the manufacturer / Diverso a seconda del fornitore

** OPTIONAL-UPON REQUEST/SU RICHIESTA: Baseplate/Piede d'appoggio - Flanges/Flange

DIMENSIONS/DIMENSIONI D'INGOMBRO



PUMP TYPE	MOTOR FLANGE B3-B5	POT. Kw	DIMENSIONS - mm -														FLANGES DIMENSIONS-mm DN20 - PN 40				
			A	B	C	D	E	F	G	H	I	*L	M	N	P	U	R	S	T	DN _s	DN _d
HTA 37 SS316 EM-T 37 SS316 (ATEX)	G 80 2B	1.1	167	192	125	100	80	123	25	100	220	232	98	50	200	61	75	105	14	20	20
	G 90 L2	2.2	177	202	140	125	90	123	25	100	230	280		56							

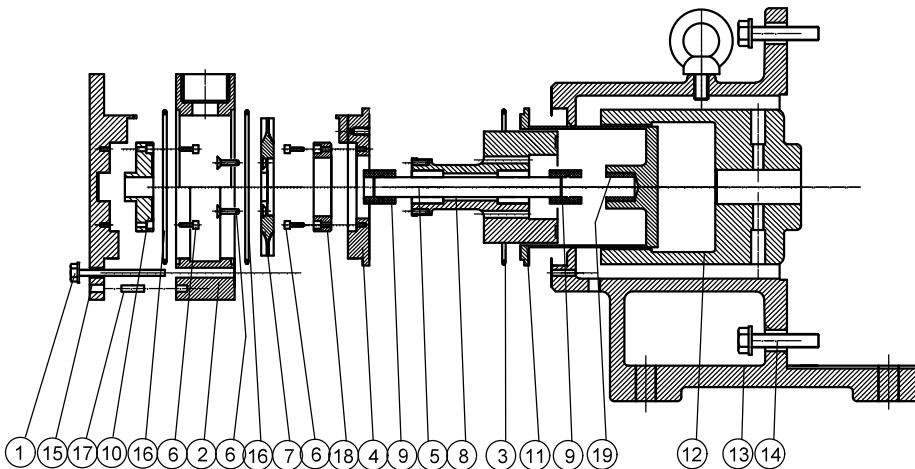
* Different according to the manufacturer / Diverso a seconda del fornitore
 ** OPTIONAL-UPON REQUEST/SU RICHIESTA: Baseplate/Piede d'appoggio

TECHNICAL DATA/DATI TECNICI

FEATURES/CARATTERISTICHE

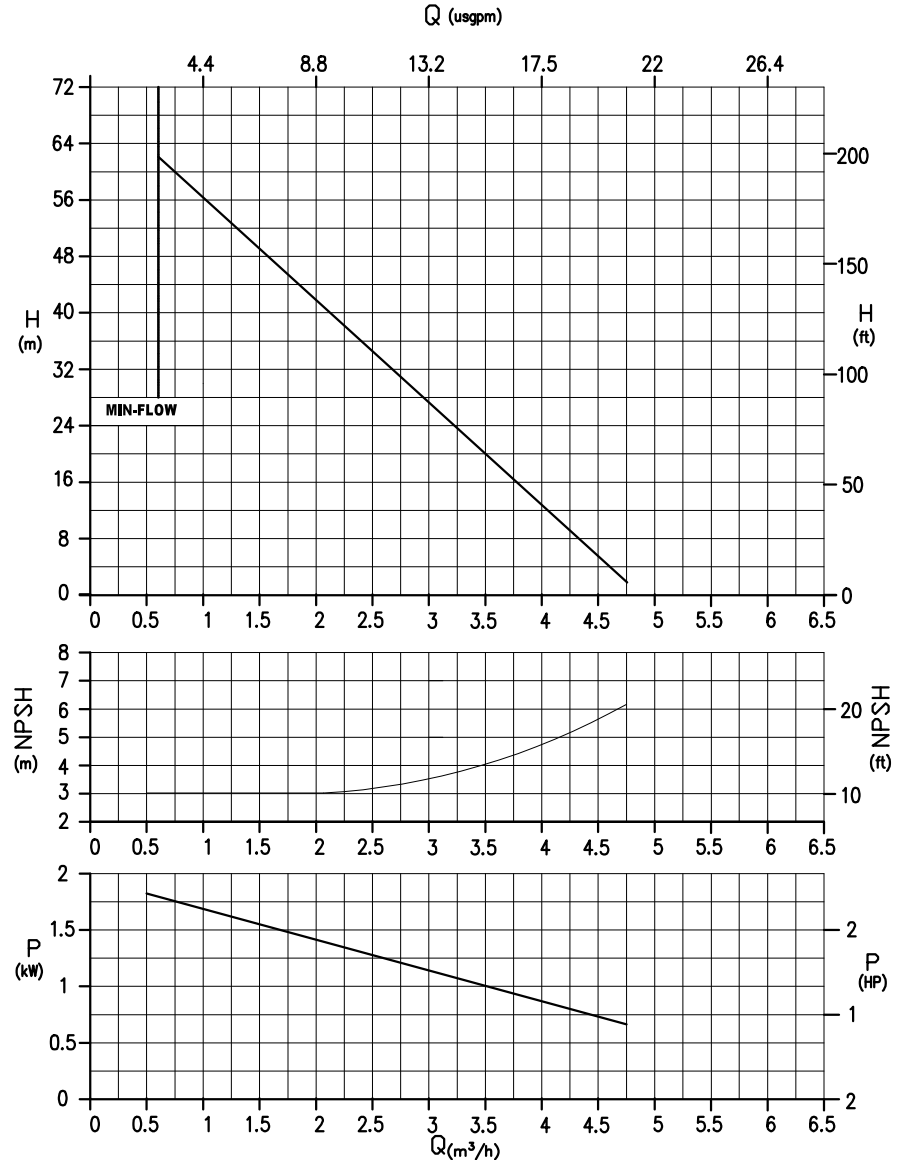
Materials available/Materiali disponibili:	AISI 316
Max flow/Portata massima:	4.7 m ³ /h
Max head/Prevalenza massima:	58 m
Max temperature/Temperatura massima:	120°C
Max temp. HT version/T. massima versione HT:	160°C
Max viscosity/Viscosità massima:	45 cPs
Pressure rating/Pressione nominale massima:	NP/PN 25 @ 20°C
Pump weight/Peso pompa:	14.2 kg
Motor weight/Peso motore (approx.):	2.2kW: 13kg 3kW: 23kg
ATEX motor weight/Peso mot. ATEX (approx.):	2.2kW: 31.5kg 3kW: 32.5kg

SECTION AND PARTS LIST/SEZIONE E LISTA PARTI



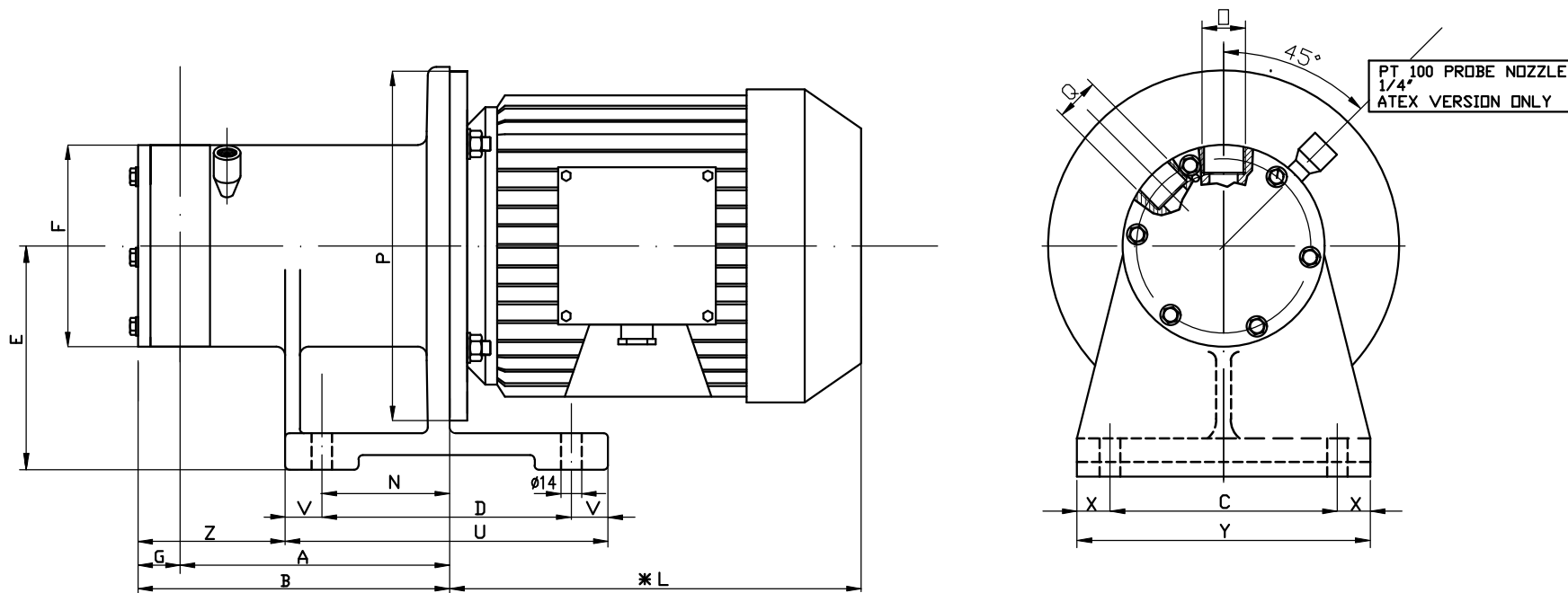
POS.	1	2	3	4	5	6	7	8	9	10	11	12	13	14	15	16	17	18	19
PART DESOR.	SET SCREWS	PUMP HEAD	O-RING	REAR FLANGE	SHAFT	SET SCREWS	IMPELLER	INT. MAGNET	BEARING	STATIC FRONT RING	REAR CASING	EXT. MAGNET	BRACKET	SET SCREWS	COVER	O-RING	PIN	STATIC REAR RING	REAR BEARING
MAT.	AISI304	AISI316	EDPM VITON	AISI316	HAST-C276	AISI316	AISI316	AISI316 NiFeB	PTFEC	PTFEC	AISI316	CAO-NiFeB	ALUMINIUM	AISI304	AISI316	EDPM VITON	AISI316	PTFEC	AISI316

CURVES/CURVE 50HZ-2900 RPM



All data stated are an indication and are liable to change without notice / Tutti i dati sono indicativi e possono variare senza preavviso

DIMENSIONS/DIMENSIONI D'INGOMBRO

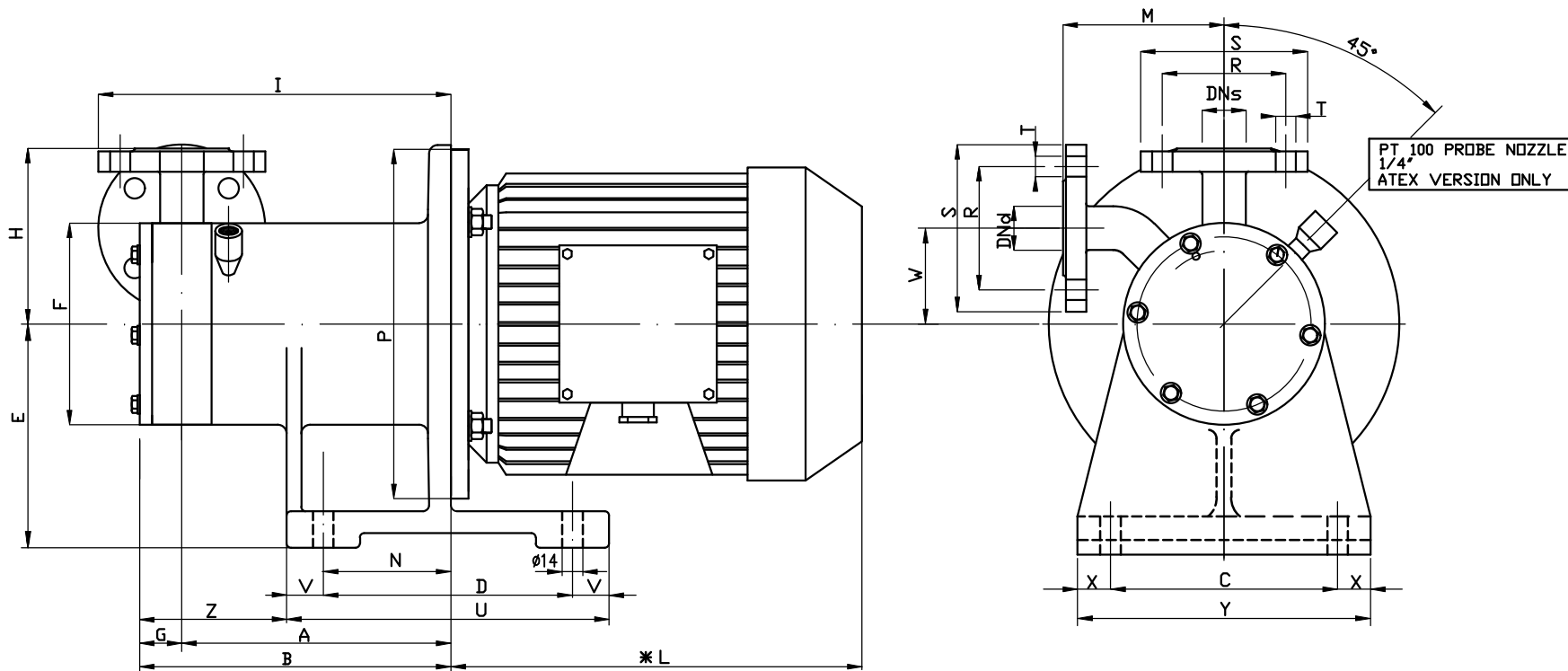


PUMP TYPE	MOTOR FLANGE B5	POT. Kw	DIMENSIONS - mm -																
			A	B	C	D	E	F	G	*L	N	O	P	Q	U	V	Z	X	Y
HTA 49 SS316 EM-T 49 SS316 (ATEX)	G 90 L2	2.2	185	215	155	170	150	139	30	280	109	1°G.	200	220	25	91	22.5	200	
	G 100 L2	3	205	235						316	119	FEMALE	250						FEMALE

* Different according to the manufacturer / Diverso a seconda del fornitore

** OPTIONAL-UPON REQUEST/SU RICHIESTA: Flanges/Flange

DIMENSIONS/DIMENSIONI D'INGOMBRO



PUMP TYPE	MOTOR FLANGE B5	POT. Kw	DIMENSIONS - mm -																	FLANGES DIMENSIONS-mm DN25 - PN 40						
			A	B	C	D	E	F	G	H	I	✱L	M	N	P	U	V	Z	X	Y	W	R	S	T	DNs	DNd
HTA 49 SS316 EM-T 49 SS316 (ATEX)	G 90 L2	2.2	185	215	155	170	150	139	30	121	253	280	111	109	200	220	25	91	22.5	200	62.5	85	115	14	25	25
	G 100 L2	3	205	235							263	316		119	250											

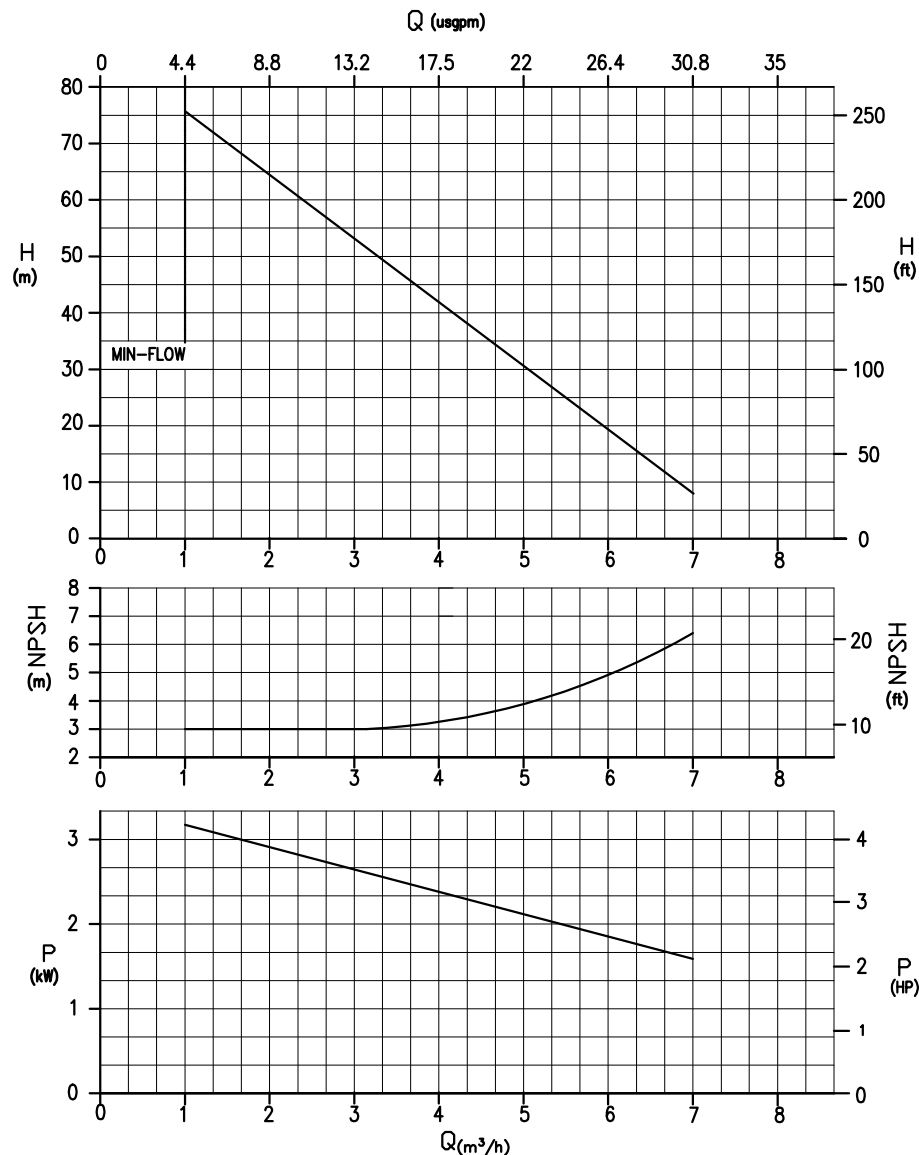
✱ Different according to the manufacturer / Diverso a seconda del fornitore

TECHNICAL DATA/DATI TECNICI

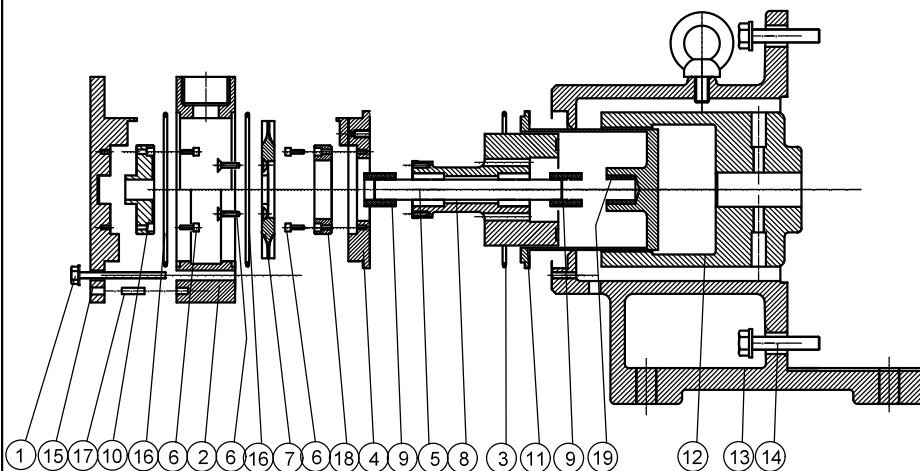
FEATURES/CARATTERISTICHE

Materials available/Materiali disponibili:	AISI 316
Max flow/Portata massima:	7 m ³ /h
Max head/Prevalenza massima:	76 m
Max temperature/Temperatura massima:	120°C
Max temp. HT version/T. massima versione HT:	160°C
Max viscosity/Viscosità massima:	45 cPs
Pressure rating/Pressione nominale massima:	NP/PN 25 @ 20°C
Pump weight/Peso pompa:	19 kg
Motor weight/Peso motore (approx.):	3kW: 23 kg 4kW: 31 kg
ATEX motor weight/Peso mot. ATEX (approx.):	3kW: 45 kg 4kW: 46.5kg

CURVES/CURVE 50HZ-2900 RPM



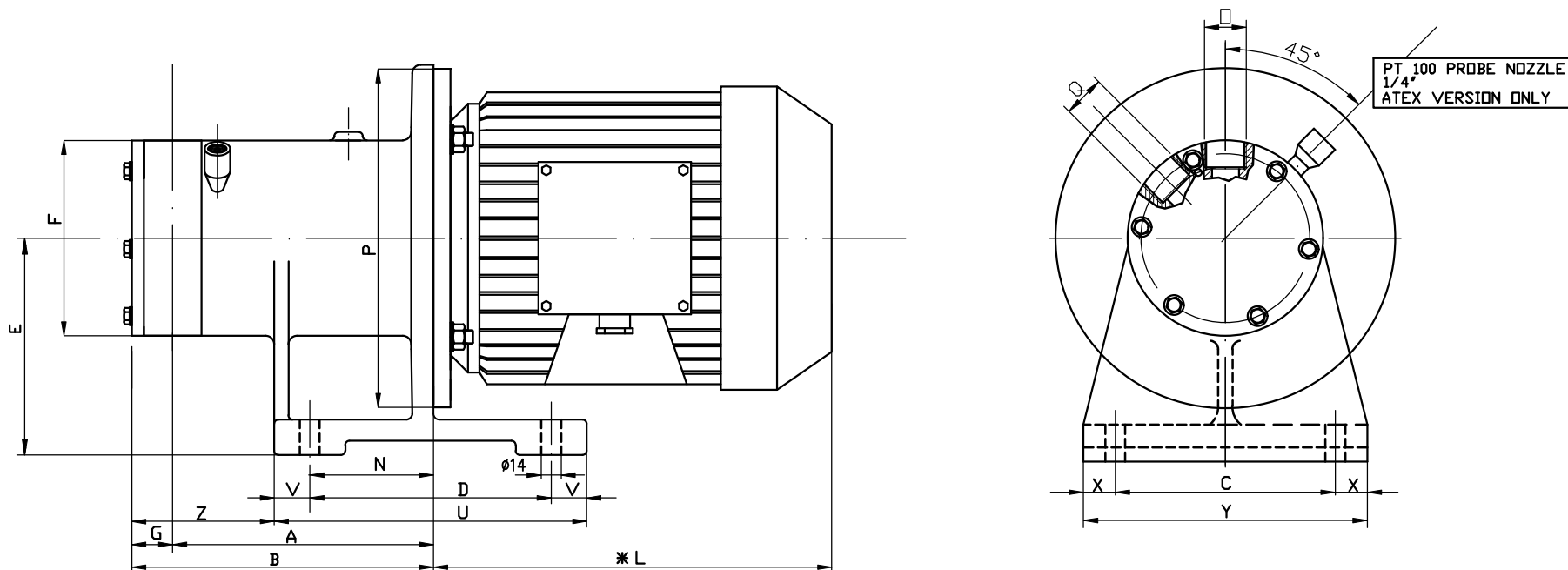
SECTION AND PARTS LIST/SEZIONE E LISTA PARTI



POS.	1	2	3	4	5	6	7	8	9	10	11	12	13	14	15	16	17	18	19
PART DESCR.	SET SCREWS	PUMP HEAD	O-RING	REAR FLANGE	SHAFT	SET SCREWS	IMPELLER	INT. MAGNET	BEARING	STATIC FRONT RING	REAR CASING	EXT. MAGNET	BRACKET	SET SCREWS	COVER	O-RING	PIN	STATIC REAR RING	REAR BEARING
MAT.	AISI304	AISI316	EDPM VITON	AISI316	HAST-C276	AISI316	AISI316	AISI316 NiFeB	PTFEC	PTFEC	AISI316	C40-NiFeB	ALUMINIUM	AISI304	AISI316	EDPM VITON	AISI316	PTFEC	AISI316

All data stated are an indication and are liable to change without notice / Tutti i dati sono indicativi e possono variare senza preavviso

DIMENSIONS/DIMENSIONI D'INGOMBRO

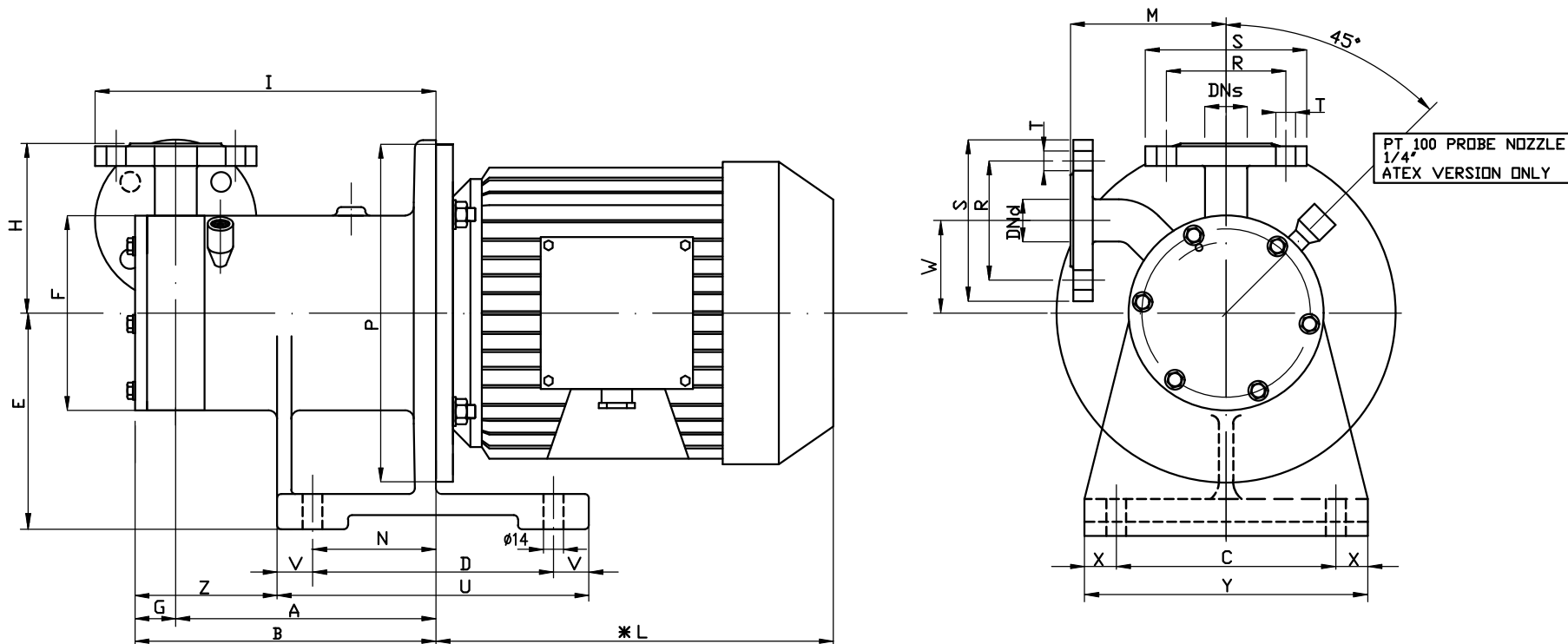


PUMP TYPE	MOTOR FLANGE B5	POT. Kw	DIMENSIONS - mm -																
			A	B	C	D	E	F	G	*L	N	O	P	Q	U	V	Z	X	Y
HTA 78 SS316 EM-T 78 SS316 (ATEX)	G 100 L2	3	205	235	155	170	150	158	30	316	119	1" G.	250	1" G.	220	25	91	22.5	200
	G 112 M2	4								324		FEMALE		FEMALE					

* Different according to the manufacturer / Diverso a seconda del fornitore

** OPTIONAL-UPON REQUEST/SU RICHIESTA: Flanges/Flange

DIMENSIONS/DIMENSIONI D'INGOMBRO



PUMP TYPE	MOTOR FLANGE B5	POT. Kw	DIMENSIONS - mm -																	FLANGES DIMENSIONS-mm DN25 - PN 40						
			A	B	C	D	E	F	G	H	I	※L	M	N	P	U	V	Z	X	Y	W	R	S	T	DNs	DNd
HTA 78 SS316 EM-T 78 SS316 (ATEX)	G 100 L2	3	205	235	155	170	150	158	30	133	263	316	133	119	250	220	25	91	22.5	200	85.5	85	115	14	25	25
	G 112 M2	4										324														

※ Different according to the manufacturer / Diverso a seconda del fornitore