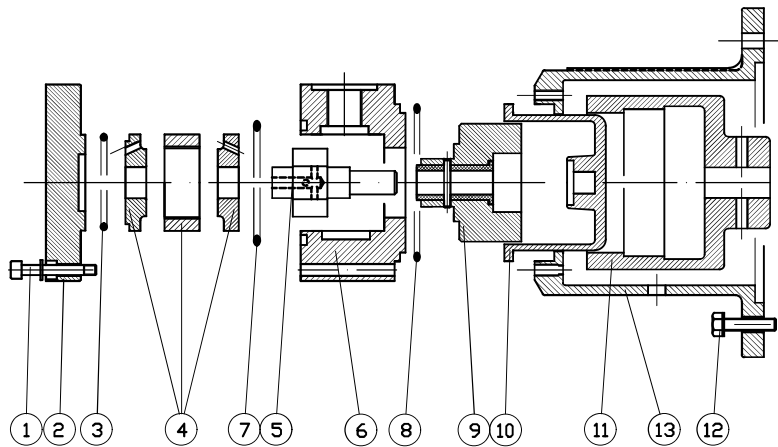


FEATURES/CARATTERISTICHE

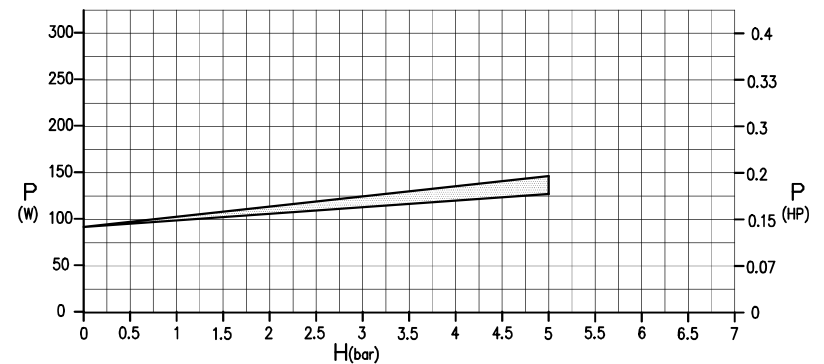
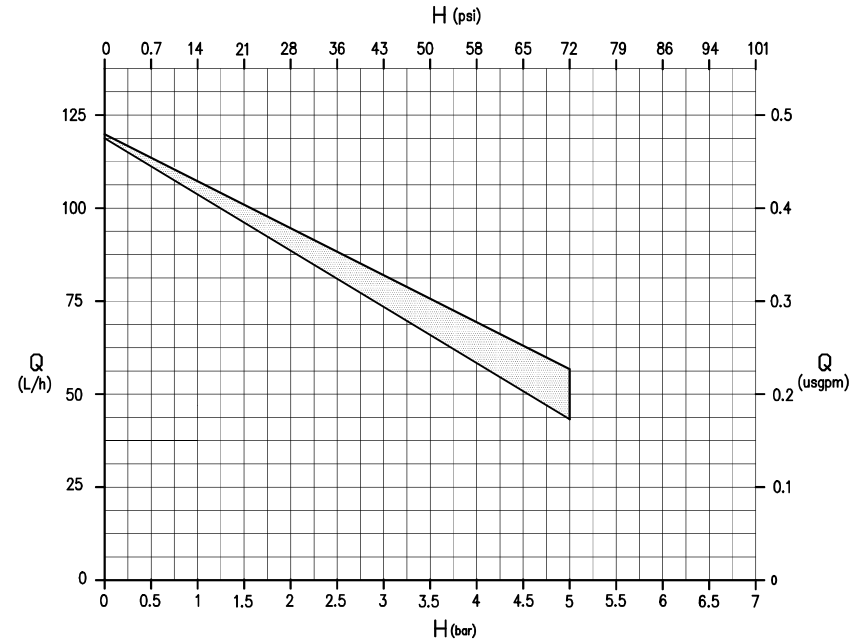
Materials available/Materiali disponibili: PP-PVDF
 Max flow/Portata massima: 120 L/h
 Max head/Prevalenza massima: 5 bar
 Max temperature/Temperatura massima: PP 60°C/PVDF 90°C
 Max viscosity/Viscosità massima: 200 cSt
 Pressure rating/Pressione nominale massima: NP/PN 5

SECTION AND PARTS LIST/SEZIONE E LISTA PARTI



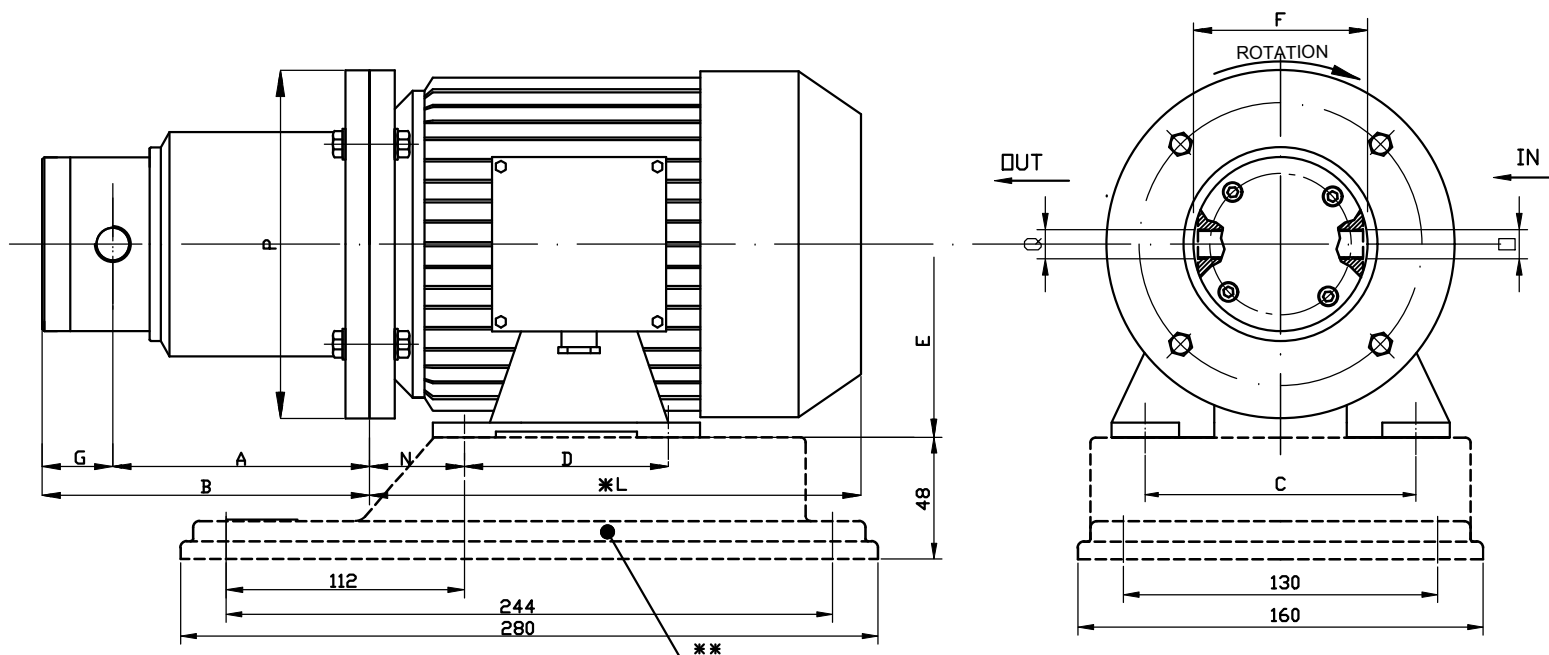
POS.	1	2	3	4	5	6	7	8	9	10	11	12	13
PART DESCR.	SET SCREWS	END COVER	O-RING	FLANGES STATOR VANES+PINS	ROTOR SHAFT	PUMP CASING	O-RING	O-RING	INTERNAL MAGNET	REAR CASING	EXTERNAL MAGNET	SET SCREWS	BRACKET
MAT.	ALSI 304	PP PVDF	EPDM VITON	GRAPHITE+PVDF	PVDF	PP PVDF	EPDM VITON	EPDM VITON	PP PVDF	PP+GF PVDF+CF	C40+NdFeB	ALSI 304	ALUMINIUM

CURVES/CURVE 50HZ-1450 RPM



All data stated are an indication and are liable to change without notice / Tutti i dati sono indicativi e possono variare senza preavviso

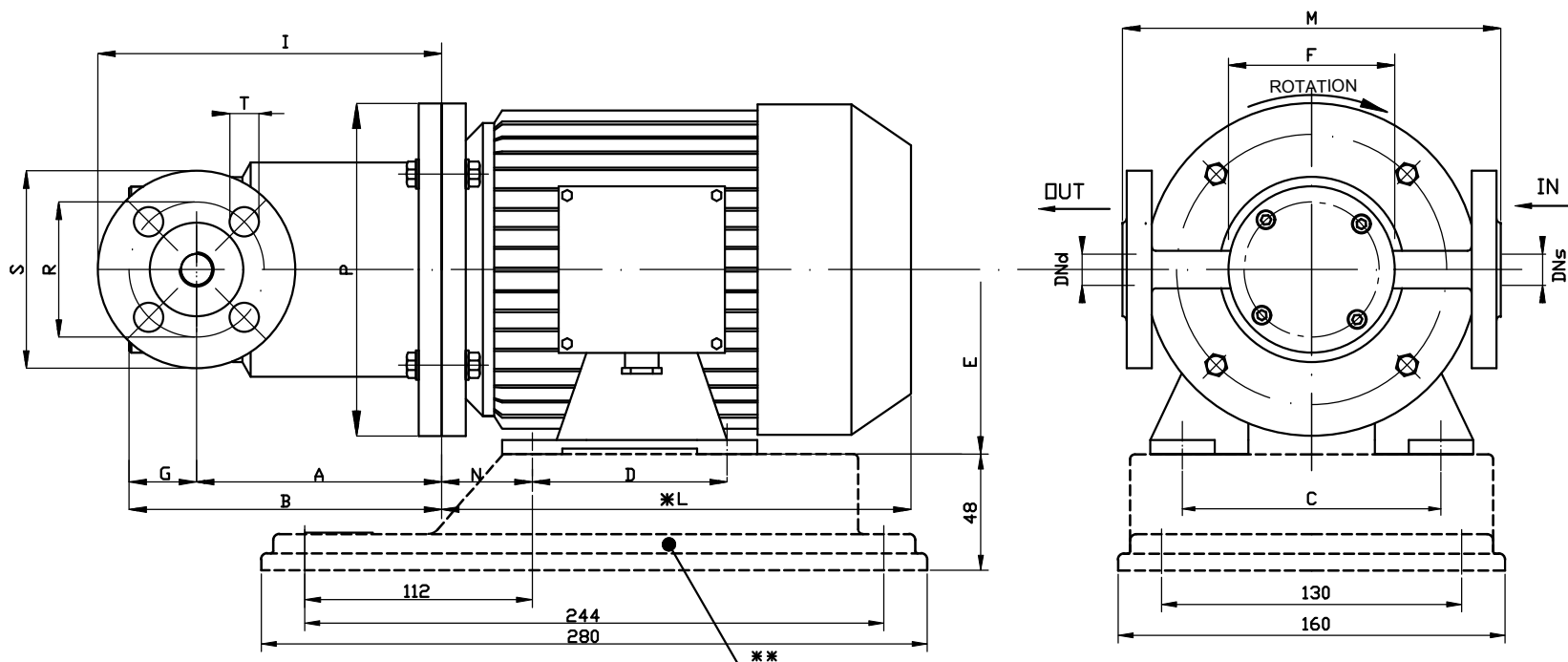
DIMENSIONS/DIMENSIONI D'INGOMBRO



PUMP TYPE	MOTOR FLANGE B3-B5	POT. Kw	DIMENSIONS - mm -											
			A	B	C	D	E	F	G	*L	N	O	P	Q
HPP-HPF 100 PP-PVDF	G 71 4B	0.37	128	164	112	90	71	90	36	215	45	3/8"G.	160	3/8"G.

* Different according to the manufacturer / Diverso a seconda del fornitore
 ** OPTIONAL: Baseplate/Piede d'appoggio - Flanges/Flange

DIMENSIONS/DIMENSIONI D'INGOMBRO



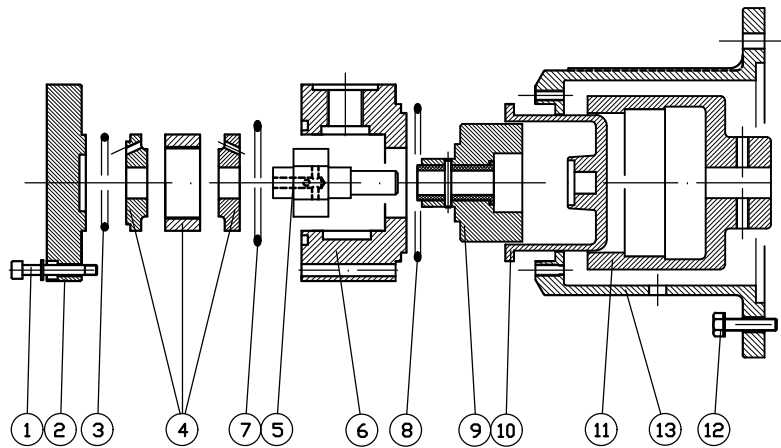
PUMP TYPE	MOTOR FLANGE B3-B5	POT. Kw	DIMENSIONS - mm -												FLANGES DIMENSIONS-mm DN15 - PN 16				
			A	B	C	D	E	F	G	I	*L	M	N	P	R	S	T	DN _s	DN _d
HPP-HPF 100 PP-PVDF	G 71 4B	0.37	128	164	112	90	71	90	36	176	215	182	45	160	65	95	14	15	15

* Different according to the manufacturer / Diverso a seconda del fornitore
 ** OPTIONAL: Baseplate/Piede d'appoggio

FEATURES/CARATTERISTICHE

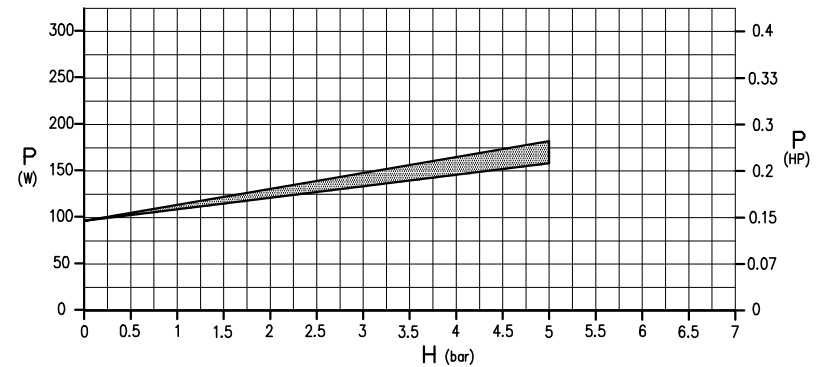
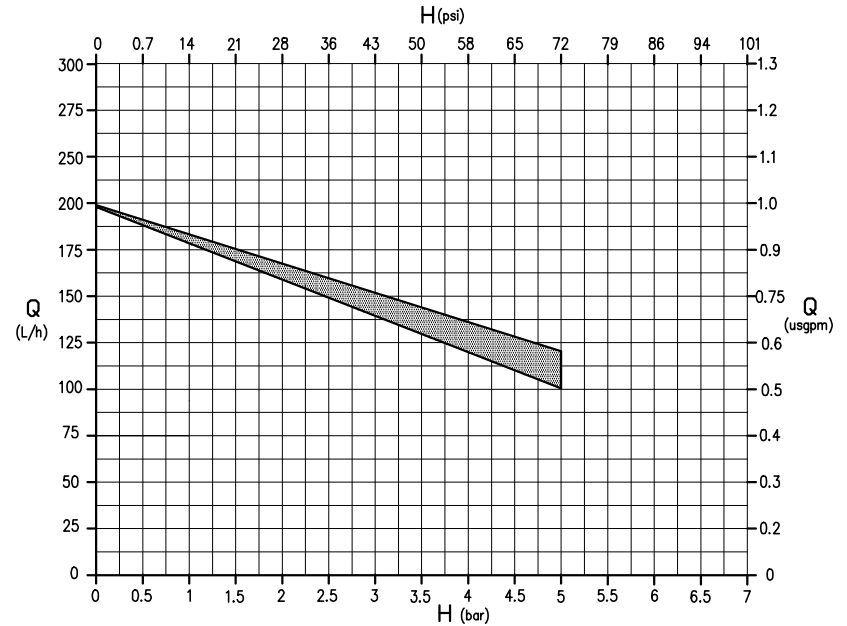
Materials available/Materiali disponibili:	PP-PVDF
Max flow/Portata massima:	200 L/h
Max head/Prevalenza massima:	5 bar
Max temperature/Temperatura massima:	PP 60°C/PVDF 90°C
Max viscosity/Viscosità massima:	200 cSt
Pressure rating/Pressione nominale massima:	NP/PN 5

SECTION AND PARTS LIST/SEZIONE E LISTA PARTI

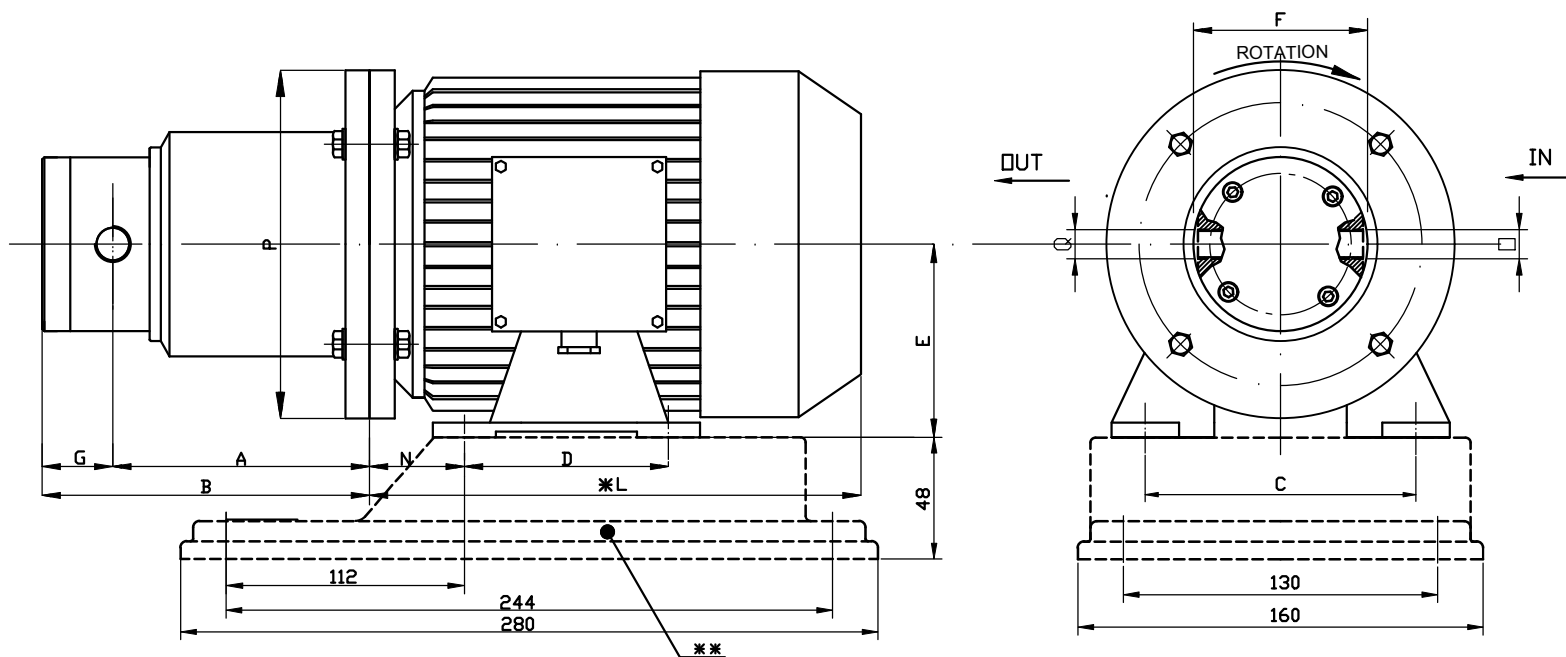


POS.	1	2	3	4	5	6	7	8	9	10	11	12	13
PART DESCR.	SET SCREWS	END COVER	O-RING	FLANGES STATOR VANES+PINS	ROTOR SHAFT	PUMP CASING	O-RING	O-RING	INTERNAL MAGNET	REAR CASING	EXTERNAL MAGNET	SET SCREWS	BRACKET
MAT.	AISI 304	PP PVDF	EPDM VITON	GRAPHITE+PVDF	PVDF	PP PVDF	EPDM VITON	EPDM VITON	PP PVDF	PP+GF PVDF+CF	C40+NdFeB	AISI 304	ALUMINIUM

CURVES/CURVE 50HZ-1450 RPM



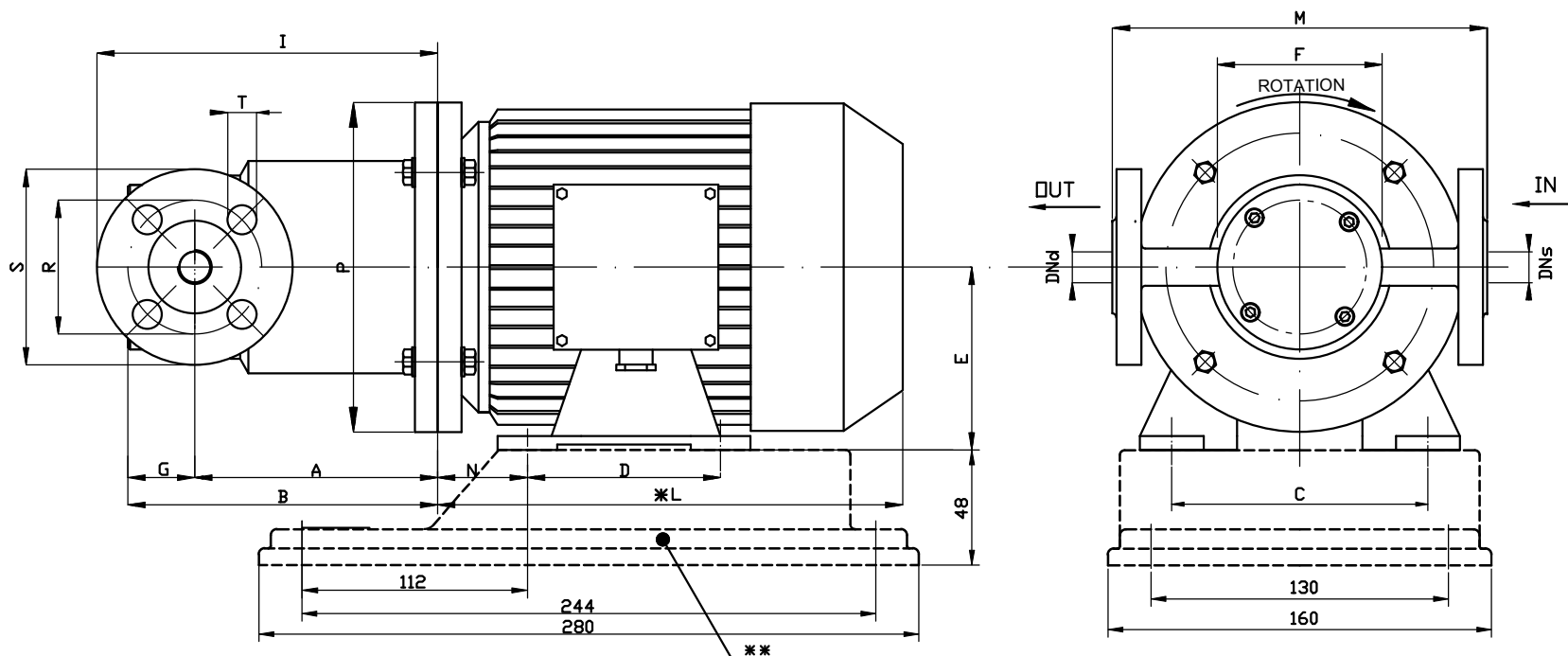
DIMENSIONS/DIMENSIONI D'INGOMBRO



PUMP TYPE	MOTOR FLANGE B3-B5	POT. Kw	DIMENSIONS - mm -											
			A	B	C	D	E	F	G	*L	N	O	P	Q
HPP-HPF 200 PP-PVDF	G 71 4B	0.37	128	164	112	90	71	90	36	215	45	3/8"G.	160	3/8"G.

* Different according to the manufacturer / Diverso a seconda del fornitore
** OPTIONAL: Baseplate/Piede d'appoggio - Flanges/Flange

DIMENSIONS/DIMENSIONI D'INGOMBRO



PUMP TYPE	MOTOR FLANGE B3-B5	POT. Kw	DIMENSIONS - mm -												FLANGES DIMENSIONS-mm DN15 - PN 16				
			A	B	C	D	E	F	G	I	*L	M	N	P	R	S	T	DNs	DNd
HPP-HPF 200 PP-PVDF	G 71 4B	0.37	128	164	112	90	71	90	36	176	215	182	45	160	65	95	14	15	15

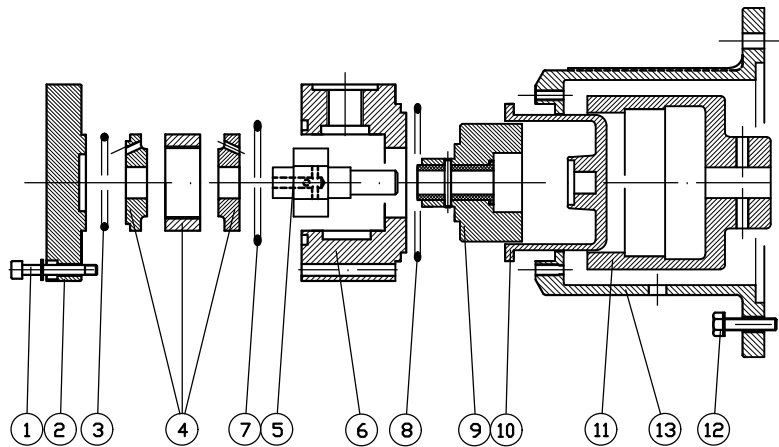
* Different according to the manufacturer / Diverso a seconda del fornitore

** OPTIONAL: Baseplate/Piede d'appoggio

FEATURES/CARATTERISTICHE

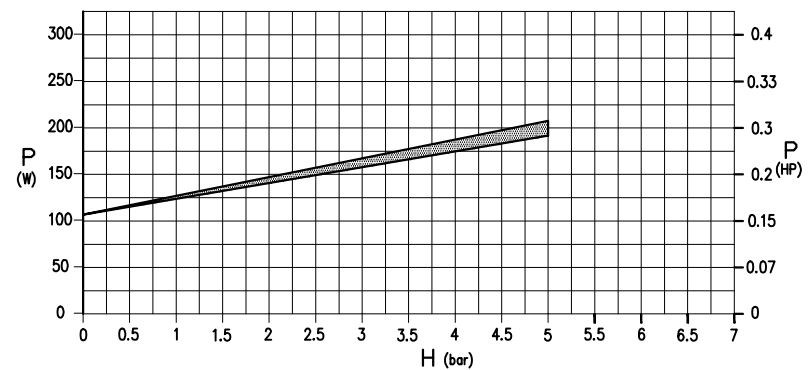
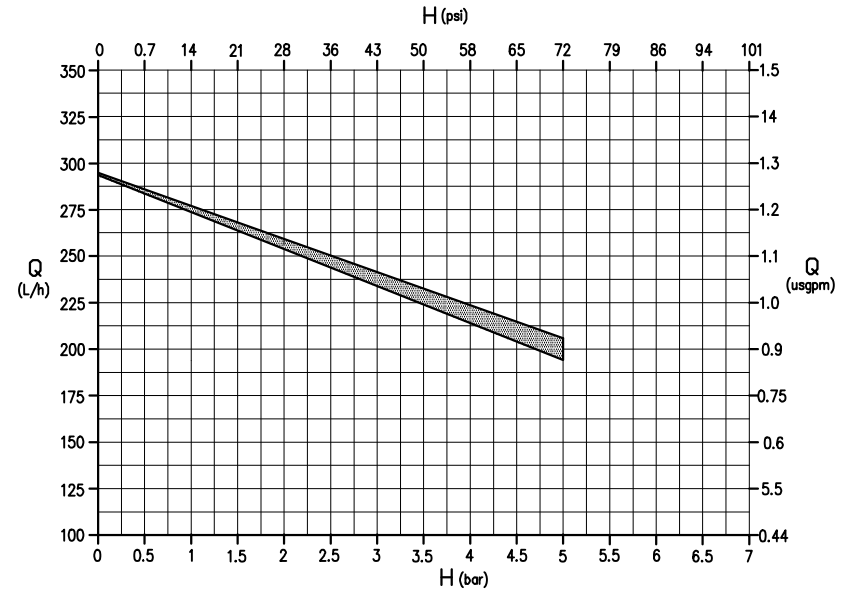
Materials available/Materiali disponibili:	PP-PVDF
Max flow/Portata massima:	290 L/h
Max head/Prevalenza massima:	5 bar
Max temperature/Temperatura massima:	PP 60°C/PVDF 90°C
Max viscosity/Viscosità massima:	200 cSt
Pressure rating/Pressione nominale massima:	NP/PN 5

SECTION AND PARTS LIST/SEZIONE E LISTA PARTI



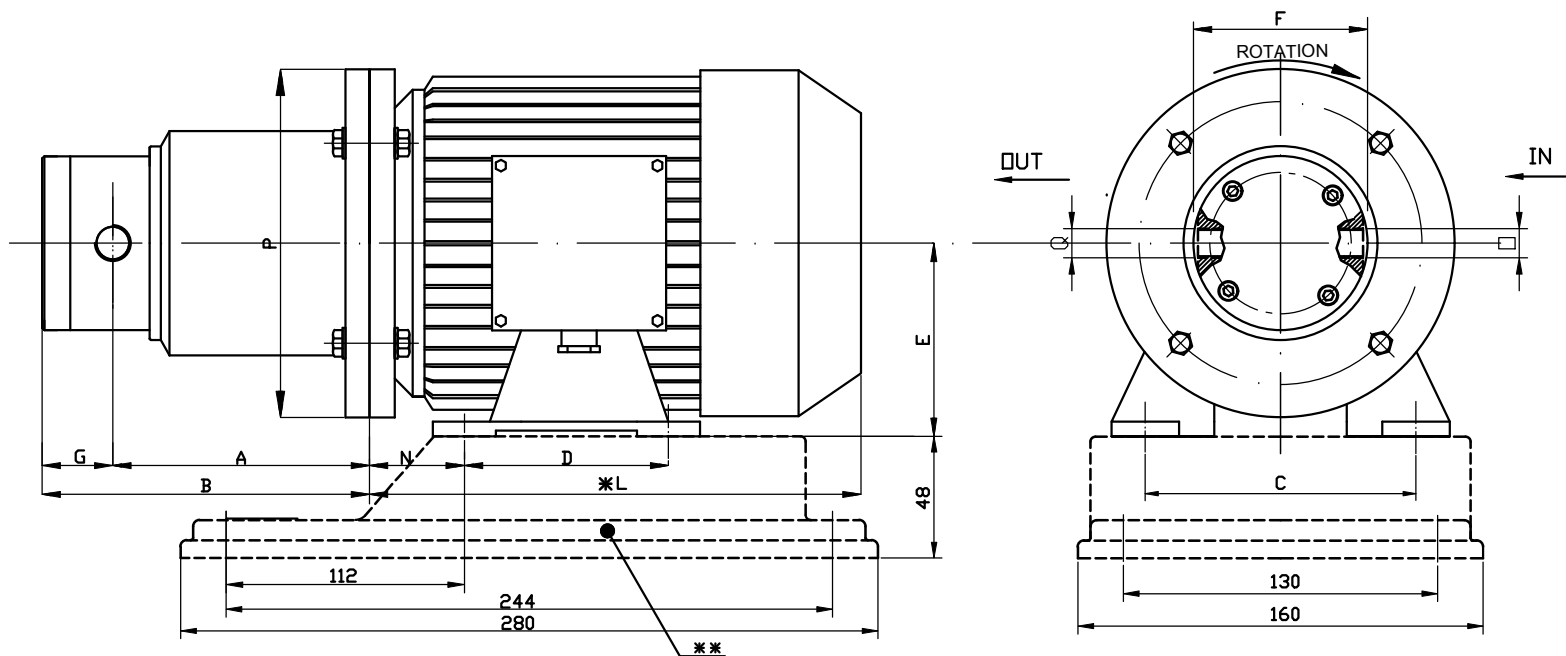
POS.	1	2	3	4	5	6	7	8	9	10	11	12	13
PART DESCR.	SET SCREWS	END COVER	O-RING	FLANGES STATOR VANES+PINS	ROTOR SHAFT	PUMP CASING	O-RING	O-RING	INTERNAL MAGNET	REAR CASING	EXTERNAL MAGNET	SET SCREWS	BRACKET
MAT.	ALSI 304	PP PVDF	EPDM VITON	GRAPHITE+PVDF	PVDF	PP PVDF	EPDM VITON	EPDM VITON	PP PVDF	PP+CF PVDF+CF	C40+NdFeB	ALSI 304	ALUMINIUM

CURVES/CURVE 50HZ-1450 RPM



All data stated are an indication and are liable to change without notice / Tutti i dati sono indicativi e possono variare senza preavviso

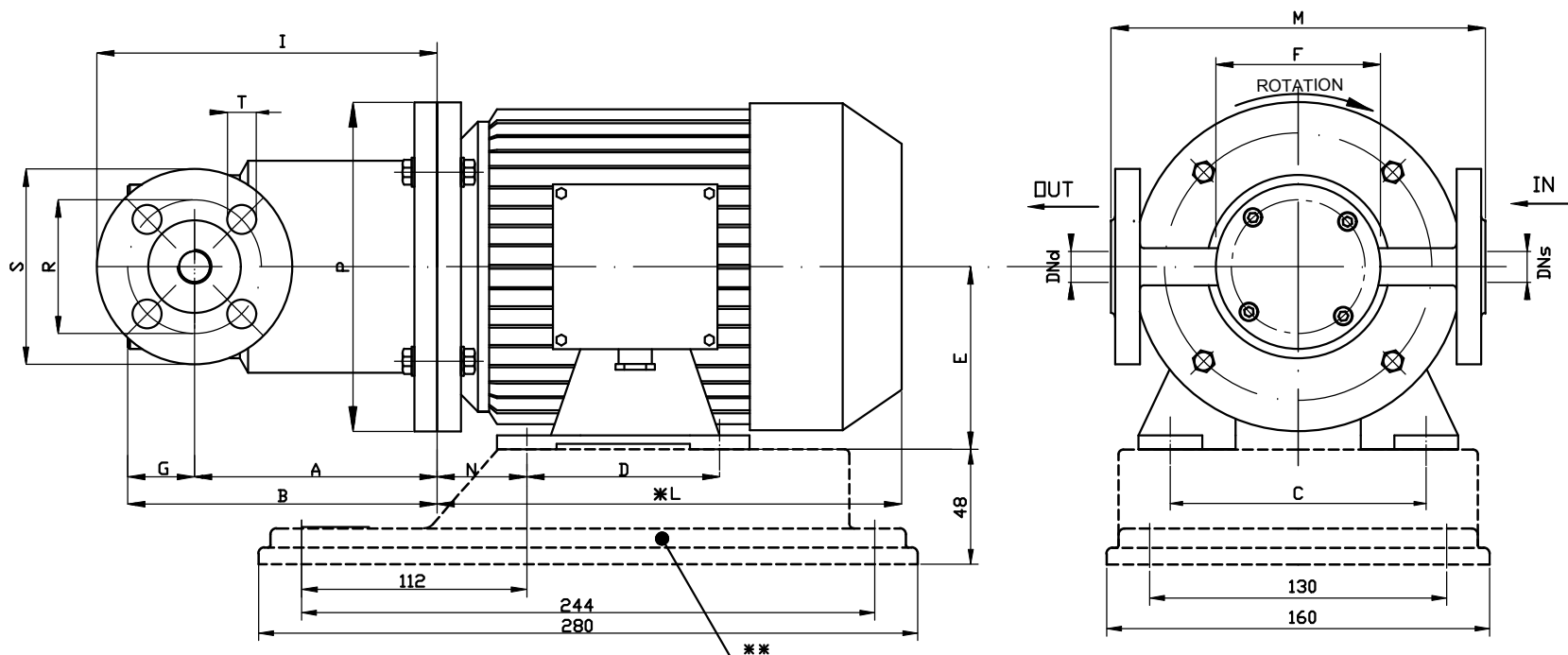
DIMENSIONS/DIMENSIONI D'INGOMBRO



PUMP TYPE	MOTOR FLANGE B3-B5	POT. Kw	DIMENSIONS - mm -											
			A	B	C	D	E	F	G	*L	N	O	P	Q
HPP-HPF 300 PP-PVDF	G 71 4B	0.37	128	164	112	90	71	90	36	215	45	3/8"G.	160	3/8"G.

* Different according to the manufacturer / Diverso a seconda del fornitore
** OPTIONAL: Baseplate/Piede d'appoggio - Flanges/Flange

DIMENSIONS/DIMENSIONI D'INGOMBRO



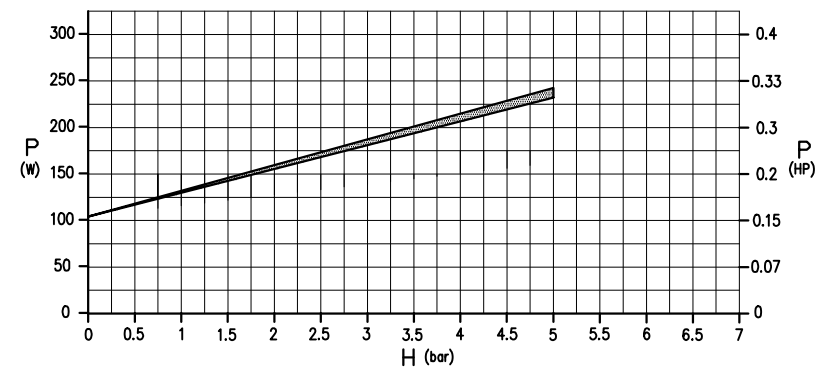
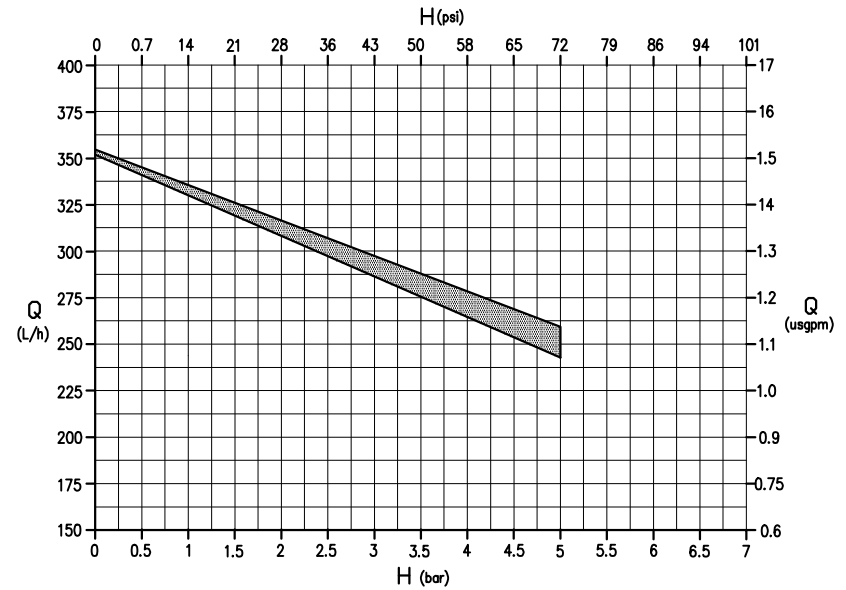
PUMP TYPE	MOTOR FLANGE B3-B5	POT. Kw	DIMENSIONS - mm -											FLANGES DIMENSIONS-mm DN15 - PN 16					
			A	B	C	D	E	F	G	I	*L	M	N	P	R	S	T	DNs	DNd
HPP-HPF 300 PP-PVDF	G 71 4B	0.37	128	164	112	90	71	90	36	176	215	182	45	160	65	95	14	15	15

* Different according to the manufacturer / Diverso a seconda del fornitore
** OPTIONAL: Baseplate/Piede d'appoggio

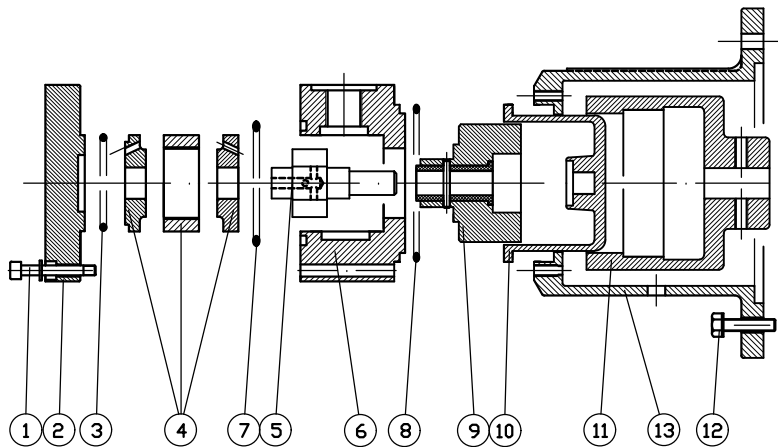
FEATURES/CARATTERISTICHE

Materials available/Materiali disponibili: PP-PVDF
 Max flow/Portata massima: 360 L/h
 Max head/Prevalenza massima: 5 bar
 Max temperature/Temperatura massima: PP 60°C/PVDF 90°C
 Max viscosity/Viscosità massima: 200 cSt
 Pressure rating/Pressione nominale massima: NP/PN 5

CURVES/CURVE 50HZ-1450 RPM



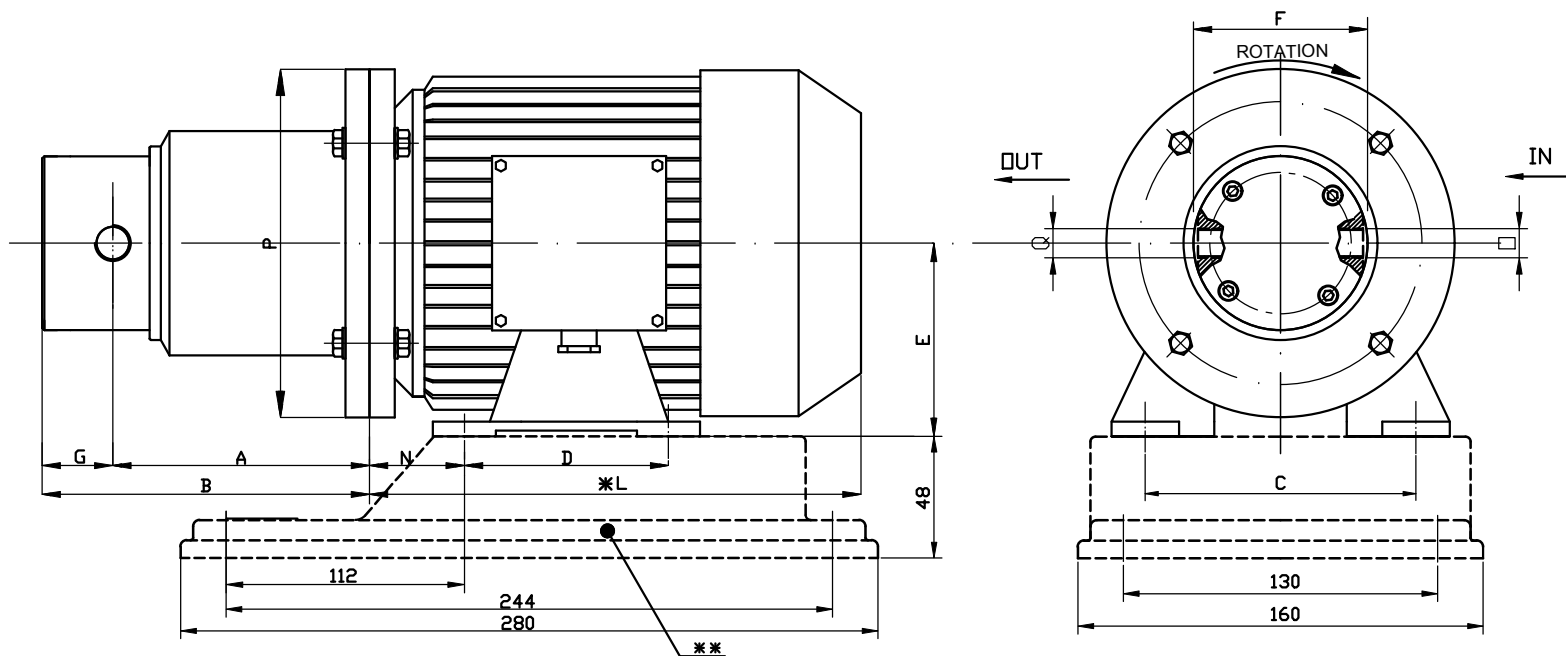
SECTION AND PARTS LIST/SEZIONE E LISTA PARTI



POS.	1	2	3	4	5	6	7	8	9	10	11	12	13
PART DESCR.	SET SCREWS	END COVER	O-RING	FLANGES STATOR VANES+PINS	ROTOR SHAFT	PUMP CASING	O-RING	O-RING	INTERNAL MAGNET	REAR CASING	EXTERNAL MAGNET	SET SCREWS	BRACKET
MAT.	AISI 304	PP PVDF	EPDM VITON	GRAPHITE+PVDF	PVDF	PP PVDF	EPDM VITON	EPDM VITON	PP PVDF	PP+GF PVDF+CF	C40+NdFeB	AISI 304	ALUMINIUM

All data stated are an indication and are liable to change without notice / Tutti i dati sono indicativi e possono variare senza preavviso

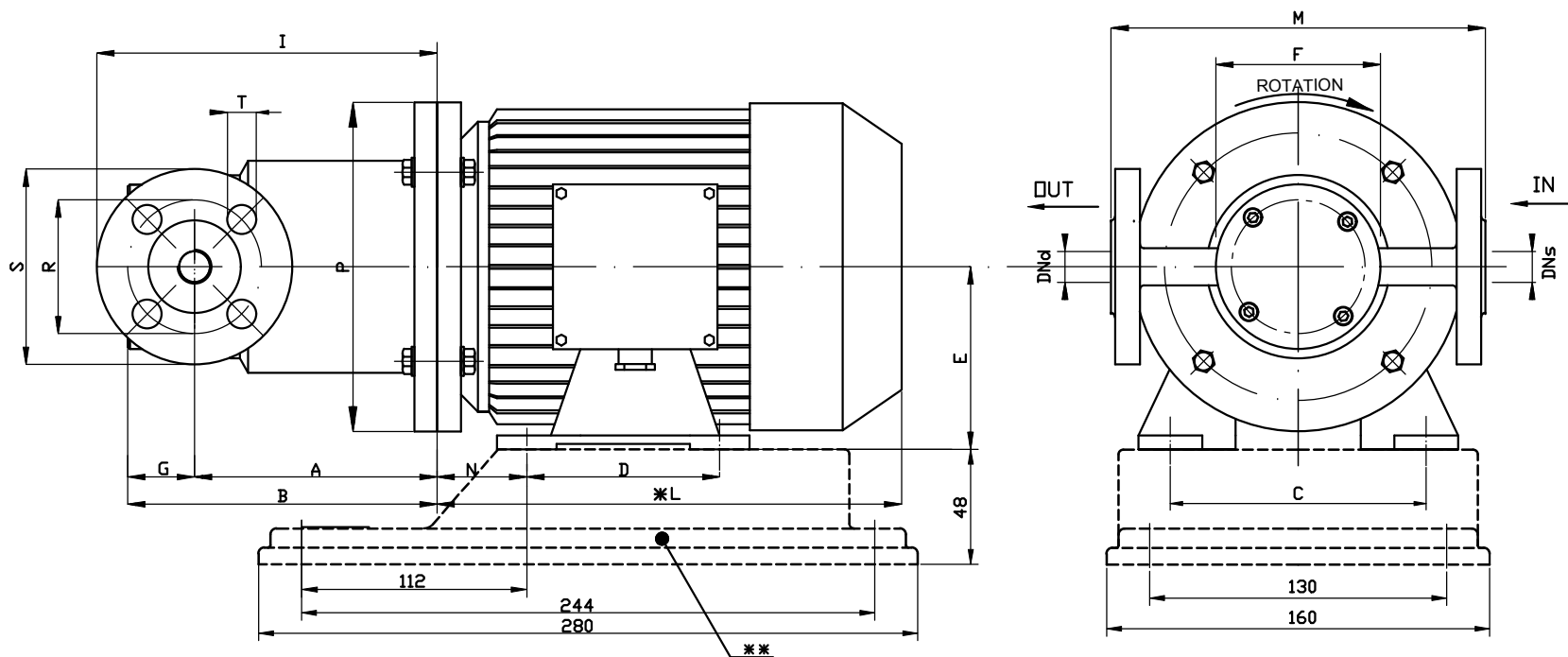
DIMENSIONS/DIMENSIONI D'INGOMBRO



PUMP TYPE	MOTOR FLANGE B3-B5	POT. Kw	DIMENSIONS - mm -											
			A	B	C	D	E	F	G	*L	N	(O)	P	(Q)
HPP-HPF 400 PP-PVDF	G 71 4B	0.37	128	164	112	90	71	90	36	215	45	3/8"G.	160	3/8"G.

* Different according to the manufacturer / Diverso a seconda del fornitore
** OPTIONAL: Baseplate/Piede d'appoggio - Flanges/Flange

DIMENSIONS/DIMENSIONI D'INGOMBRO



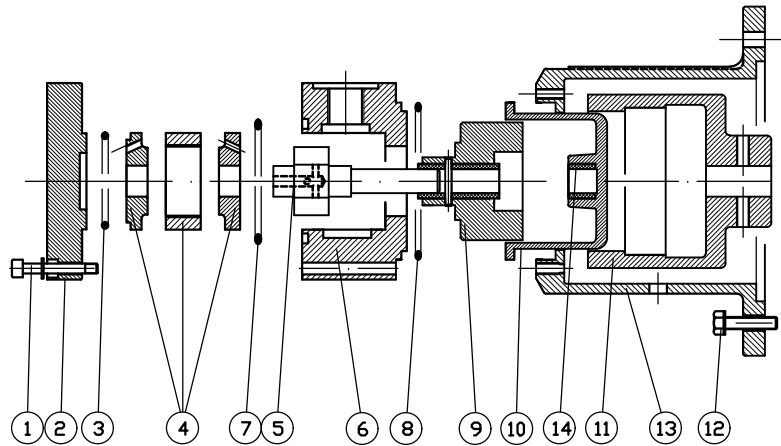
PUMP TYPE	MOTOR FLANGE B3-B5	POT. Kw	DIMENSIONS - mm -												FLANGES DIMENSIONS-mm DN15 - PN 16				
			A	B	C	D	E	F	G	I	*L	M	N	P	R	S	T	DNs	DNd
HPP-HPF 400 PP-PVDF	G 71 4B	0.37	128	164	112	90	71	90	36	176	215	182	45	160	65	95	14	15	15

* Different according to the manufacturer / Diverso a seconda del fornitore
 ** OPTIONAL: Baseplate/Piede d'appoggio

FEATURES/CARATTERISTICHE

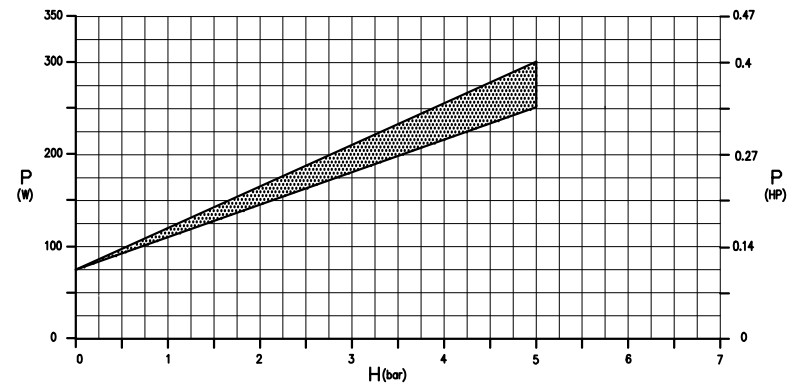
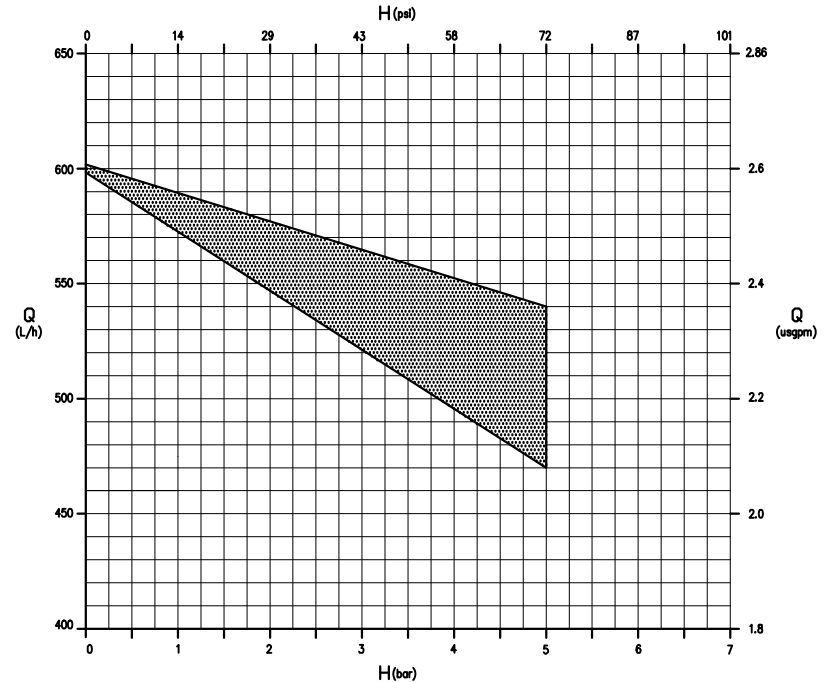
Materials available/Materiali disponibili: PP-PVDF
 Max flow/Portata massima: 600 L/h
 Max head/Prevalenza massima: 5 bar
 Max temperature/Temperatura massima: PP 60°C/PVDF 90°C
 Max viscosity/Viscosità massima: 200 cSt
 Pressure rating/Pressione nominale massima: NP/PN 5

SECTION AND PARTS LIST/SEZIONE E LISTA PARTI



POS.	1	2	3	4	5	6	7	8	9	10	11	12	13	14
PART DESCR.	SET SCREWS	END COVER	O-RING	FLANGES STATOR VANES+PINS	ROTOR SHAFT	PUMP CASING	O-RING	O-RING	INTERNAL MAGNET	REAR CASING	EXTERNAL MAGNET	SET SCREWS	BRACKET	BEARING
MAT.	AISI 304	PP PVDF	EPDM VITON	GRAPHITE+PVDF	PVDF	PP PVDF	EPDM VITON	EPDM VITON	PP PVDF	PP+GF PVDF+CF	C40+NdFeB	AISI 304	ALUMINIUM	PIFEC

CURVES/CURVE 50HZ-1450 RPM

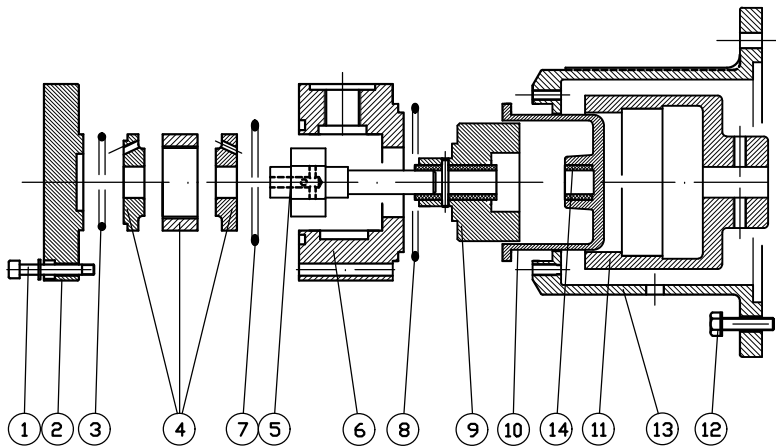


All data stated are an indication and are liable to change without notice / Tutti i dati sono indicativi e possono variare senza preavviso

FEATURES/CARATTERISTICHE

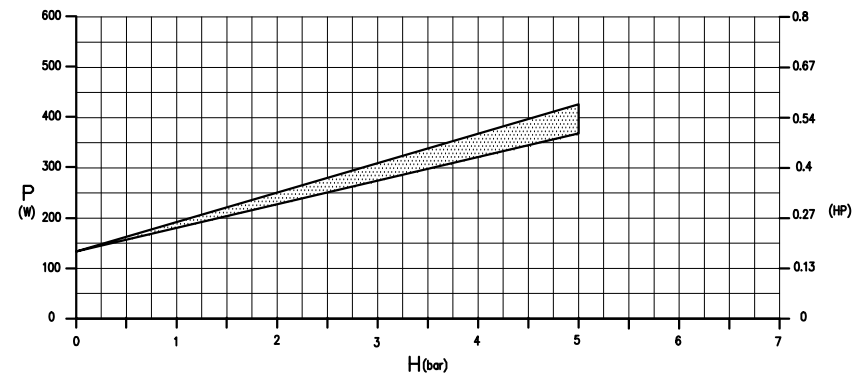
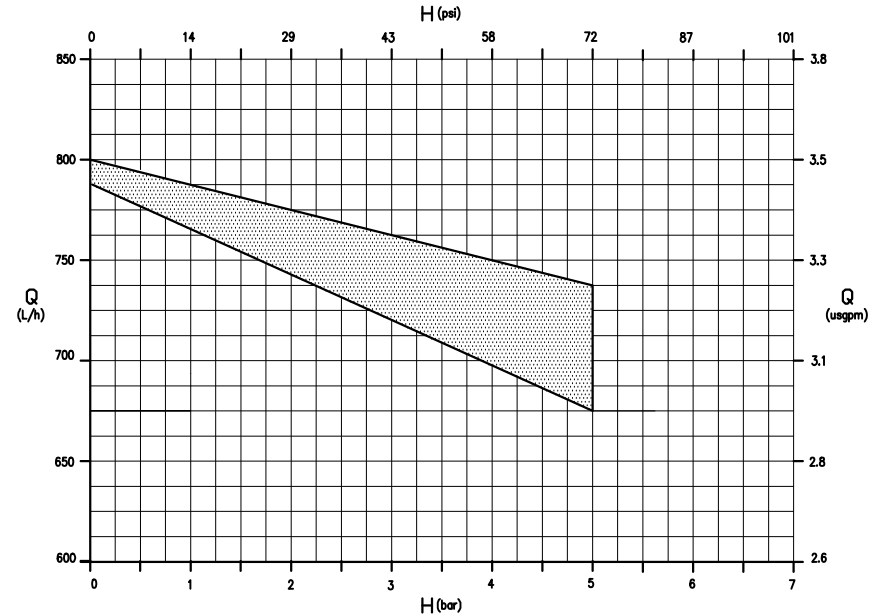
Materials available/Materiali disponibili: PP-PVDF
 Max flow/Portata massima: 800 L/h
 Max head/Prevalenza massima: 5 bar
 Max temperature/Temperatura massima: PP 60°C/PVDF 90°C
 Max viscosity/Viscosità massima: 200 cSt
 Pressure rating/Pressione nominale massima: NP/PN 5

SECTION AND PARTS LIST/SEZIONE E LISTA PARTI



POS.	1	2	3	4	5	6	7	8	9	10	11	12	13	14
PART. DESCR.	SET SCREWS	END COVER	O-RING	FLANGES STATOR VANES+PINS	ROTOR SHAFT	PUMP CASING	O-RING	O-RING	INTERNAL MAGNET	REAR CASING	EXTERNAL MAGNET	SET SCREWS	BRACKET	BEARING
MAT.	AI SI 304	PP PVDF	EPDM VITON	GRAPHITE+PVDF	PVDF	PP PVDF	EPDM VITON	EPDM VITON	PP PVDF	PP+CF PVDF+CF	C40+NdFeB	AI SI 304	ALUMINIUM	PTFE

CURVES/CURVE 50HZ-1450 RPM

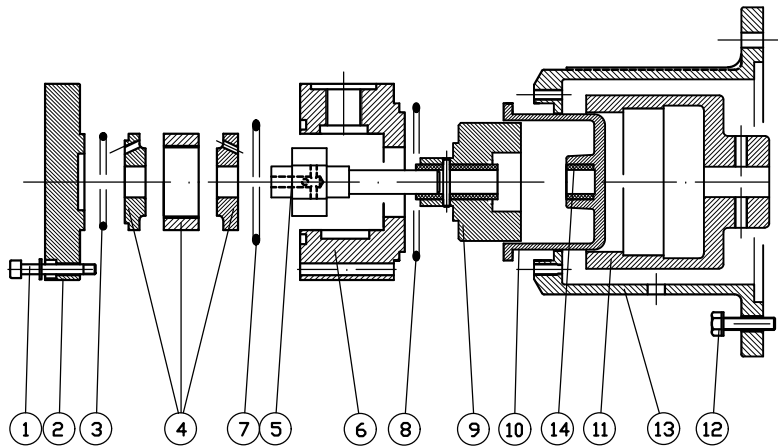


All data stated are an indication and are liable to change without notice / Tutti i dati sono indicativi e possono variare senza preavviso

FEATURES/CARATTERISTICHE

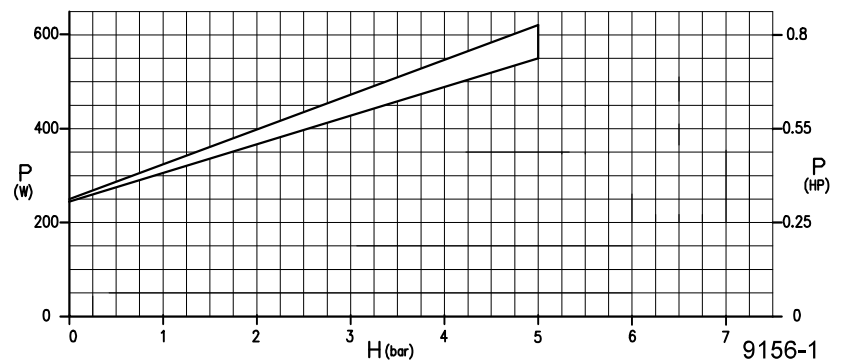
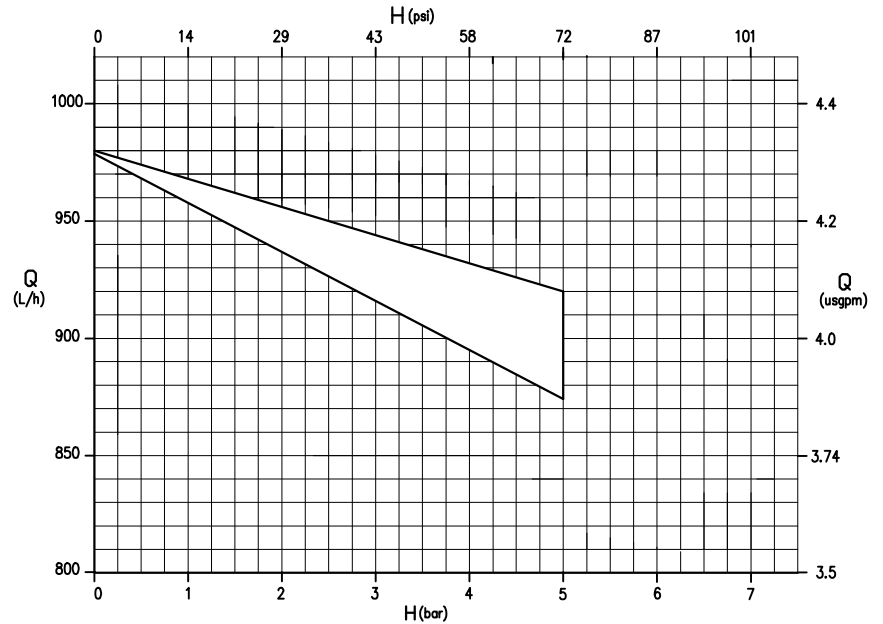
Materials available/Materiali disponibili: PP-PVDF
 Max flow/Portata massima: 980 L/h
 Max head/Prevalenza massima: 5 bar
 Max temperature/Temperatura massima: PP 60°C/PVDF 90°C
 Max viscosity/Viscosità massima: 200 cSt
 Pressure rating/Pressione nominale massima: NP/PN 5

SECTION AND PARTS LIST/SEZIONE E LISTA PARTI

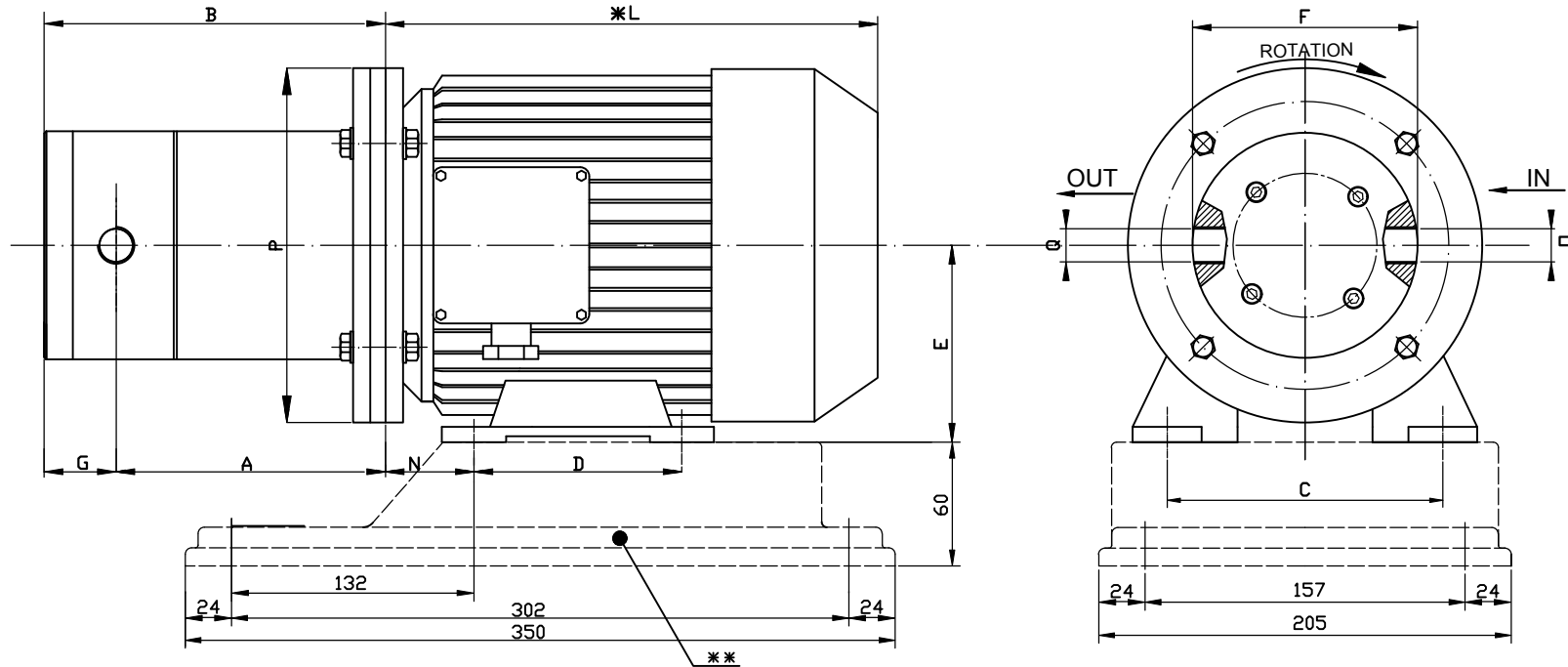


POS.	1	2	3	4	5	6	7	8	9	10	11	12	13	14
PART DESCR.	SET SCREWS	END COVER	O-RING	FLANGES STATOR VANES+PINS	ROTOR SHAFT	PUMP CASING	O-RING	O-RING	INTERNAL MAGNET	REAR CASING	EXTERNAL MAGNET	SET SCREWS	BRACKET	BEARING
MAT.	AISI 304	PP PVDF	EPDM VITON	GRAPHITE+PVDF	PVDF	PP PVDF	EPDM VITON	EPDM VITON	PP PVDF	PP+GF PVDF+CF	C40+NdFeB	AISI 304	ALUMINIUM	PTFEC

CURVES/CURVE 50HZ-1450 RPM

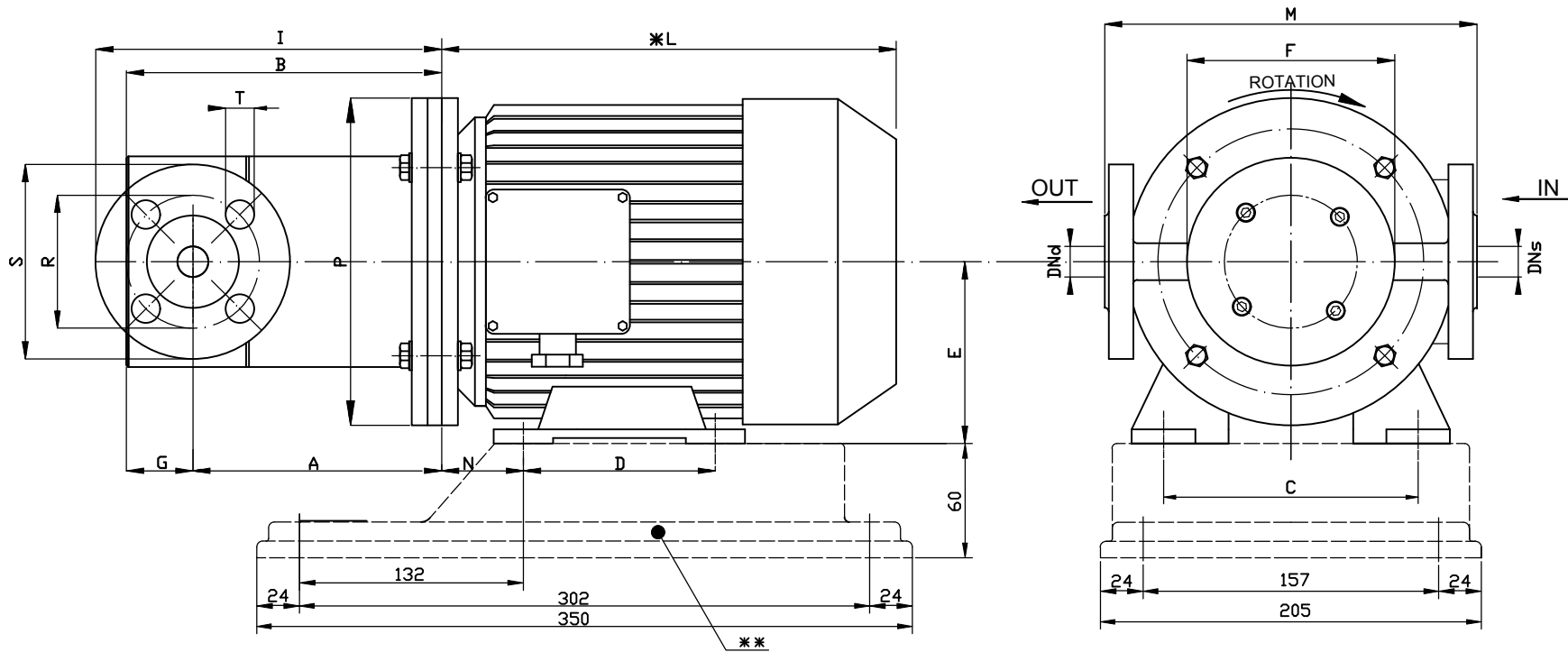


All data stated are an indication and are liable to change without notice / Tutti i dati sono indicativi e possono variare senza preavviso



PUMP TYPE	MOTOR FLANGE B3-B5	POT. Kw	DIMENSIONS - mm -											
			A	B	C	D	E	F	G	*L	N	P	O	Q
HPP-HPF 600-800-1000 PP-PVDF	G 90	1.1 1.5	179	223	140	100	90	127	44	255	56	200	1/2"G.	1/2"G.

* Different according to the manufacturer / Diverso a seconda del fornitore
 ** OPTIONAL-UPON REQUEST/SU RICHIESTA: Baseplate Tyte B/Piede d'appoggio Tipo B - Flanges/Flange



PUMP TYPE	MOTOR FLANGE B3-B5	POT. Kw	DIMENSIONS - mm -											FLANGES DIMENSIONS-mm DN20 - PN 16					
			A	B	C	D	E	F	G	I	*L	M	N	P	R	S	T	DNs	DNd
HPP-HPF 600-800-1000 PP-PVDF	G 90 S2	1.5	179	223	140	100	90	127	44	232	255	218	56	200	75	105	14	20	20

* Different according to the manufacturer / Diverso a seconda del fornitore

** OPTIONAL-UPON REQUEST/SU RICHIESTA: Baseplate Tyte B/Piede d'appoggio Tipo B