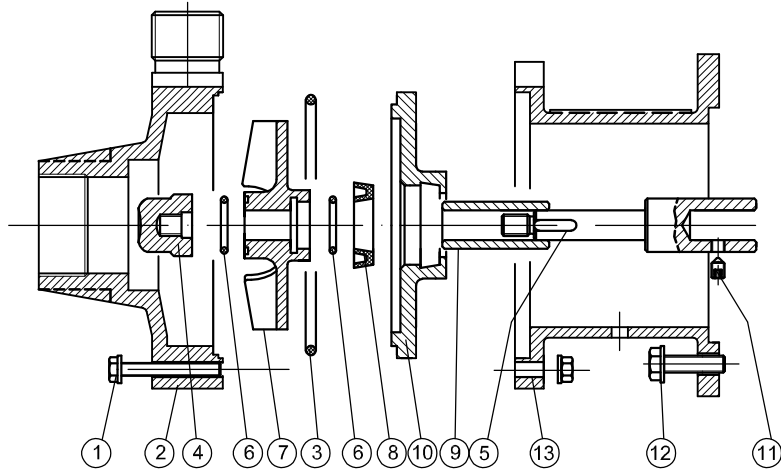


FEATURES/CARATTERISTICHE

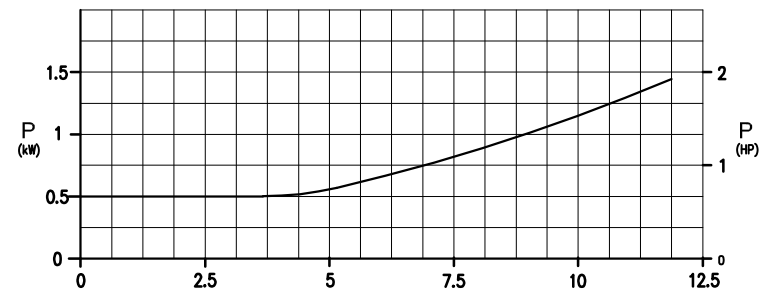
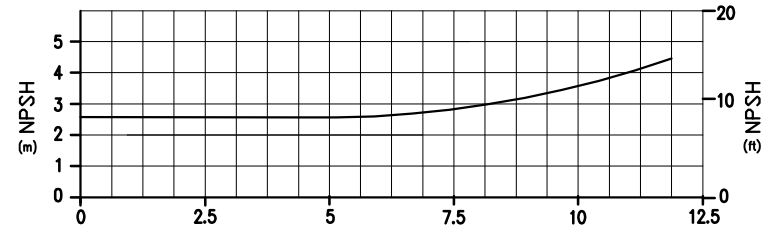
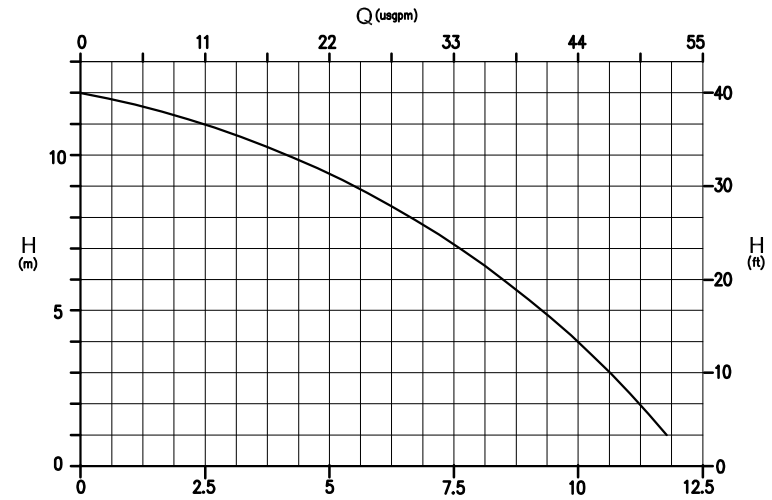
Materials available/Materiali disponibili: PP-PVDF  
 Max flow/Portata massima: 12 m<sup>3</sup>/h  
 Max head/Prevalenza massima: 12 m  
 Max temperature/Temperatura massima: PP 60°C/PVDF 90°C  
 Max viscosity/Viscosità massima: 200 cSt  
 Pressure rating/Pressione nominale massima: NP/PN 6 @ 20°C  
 Seal/Tenuta: Lip seal/Tenuta a labbro

SECTION AND PARTS LIST/SEZIONE E LISTA PARTI



POS.	1	2	3	4	5	6	7	8	9	10	11	12	13
PART DESCR.	SET SCREWS	PUMP HEAD	O-RING	IMPELLER NUT	SHAFT	O-RING	IMPELLER	LIP SEAL	SHAFT SLEEVE	COVER	GRUB SCREW	SET SCREWS	BRACKET
MAT.	AISI304	PP+GF PVDF+CF	EPDM VITON	PP-PVDF	C40 AISI316	EPDM VITON	PP-PVDF	EPDM VITON	AI203	PP+GF PVDF+CF	AISI304	AISI304	PP

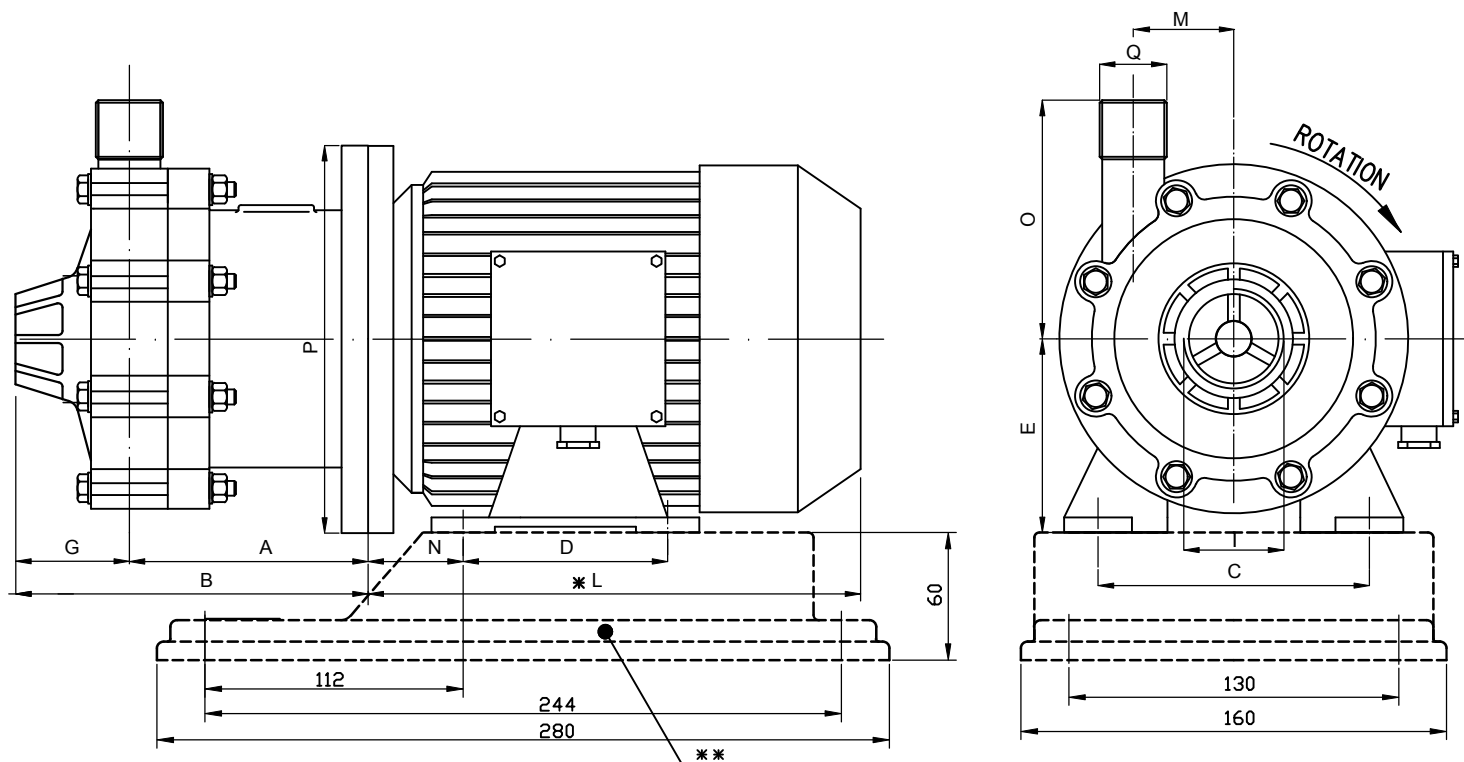
CURVES/CURVE 50HZ-2900 RPM



Q (m<sup>3</sup>/h)

All data stated are an indication and are liable to change without notice / Tutti i dati sono indicativi e possono variare senza preavviso

DIMENSIONS/DIMENSIONI D'INGOMBRO

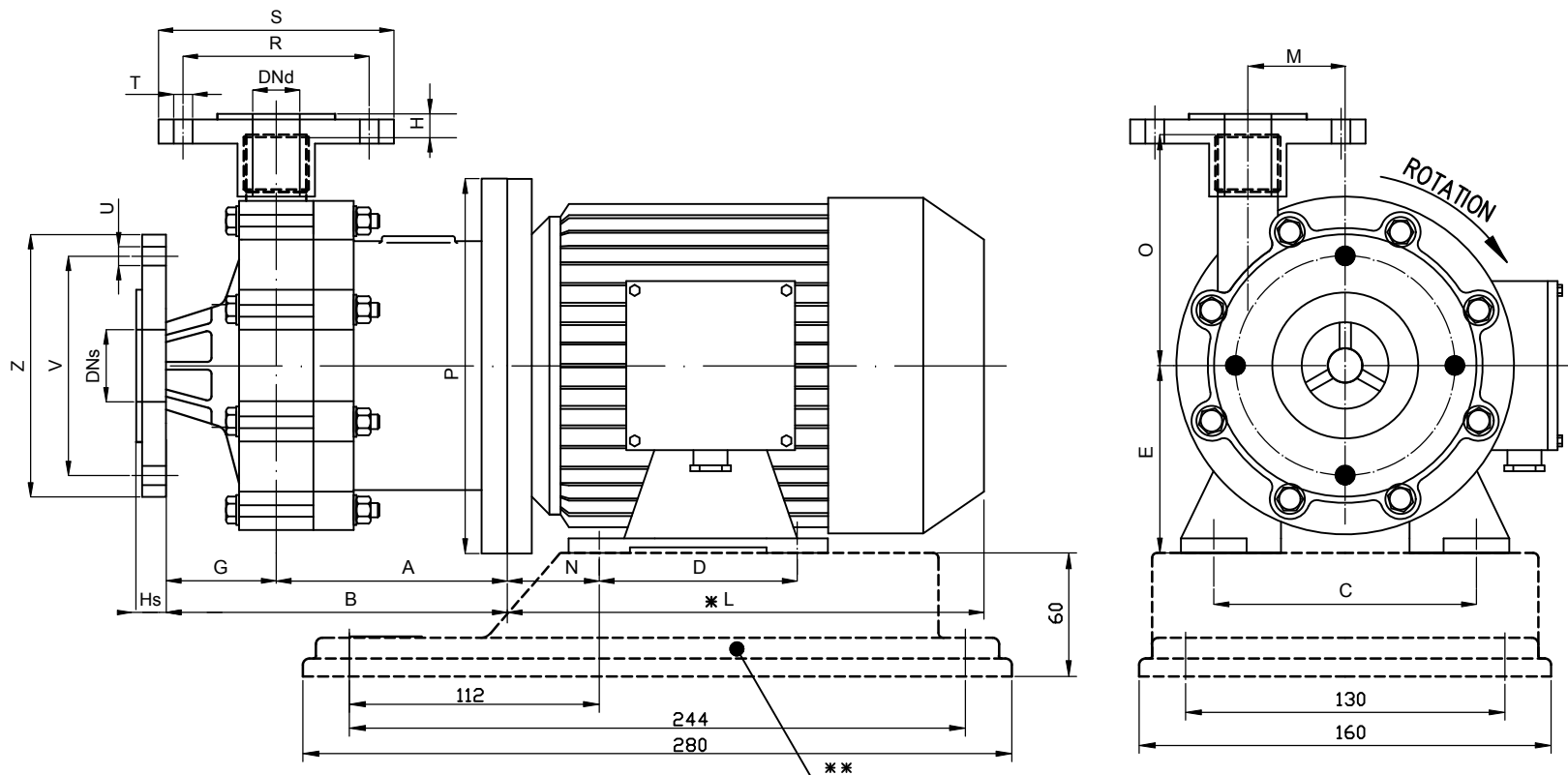


PUMP TYPE	MOTOR FLANGE B3-B5	POT. Kw	DIMENSIONS - mm -												
			A	B	C	D	E	G	I	*L	M	N	O	P	Q
HCO 95-10	G 71 B	0.55	110	180	112	90	71	70	1 1/2" FEMALE	215	45	45	100	160	1" MALE

\* Different according to the manufacturer / Diverso a seconda del fornitore

\*\* OPTIONAL-UPON REQUEST/SU RICHIESTA: Baseplate/Piede d'appoggio - Flanges/Flange

DIMENSIONS/DIMENSIONI D'INGOMBRO



PUMP TYPE	MOTOR FLANGE B3-B5	POT. Kw	DIMENSIONS - mm -													FLANGES DIN PN 10-DIMENSIONS - mm -							
			A	B	C	D	E	Hs	G	H	*L	M	N	O	P	R	S	T	U	V	Z	DNs	DNd
HCO 95-10	G 71 B	0.55	110	180	112	90	71	20	70	9	215	45	45	100	160	85	115	14	18	110	150	40	25

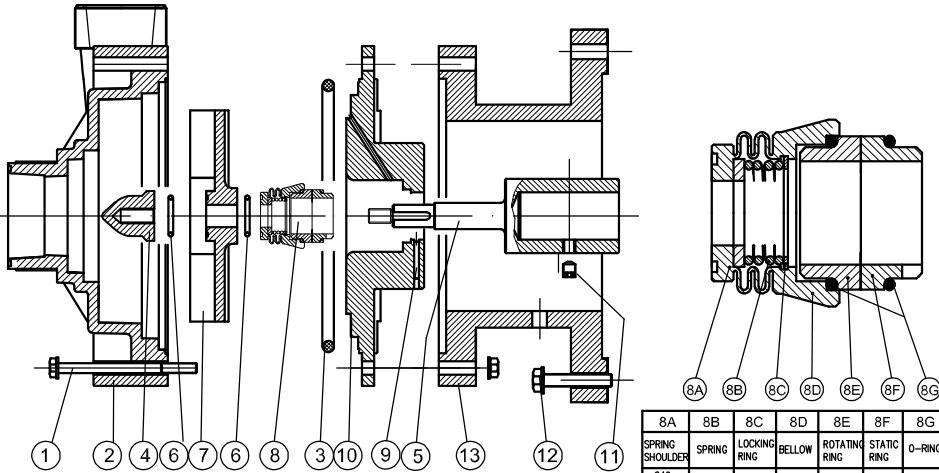
\* Different according to the manufacturer / Diverso a seconda del fornitore

\*\* OPTIONAL-UPON REQUEST/SU RICHIESTA: Baseplate/Piede d'appoggio

## FEATURES/CARATTERISTICHE

Materials available/Materiali disponibili:	PP-PVDF
Max flow/Portata massima:	20 m <sup>3</sup> /h
Max head/Prevalenza massima:	13 m
Max temperature/Temperatura massima:	PP 60°C/PVDF 90°C
Max viscosity/Viscosità massima:	200 cSt
Pressure rating/Pressione nominale massima:	NP/PN 6 @ 20°C
Seal/Tenuta:	Internal PTFE bellows mechanical seal/Tenuta meccanica interna con soffiello in PTFE

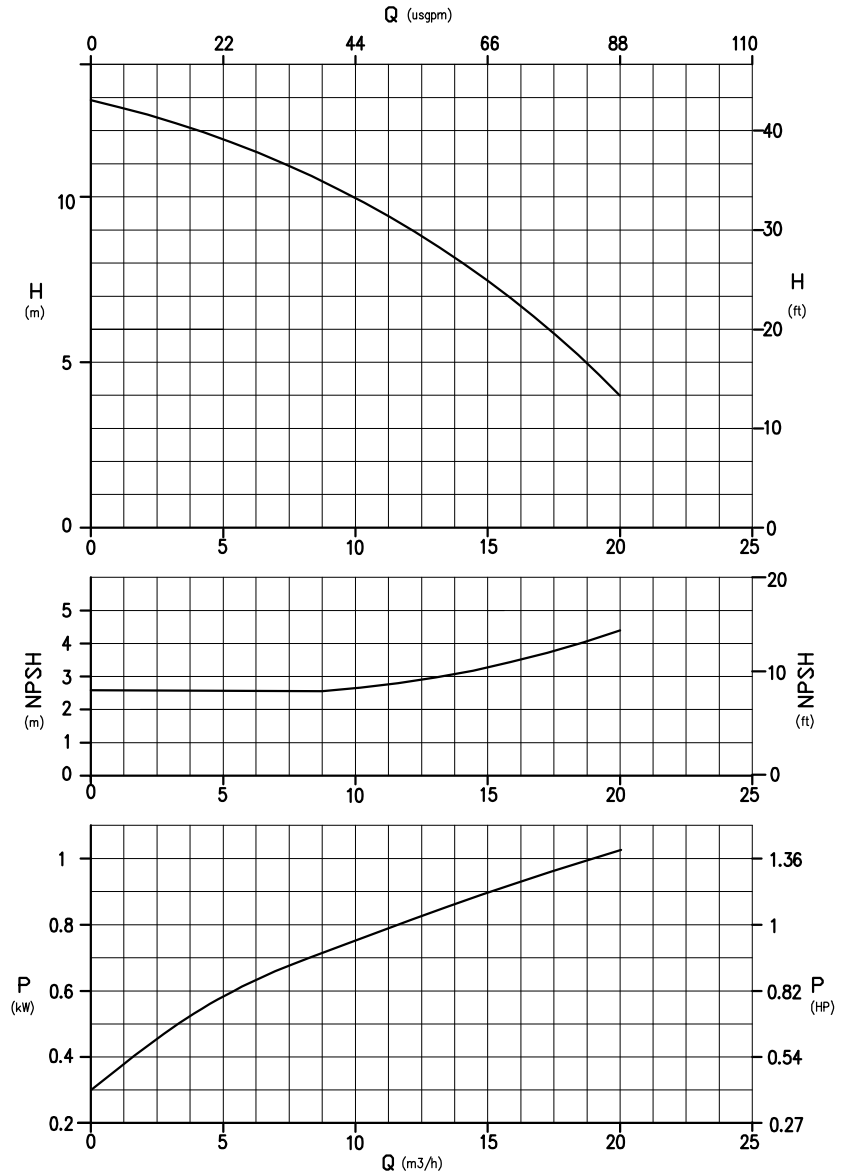
## SECTION AND PARTS LIST/SEZIONE E LISTA PARTI



8A	8B	8C	8D	8E	8F	8G
SPRING SHOULDER	SPRING	LOCKING RING	BELLOW	ROTATING RING	STATIC RING	O-RING
C40 AISI304	STEEL	STEEL	PTFE	Al2O3	SIC	EPDM VITON

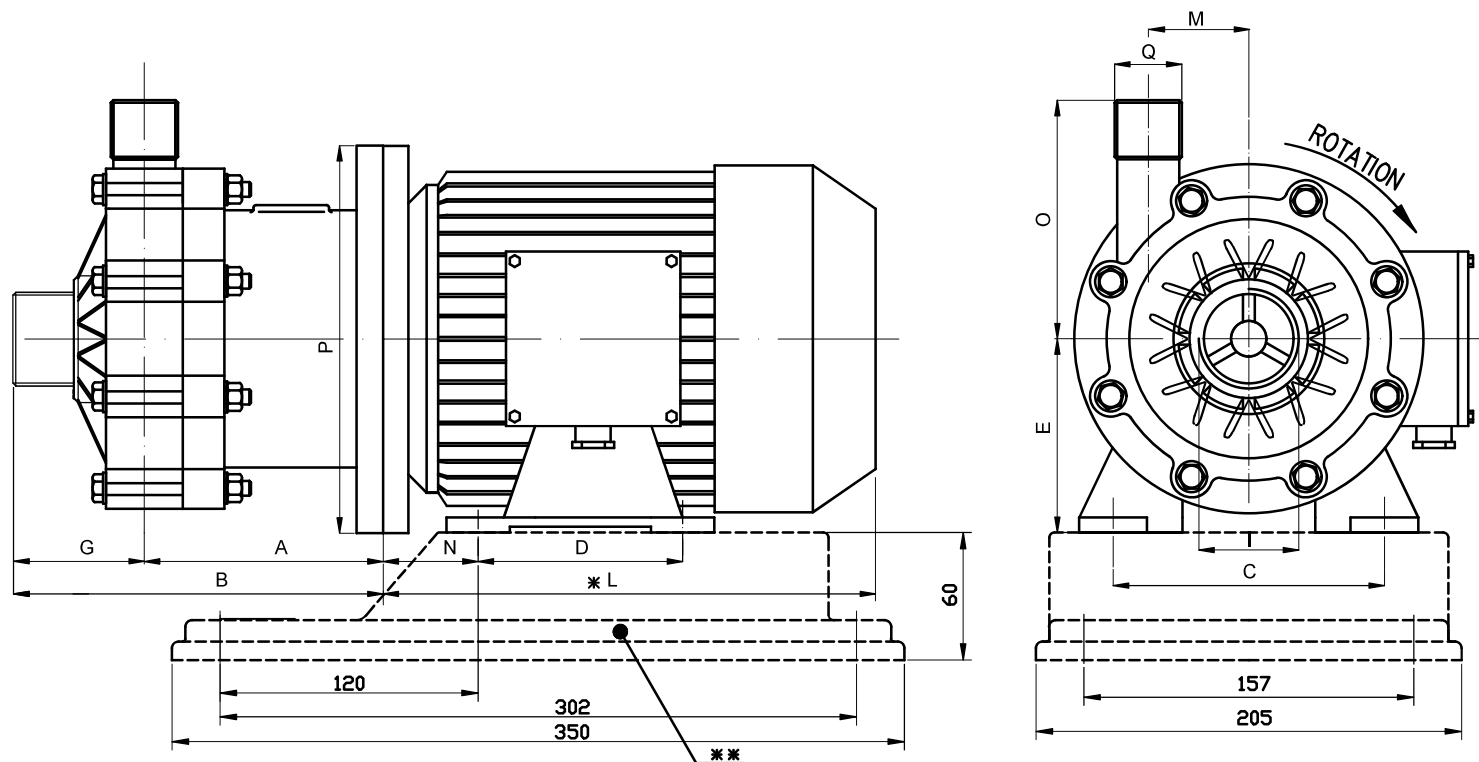
POS.	1	2	3	4	5	6	7	8	9	10	11	12	13
PART DESCR.	SET SCREWS	PUMP HEAD	O-RING	IMPELLER NUT	SHAFT	O-RING	IMPELLER	MECHANICAL SEAL	PIN	COVER	GRUB SCREW	SET SCREWS	BRACKET
MAT.	AISI304	PP+GF PVDF+CF	EPDM VITON	PP-PVDF	C40 AISI316	EPDM VITON	PP-PVDF	●	AISI304	PP+GF PVDF+CF	AISI304	AISI304	PP

## CURVES/CURVE 50HZ-2900 RPM



All data stated are an indication and are liable to change without notice / Tutti i dati sono indicativi e possono variare senza preavviso

DIMENSIONS/DIMENSIONI D'INGOMBRO

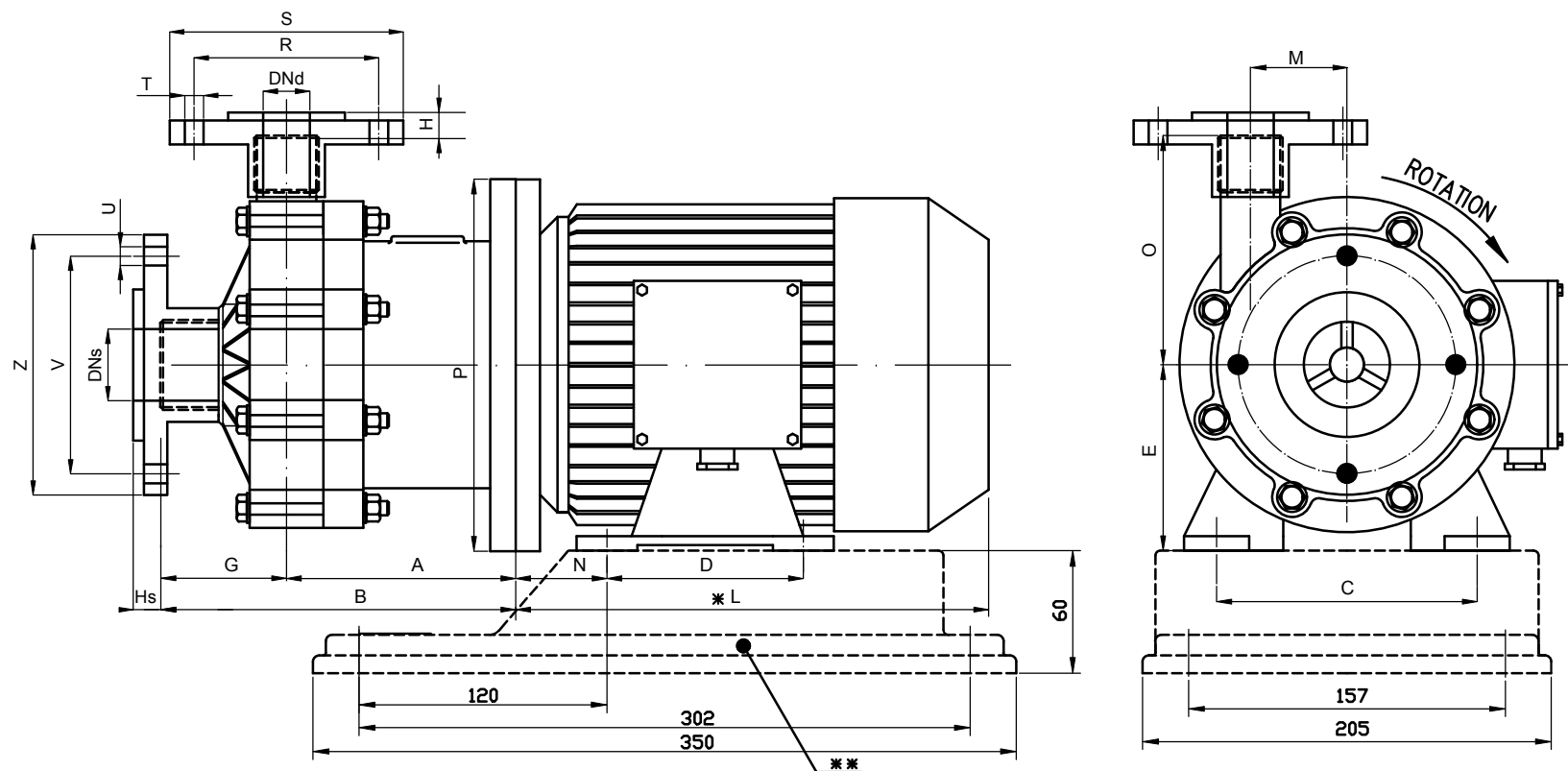


PUMP TYPE	MOTOR FLANGE B3-B5	POT. Kw	DIMENSIONS - mm -												
			A	B	C	D	E	G	I	*L	M	N	O	P	Q
HCO 110	G 80 B	1.1	199	290	125	100	80	91	2 1/2" MALE	232	66	50	140	200	2" MALE

\* Different according to the manufacturer / Diverso a seconda del fornitore

\*\* OPTIONAL-UPON REQUEST/SU RICHIESTA: Baseplate/Piede d'appoggio - Flanges/Flange

DIMENSIONS/DIMENSIONI D'INGOMBRO



PUMP TYPE	MOTOR FLANGE B3-B5	POT. Kw	DIMENSIONS - mm -												FLANGES DIN PN 10-DIMENSIONS - mm -								
			A	B	C	D	E	Hs	G	H	*L	M	N	O	P	R	S	T	U	V	Z	DNs	DNd
HCO 110	G 80 B	1.1	199	290	125	100	80	10	91	13	232	66	50	140	200	125	168	18	18	145	188	65	50

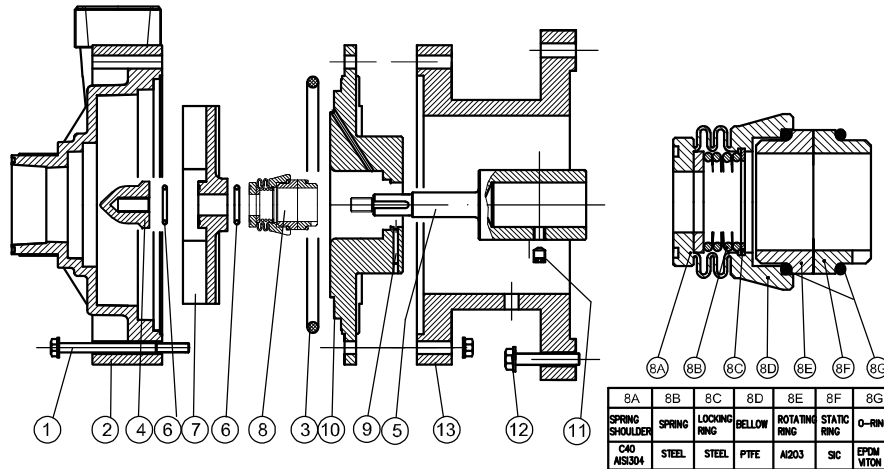
\* Different according to the manufacturer / Diverso a seconda del fornitore

\*\* OPTIONAL-UPON REQUEST/SU RICHIESTA: Baseplate/Piede d'appoggio

FEATURES/CARATTERISTICHE

Materials available/Materiali disponibili: PP-PVDF  
 Max flow/Portata massima: 25 m<sup>3</sup>/h  
 Max head/Prevalenza massima: 16 m  
 Max temperature/Temperatura massima: PP 60°C/PVDF 90°C  
 Max viscosity/Viscosità massima: 200 cSt  
 Pressure rating/Pressione nominale massima: NP/PN 6 @ 20°C  
 Seal/Tenuta: Internal PTFE bellows mechanical seal/Tenuta meccanica interna con soffiello in PTFE

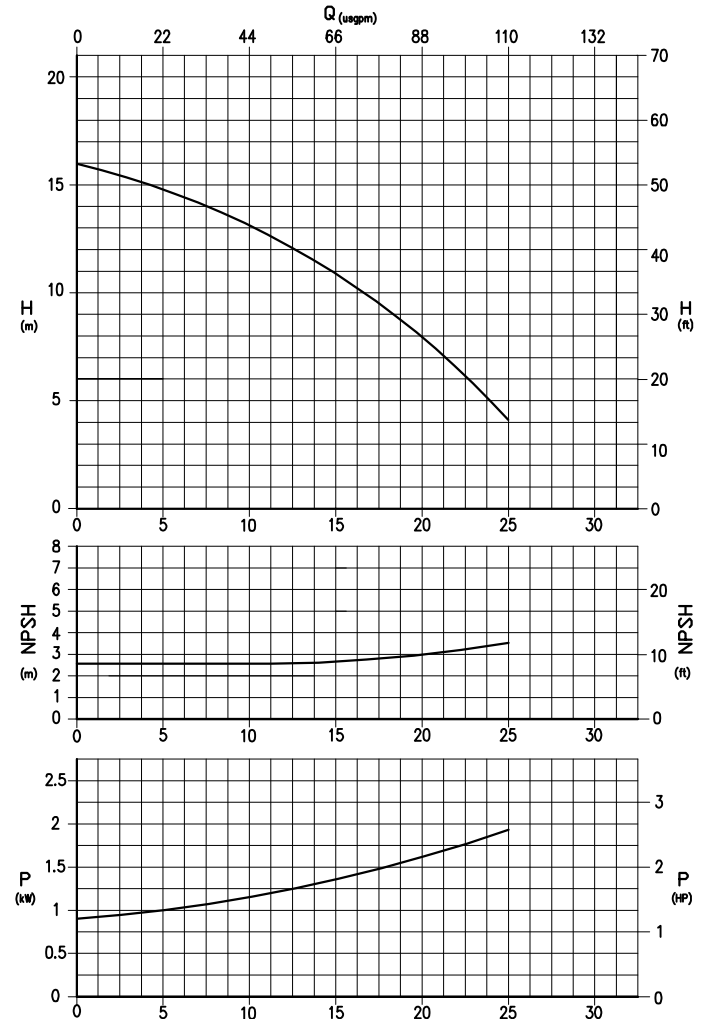
SECTION AND PARTS LIST/SEZIONE E LISTA PARTI



POS.	1	2	3	4	5	6	7	8	9	10	11	12	13
PART DESCR.	SET SCREWS	PUMP HEAD	O-RING	IMPELLER NUT	SHAFT	O-RING	IMPELLER	MECHANICAL SEAL	PIN	COVER	GRUB SCREW	SET SCREWS	BRACKET
MAT.	AISI304	PP+GF PVDF+CF	EPDM VITON	PP-PVDF	C40 AISI316	EPDM VITON	PP-PVDF	●	AISI304	PP+GF PVDF+CF	AISI304	AISI304	PP

8A	8B	8C	8D	8E	8F	8G
SPRING SHOULDER	SPRING	LOCKING RING	BELLOW	ROTATING RING	STATIC RING	O-RING
C40 AISI304	STEEL	STEEL	PTFE	AISI304	SIC	EPDM VITON

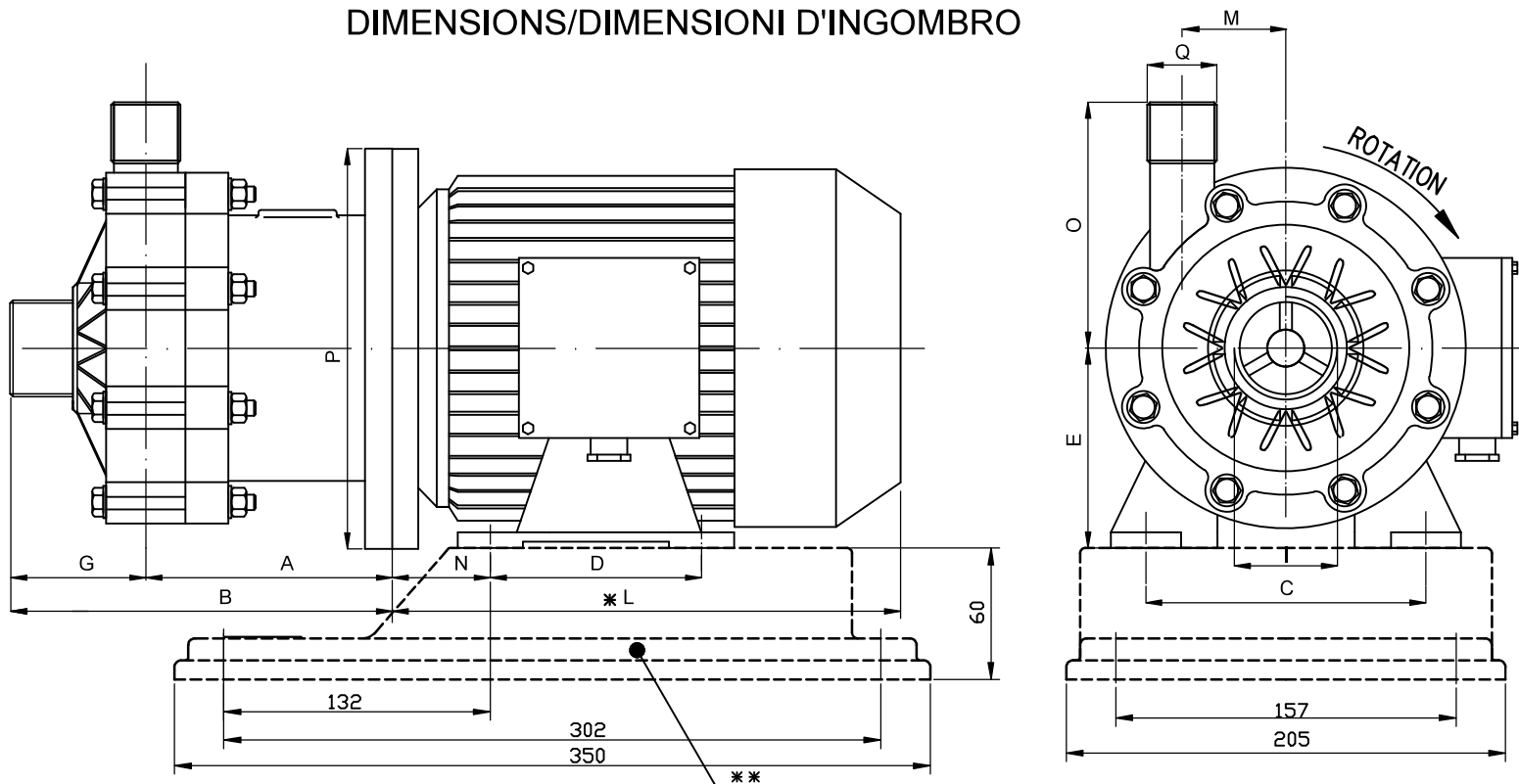
CURVES/CURVE 50HZ-2900 RPM



Q (m<sup>3</sup>/h)

All data stated are an indication and are liable to change without notice / Tutti i dati sono indicativi e possono variare senza preavviso

DIMENSIONS/DIMENSIONI D'INGOMBRO

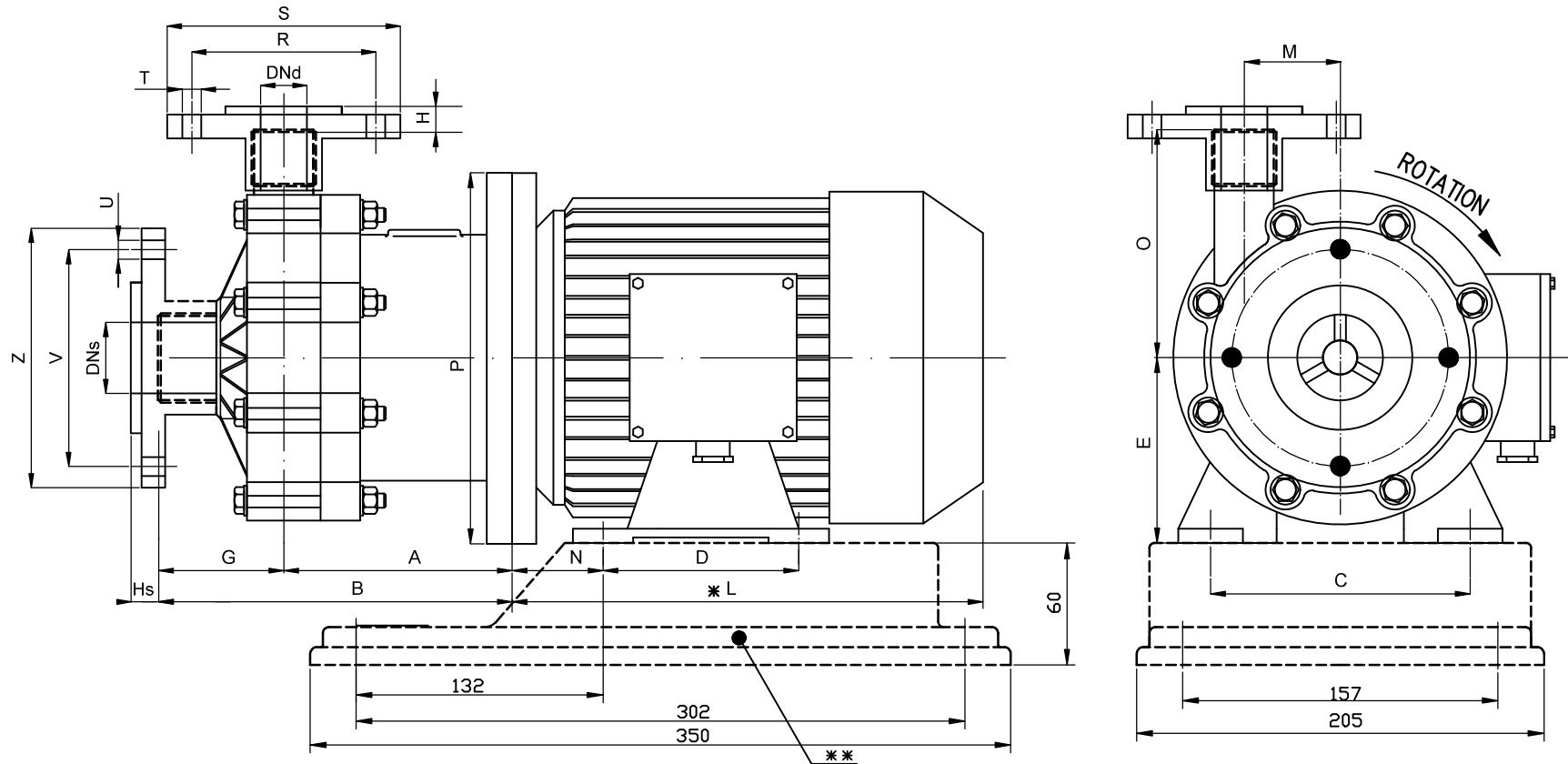


PUMP TYPE	MOTOR FLANGE B3-B5	POT. Kw	DIMENSIONS - mm -												
			A	B	C	D	E	G	I	*L	M	N	O	P	Q
HCO 120	90 S	1.5	209	290	140	100	90	91	2 1/2" MALE	262	66	56	140	200	2" MALE
HCO 120	90 L	2.2	209	290	140	125	90	91	2 1/2" MALE	287	66	56	140	200	2" MALE

\* Different according to the manufacturer / Diverso a seconda del fornitore  
 \*\* OPTIONAL-UPON REQUEST/SU RICHIESTA: Baseplate/Piede d'appoggio - Flanges/Flange



DIMENSIONS/DIMENSIONI D'INGOMBRO



PUMP TYPE	MOTOR FLANGE B3-B5	POT. Kw	DIMENSIONS - mm -													FLANGES DIN PN 10-DIMENSIONS - mm -							
			A	B	C	D	E	Hs	G	H	*L	M	N	O	P	R	S	T	U	V	Z	DNs	DNd
HCO 120	90 S	1.5	209	290	140	100	90	10	91	13	262	66	56	140	200	125	168	18	18	145	188	65	50
HCO 120	90 L	2.2	209	290	140	125	90	10	91	13	287	66	56	140	200	125	168	18	18	145	188	65	50

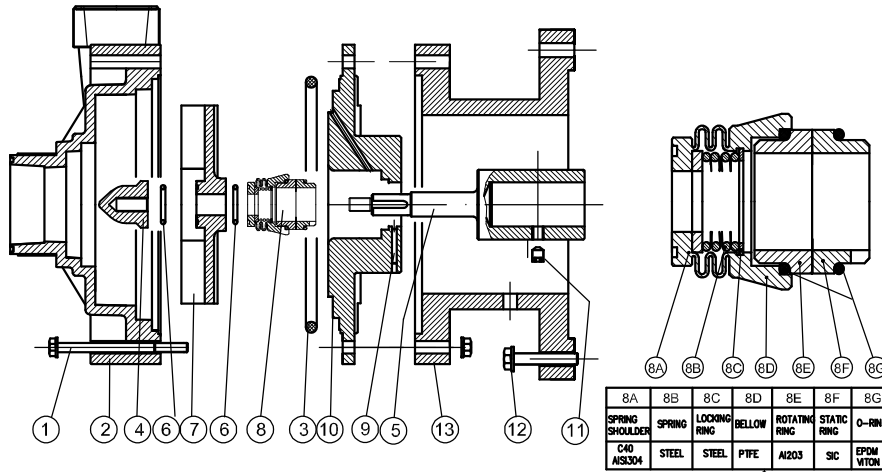
\* Different according to the manufacturer / Diverso a seconda del fornitore  
\*\* OPTIONAL-UPON REQUEST/SU RICHIESTA: Baseplate/Piede d'appoggio

All data stated are an indication and are liable to change without notice / Tutti i dati sono indicativi e possono variare senza preavviso

FEATURES/CARATTERISTICHE

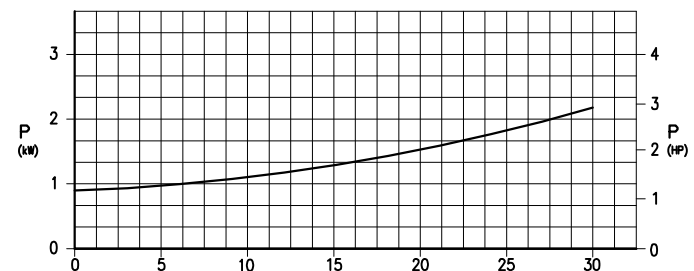
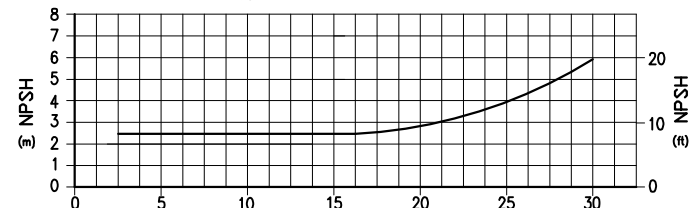
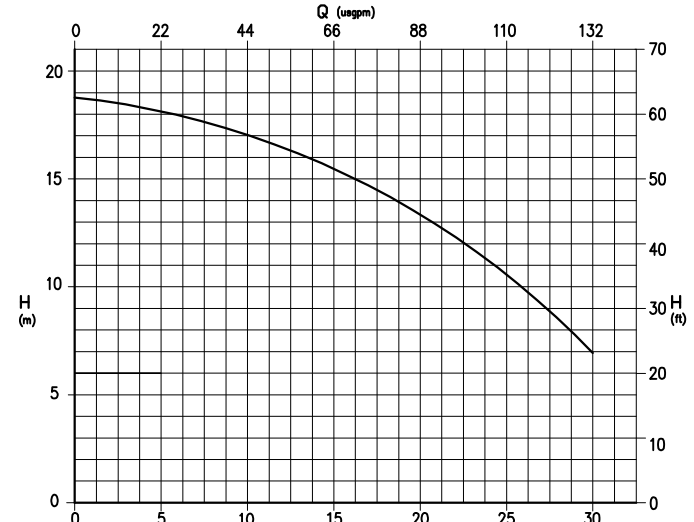
Materials available/Materiali disponibili:	PP-PVDF
Max flow/Portata massima:	30 m <sup>3</sup> /h
Max head/Prevalenza massima:	18 m
Max temperature/Temperatura massima:	PP 60°C/PVDF 90°C
Max viscosity/Viscosità massima:	200 cSt
Pressure rating/Pressione nominale massima:	NP/PN 6 @ 20°C
Seal/Tenuta:	Internal PTFE bellows mechanical seal/Tenuta meccanica interna con soffiello in PTFE

SECTION AND PARTS LIST/SEZIONE E LISTA PARTI



POS.	1	2	3	4	5	6	7	8	9	10	11	12	13
PART DESCR.	SET SCREWS	PUMP HEAD	O-RING	IMPELLER NUT	SHAFT	O-RING	IMPELLER	MECHANICAL SEAL	PIN	COVER	GRUB SCREW	SET SCREWS	BRACKET
MAT.	AISI304	PP+GF PVDF+CF	EPDM VITON	PP-PVDF	C40 AISI316	EPDM VITON	PP-PVDF	●	AISI304	PP+GF PVDF+CF	AISI304	AISI304	PP

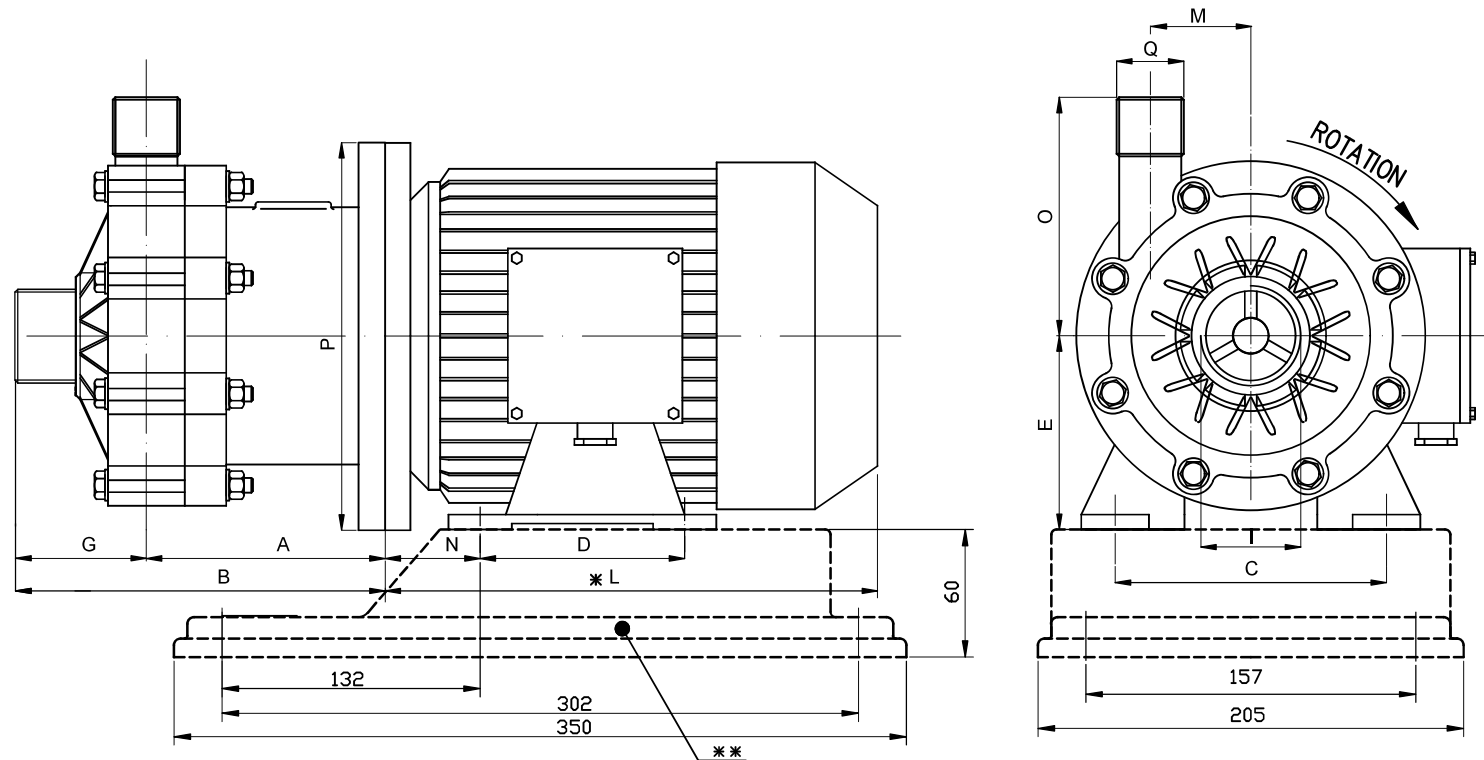
CURVES/CURVE 50HZ-2900 RPM



Q(m<sup>3</sup>/h)

All data stated are an indication and are liable to change without notice / Tutti i dati sono indicativi e possono variare senza preavviso

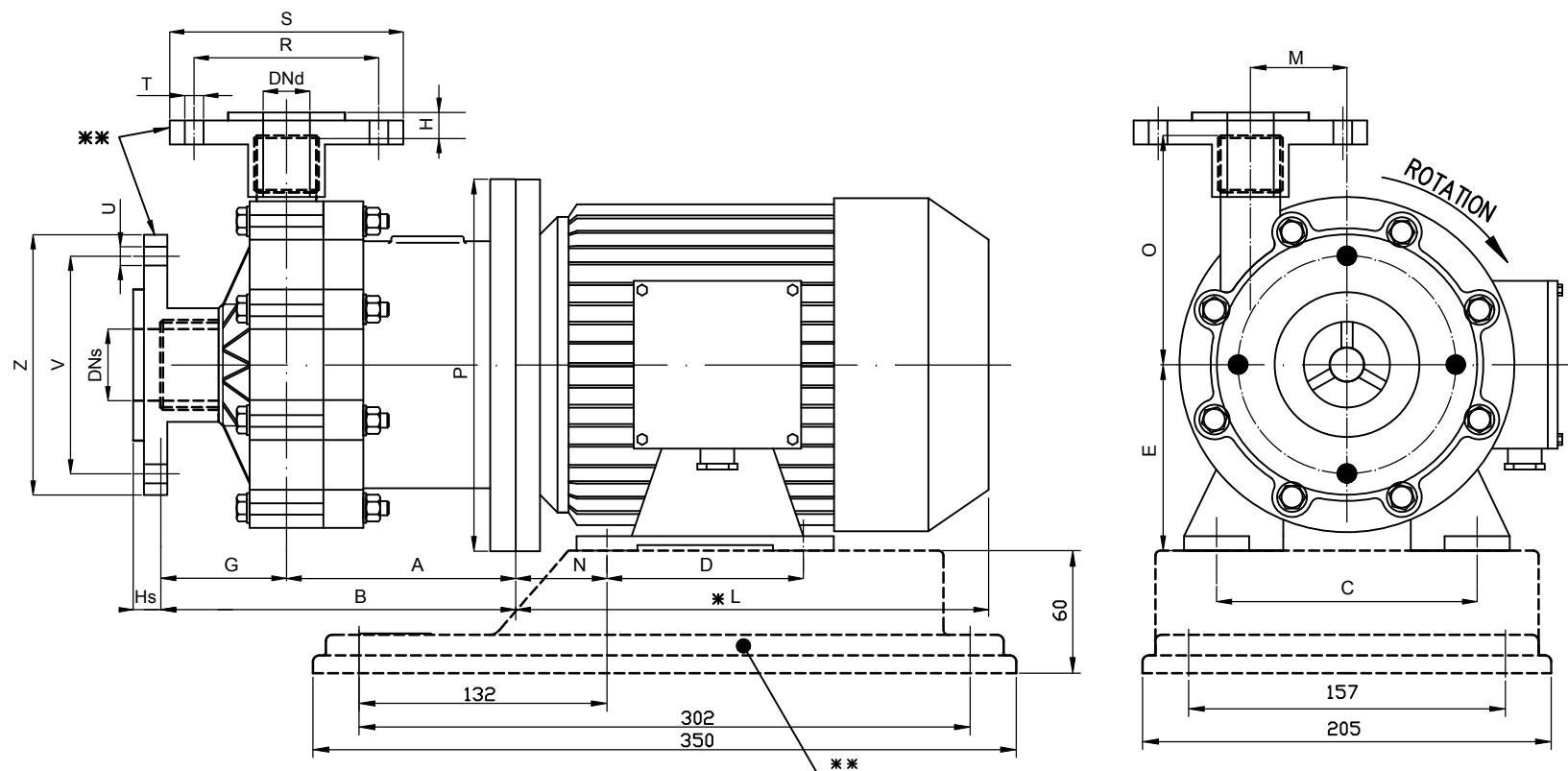
**DIMENSIONS/DIMENSIONI D'INGOMBRO**



PUMP TYPE	MOTOR FLANGE B3-B5	POT. Kw	DIMENSIONS - mm -												
			A	B	C	D	E	G	I	*L	M	N	O	P	Q
HCO 130	G 90 L	2.2	209	290	140	125	90	91	2 1/2" MALE	280	66	56	140	200	2" MALE

\* Different according to the manufacturer / Diverso a seconda del fornitore  
 \*\* OPTIONAL-UPON REQUEST/SU RICHIESTA: Baseplate/Piede d'appoggio - Flanges/Flange

DIMENSIONS/DIMENSIONI D'INGOMBRO



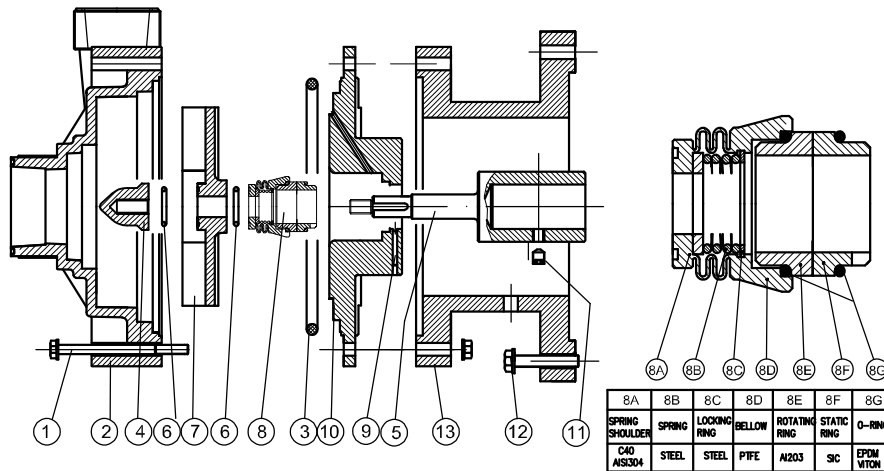
PUMP TYPE	MOTOR FLANGE B3-B5	POT. Kw	DIMENSIONS - mm -													FLANGES DIN PN 10-DIMENSIONS - mm -							
			A	B	C	D	E	Hs	G	H	*L	M	N	O	P	R	S	T	U	V	Z	DNs	DNd
HCO 130	G 90 L	2.2	209	290	140	125	90	10	91	13	280	66	56	140	200	125	168	18	18	145	188	65	50

\* Different according to the manufacturer / Diverso a seconda del fornitore  
 \*\* OPTIONAL-UPON REQUEST/SU RICHIESTA: Baseplate/Piede d'appoggio

FEATURES/CARATTERISTICHE

Materials available/Materiali disponibili:	PP-PVDF
Max flow/Portata massima:	40 m <sup>3</sup> /h
Max head/Prevalenza massima:	22 m
Max temperature/Temperatura massima:	PP 60°C/PVDF 90°C
Max viscosity/Viscosità massima:	200 cSt
Pressure rating/Pressione nominale massima:	NP/PN 6 @ 20°C
Seal/Tenuta:	Internal PTFE bellows mechanical seal/Tenuta meccanica interna con soffiETTO in PTFE

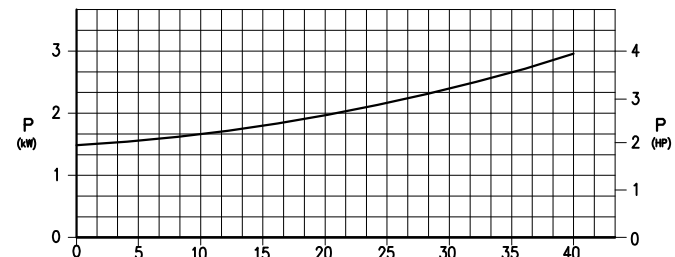
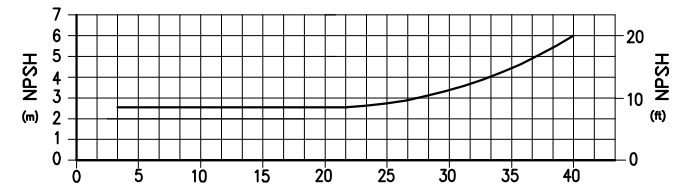
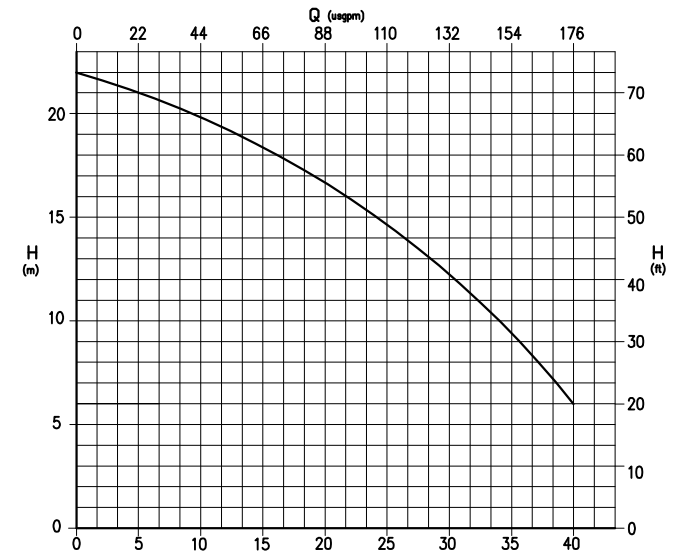
SECTION AND PARTS LIST/SEZIONE E LISTA PARTI



8A	8B	8C	8D	8E	8F	8G
SPRING SHOULDER	SPRING	LOCKING RING	BELLOW	ROTATING RING	STATIC RING	O-RING
C40 AISI304	STEEL	STEEL	PTFE	A203	SIC	EPDM VITON

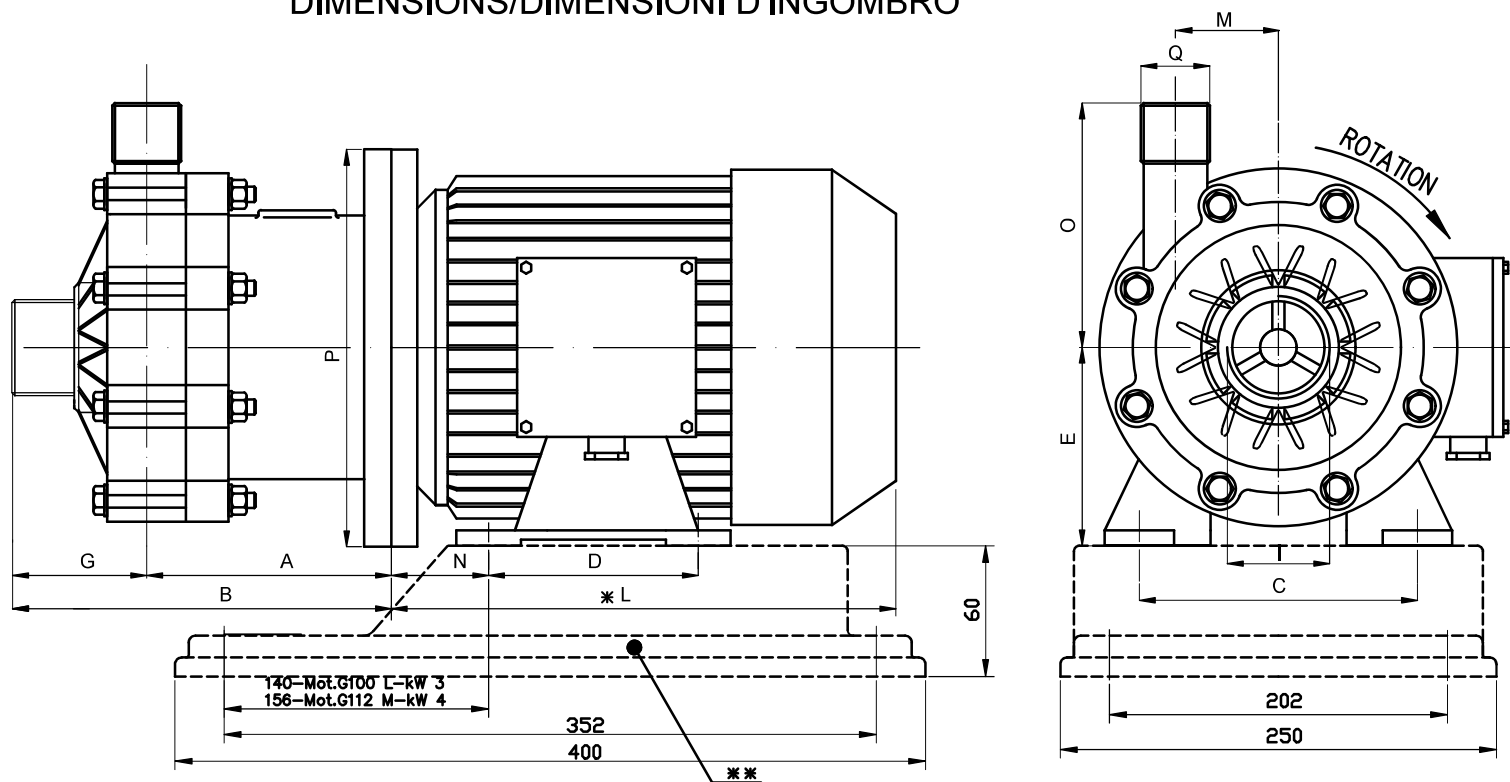
POS.	1	2	3	4	5	6	7	8	9	10	11	12	13
PART DESCR.	SET SCREWS	PUMP HEAD	O-RING	IMPELLER NUT	SHAFT	O-RING	IMPELLER	MECHANICAL SEAL	PIN	COVER	GRUB SCREW	SET SCREWS	BRACKET
MAT.	AISI304	PP+GF PVDF+CF	EPDM VITON	PP-PVDF	C40 AISI316	EPDM VITON	PP-PVDF	●	AISI304	PP+GF PVDF+CF	AISI304	AISI304	PP

CURVES/CURVE 50HZ-2900 RPM



Q (m<sup>3</sup>/h)

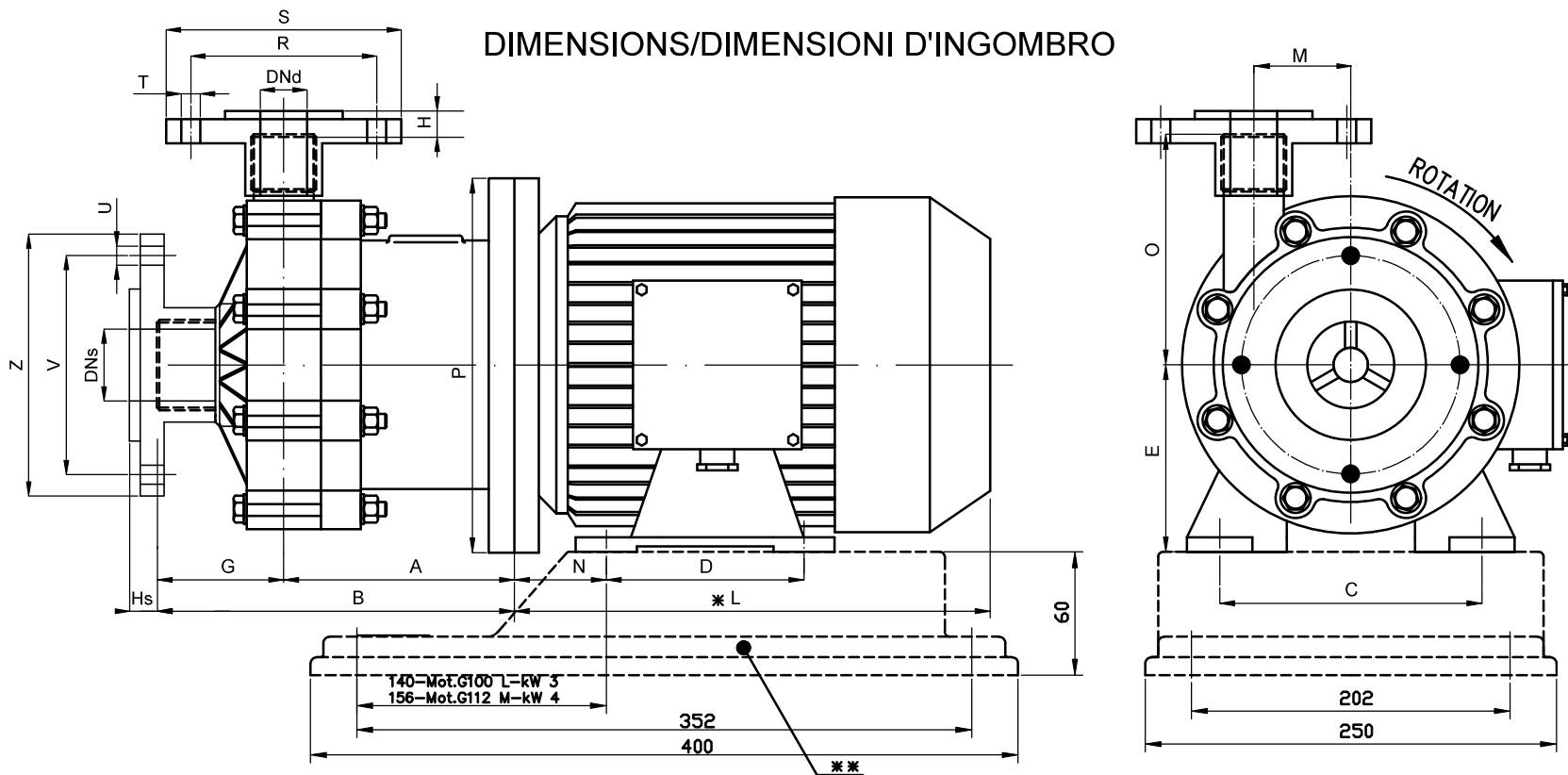
**DIMENSIONS/DIMENSIONI D'INGOMBRO**



PUMP TYPE	MOTOR FLANGE B3-B5	POT. Kw	DIMENSIONS - mm -												
			A	B	C	D	E	G	I	*L	M	N	O	P	Q
HCO 140	G 100 L	3	219	310	160	140	100	91	2 1/2" MALE	315	66	63	140	250	2" MALE
HCO 140	G 112 M	4	219	310	190	140	112	91	2 1/2" MALE	325	66	70	140	250	2" MALE

\* Different according to the manufacturer / Diverso a seconda del fornitore

\*\* OPTIONAL-UPON REQUEST/SU RICHIESTA: Baseplate/Piede d'appoggio - Flanges/Flange



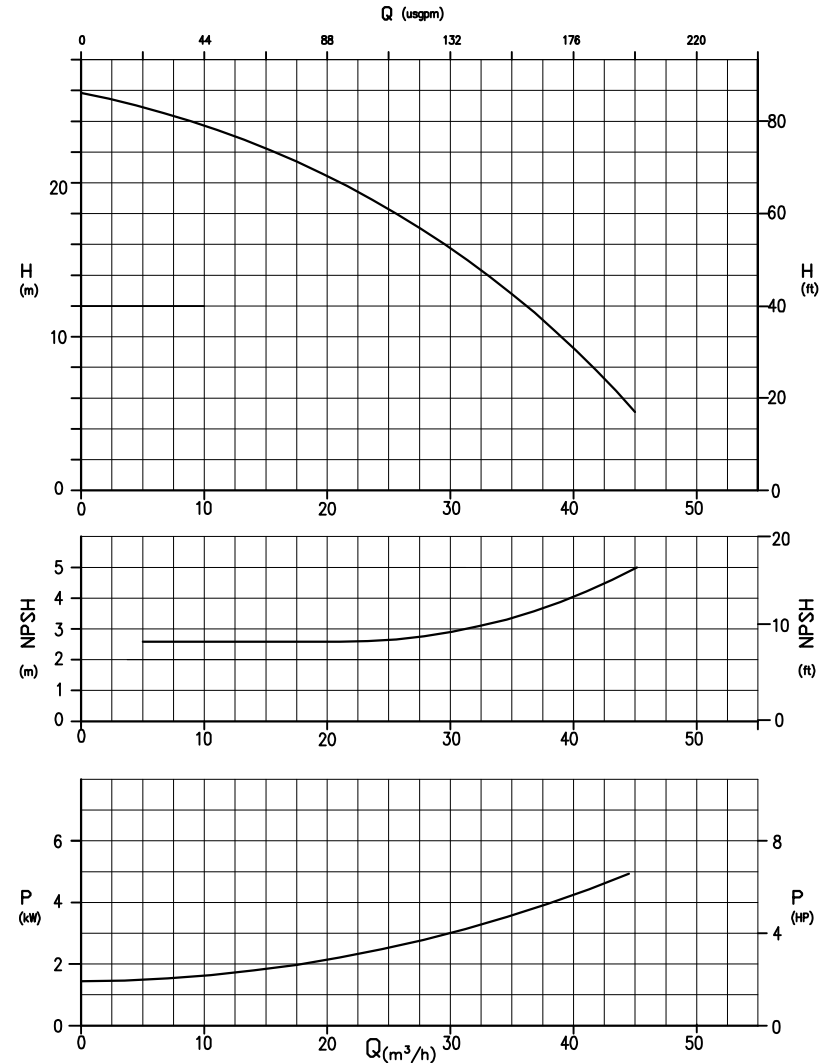
PUMP TYPE	MOTOR FLANGE B3-B5	POT. Kw	DIMENSIONS - mm -													FLANGES DIN PN 10-DIMENSIONS - mm -							
			A	B	C	D	E	Hs	G	H	*L	M	N	O	P	R	S	T	U	V	Z	DNs	DNd
HCO 140	G 100 L	3	219	310	160	140	100	10	91	13	315	66	63	140	250	125	168	18	18	145	188	65	50
HCO 140	G 112 M	4	219	310	190	140	112	10	91	13	325	66	70	140	250	125	168	18	18	145	188	65	50

\* Different according to the manufacturer / Diverso a seconda del fornitore  
 \*\* OPTIONAL-UPON REQUEST/SU RICHIESTA: Baseplate/Piede d'appoggio

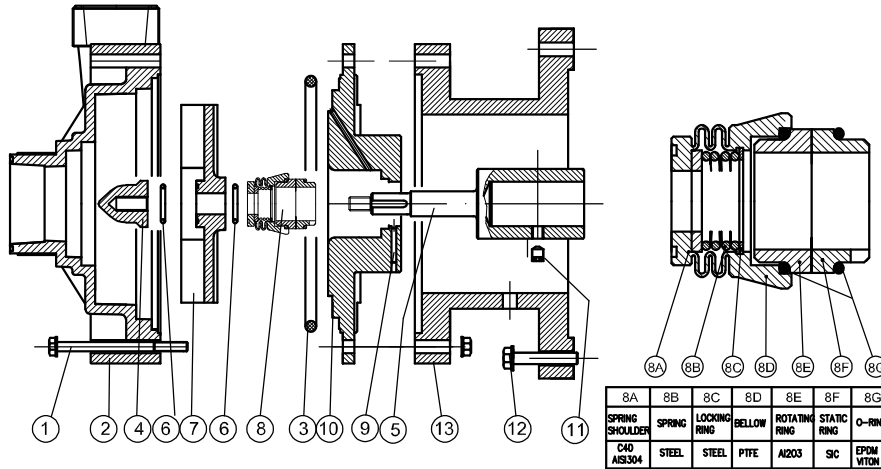
**FEATURES/CARATTERISTICHE**

Materials available/Materiali disponibili: PP-PVDF  
 Max flow/Portata massima: 45 m<sup>3</sup>/h  
 Max head/Prevalenza massima: 26m  
 Max temperature/Temperatura massima: PP 60°C/PVDF 90°C  
 Max viscosity/Viscosità massima: 200 cSt  
 Pressure rating/Pressione nominale massima: NP/PN 6 @ 20°C  
 Seal/Tenuta: Internal PTFE bellows mechanical seal/Tenuta meccanica interna con soffiello in PTFE

**CURVES/CURVE 50HZ-2900 RPM**



**SECTION AND PARTS LIST/SEZIONE E LISTA PARTI**



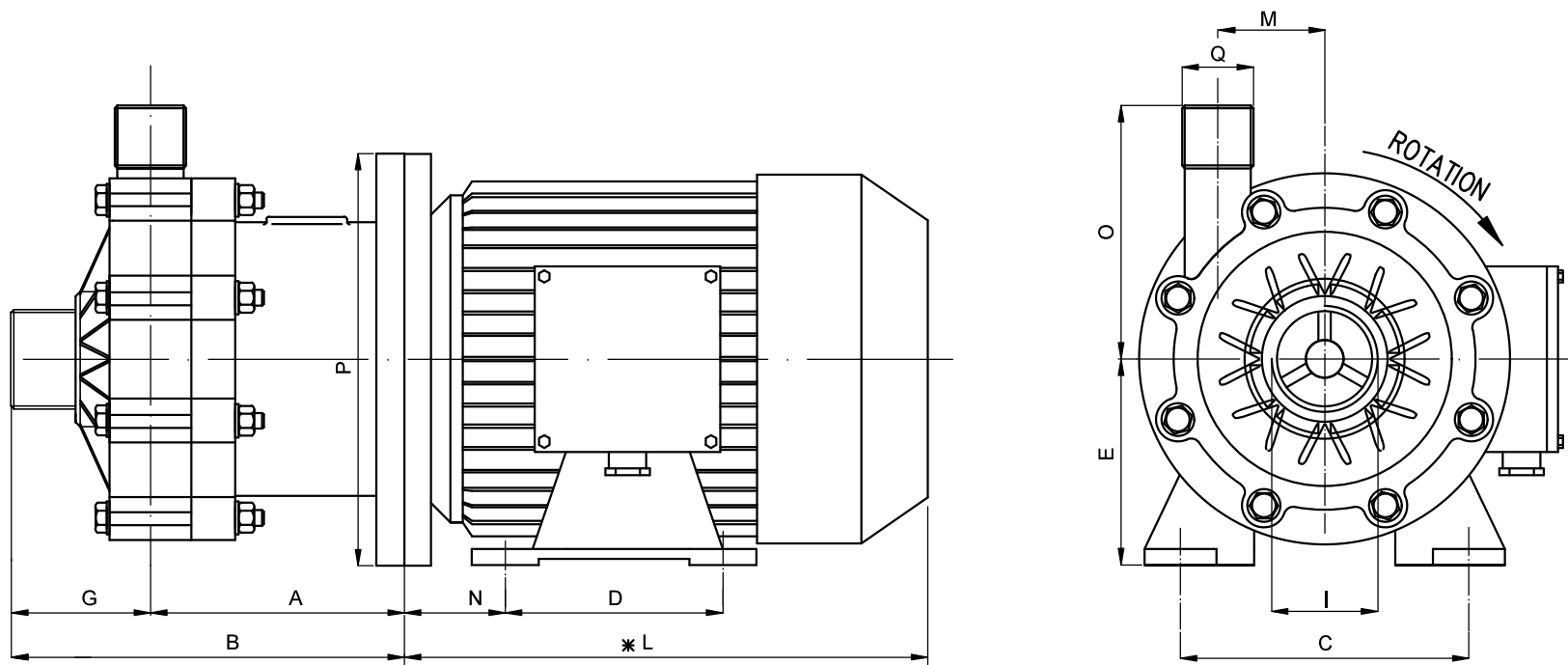
8A	8B	8C	8D	8E	8F	8G
SPRING SHOULDER C40 AISI304	SPRING STEEL	LOCKING RING STEEL	BELLOW PTFE	ROTATING RING AI203	STATIC RING SIC	O-RING EPDM VITON

POS.	1	2	3	4	5	6	7	8	9	10	11	12	13
PART DESCR.	SET SCREWS	PUMP HEAD	O-RING	IMPELLER NUT	SHAFT	O-RING	IMPELLER	MECHANICAL SEAL	PIN	COVER	GRUB SCREW	SET SCREWS	BRACKET
MAT.	AISI304	PP+CF PVDF+CF	EPDM VITON	PP-PVDF	C40 AISI316	EPDM VITON	PP-PVDF	●	AISI304	PP+CF PVDF+CF	AISI304	AISI304	PP

All data stated are an indication and are liable to change without notice / Tutti i dati sono indicativi e possono variare senza preavviso



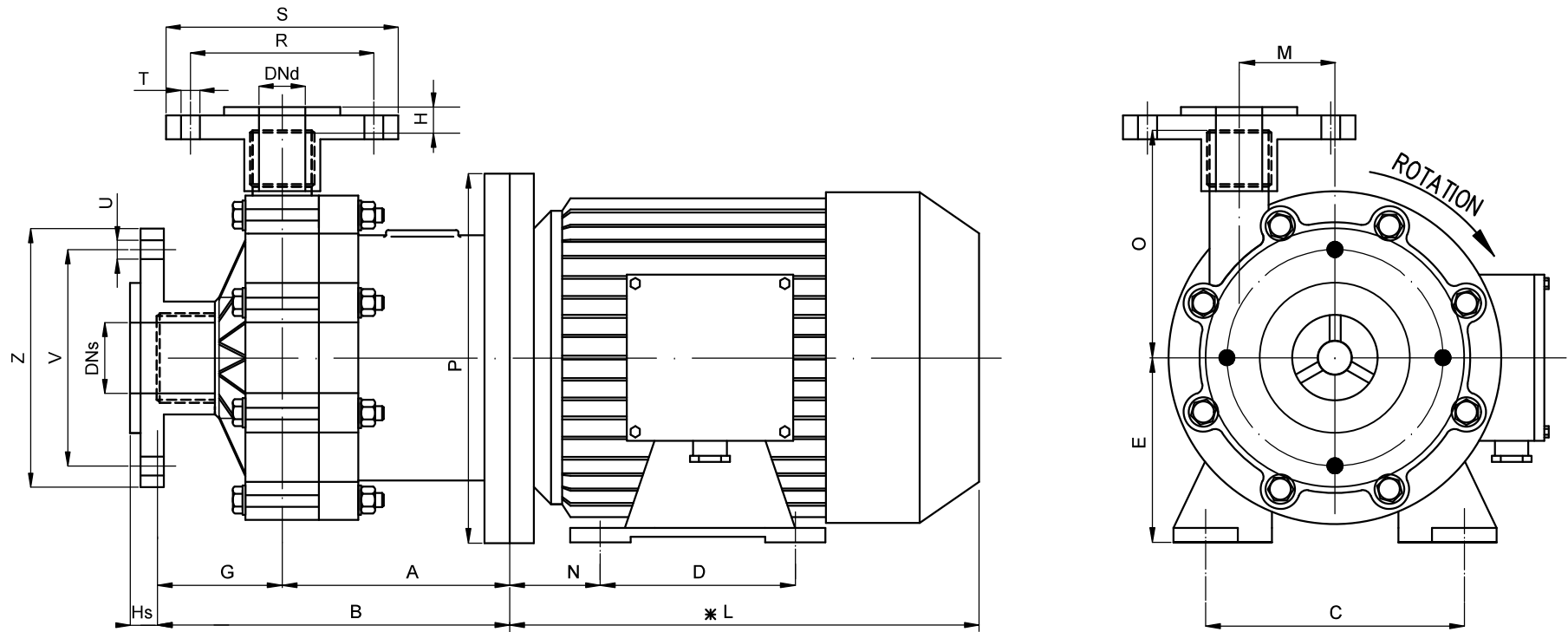
**DIMENSIONS/DIMENSIONI D'INGOMBRO**



PUMP TYPE	MOTOR FLANGE B3-B5	POT. Kw	DIMENSIONS - mm -												
			A	B	C	D	E	G	I	*L	M	N	O	P	Q
HCO 150	132 SA	5.5	184	275	216	140	132	91	3" MALE	380	82.5	89	170	300	2 1/2" MALE
HCO 150	132 SB	7.5	184	275	216	140	132	91	3" MALE	380	82.5	89	170	300	2 1/2" MALE
HCO 150	132 MA	9.2	184	275	216	178	132	91	3" MALE	418	82.5	89	170	300	2 1/2" MALE

\* Different according to the manufacturer / Diverso a seconda del fornitore  
 \*\* OPTIONAL-UPON REQUEST/SU RICHIESTA: Flanges/Flange

DIMENSIONS/DIMENSIONI D'INGOMBRO



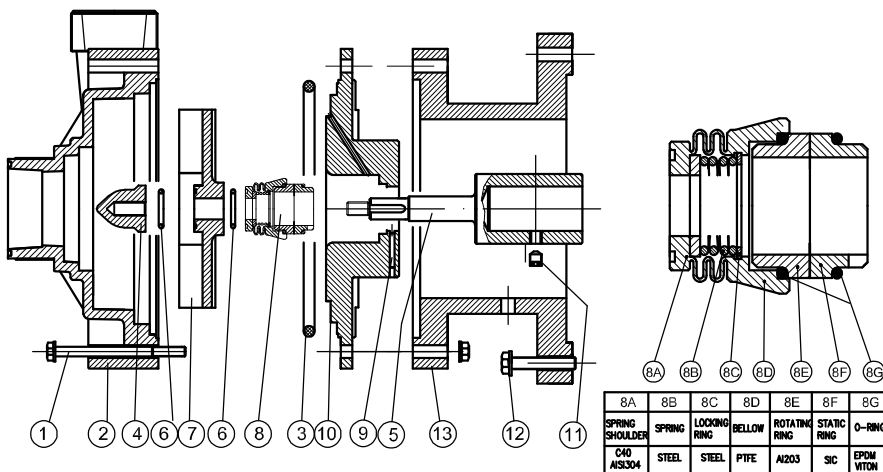
PUMP TYPE	MOTOR FLANGE B3-B5	POT. Kw	DIMENSIONS - mm -													FLANGES DIN PN 10-DIMENSIONS - mm -							
			A	B	C	D	E	Hs	G	H	*L	M	N	O	P	R	S	T	U	V	Z	DNs	DNd
HCO 150	132 SA	5.5	184	275	216	140	132	10	91	10	380	82.5	89	170	300	145	188	18	18	160	203	80	65
HCO 150	132 SB	7.5	184	275	216	140	132	10	91	10	380	82.5	89	170	300	145	188	18	18	160	203	80	65
HCO 150	132 MA	9.2	184	275	216	178	132	10	91	10	418	82.5	89	170	300	145	188	18	18	160	203	80	65

\* Different according to the manufacturer / Diverso a seconda del fornitore

**FEATURES/CARATTERISTICHE**

Materials available/Materiali disponibili: PP-PVDF  
 Max flow/Portata massima: 50 m<sup>3</sup>/h  
 Max head/Prevalenza massima: 29 m  
 Max temperature/Temperatura massima: PP 60°C/PVDF 90°C  
 Max viscosity/Viscosità massima: 200 cSt  
 Pressure rating/Pressione nominale massima: NP/PN 6 @ 20°C  
 Seal/Tenuta: Internal PTFE bellows mechanical seal/Tenuta meccanica interna con soffietto in PTFE

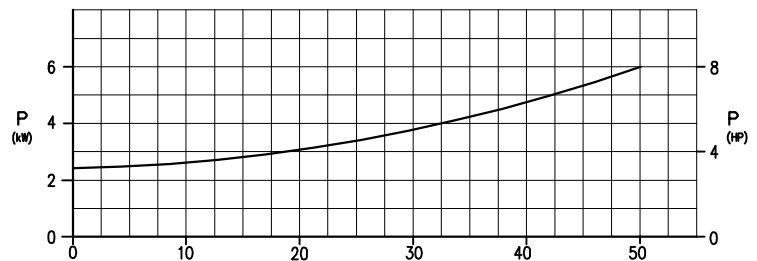
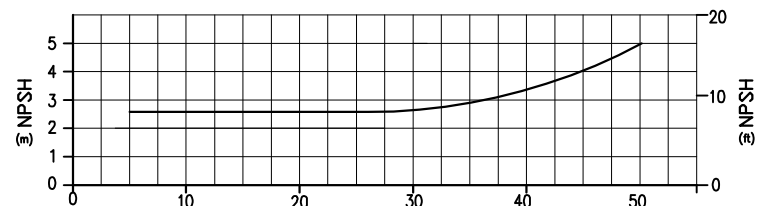
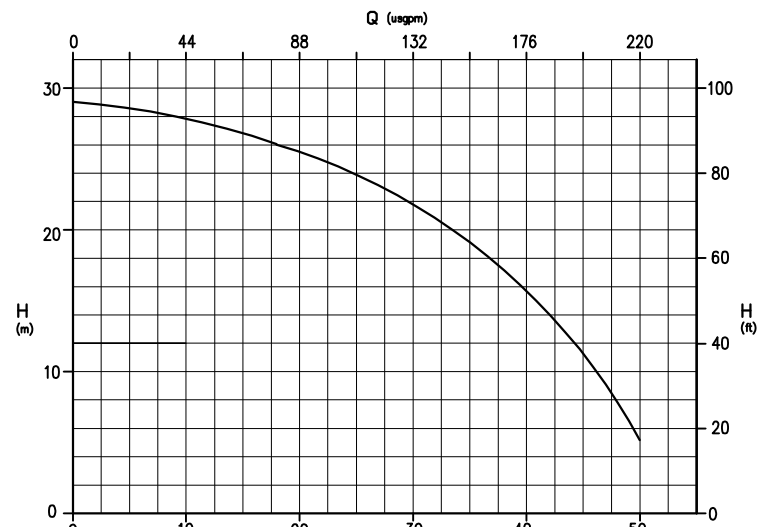
**SECTION AND PARTS LIST/SEZIONE E LISTA PARTI**



8A	8B	8C	8D	8E	8F	8G
SPRING SHOULDER C40 AISI304	SPRING	LOCKING RING	BELLOW	ROTATING RING	STATIC RING	O-RING EPDM VITON
	STEEL	STEEL	PTFE	A1203	SIC	

POS.	1	2	3	4	5	6	7	8	9	10	11	12	13
PART DESCR.	SET SCREWS	PUMP HEAD	O-RING	IMPELLER NUT	SHAFT	O-RING	IMPELLER	MECHANICAL SEAL	PIN	COVER	GRUB SCREW	SET SCREWS	BRACKET
MAT.	AISI304	PP+GF PVDF+CF	EPDM VITON	PP-PVDF	C40 AISI316	EPDM VITON	PP-PVDF	●	AISI304	PP+GF PVDF+CF	AISI304	AISI304	PP

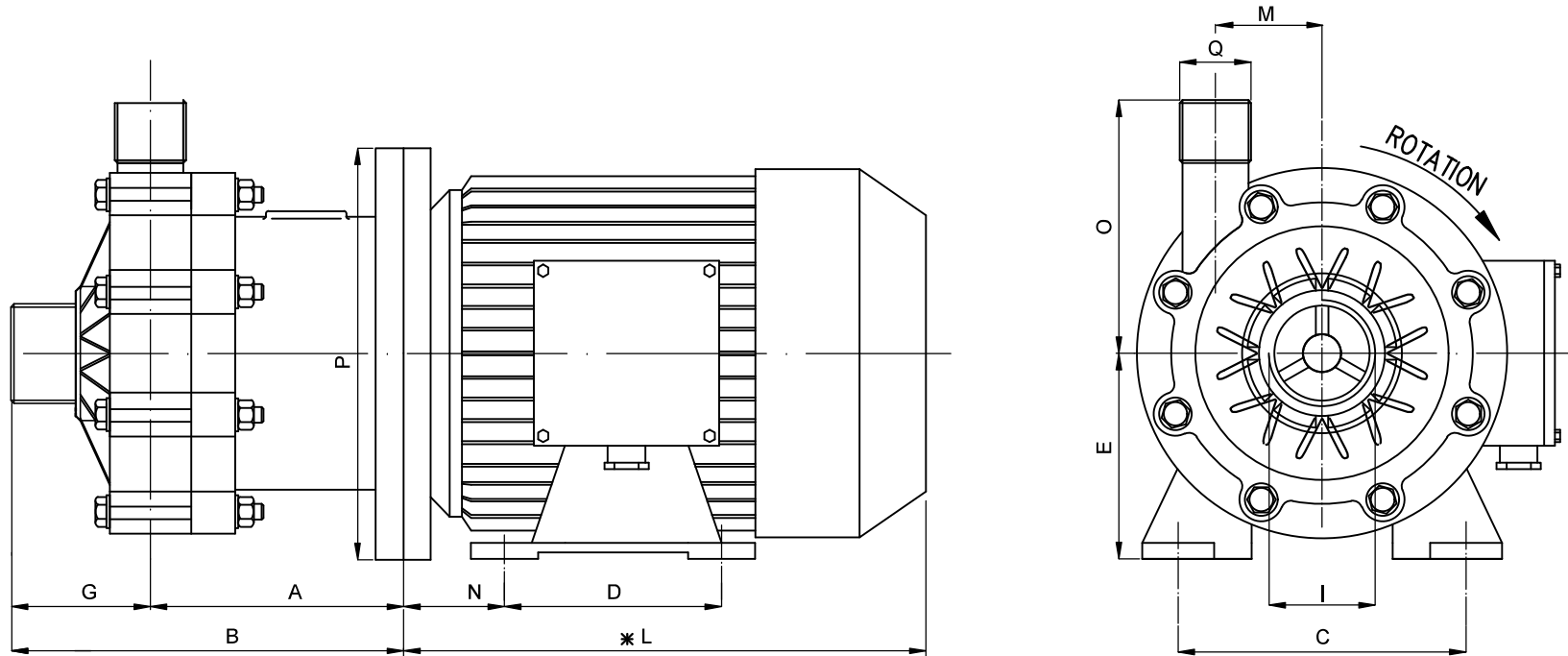
**CURVES/CURVE 50HZ-2900 RPM**



Q(m<sup>3</sup>/h)

All data stated are an indication and are liable to change without notice / Tutti i dati sono indicativi e possono variare senza preavviso

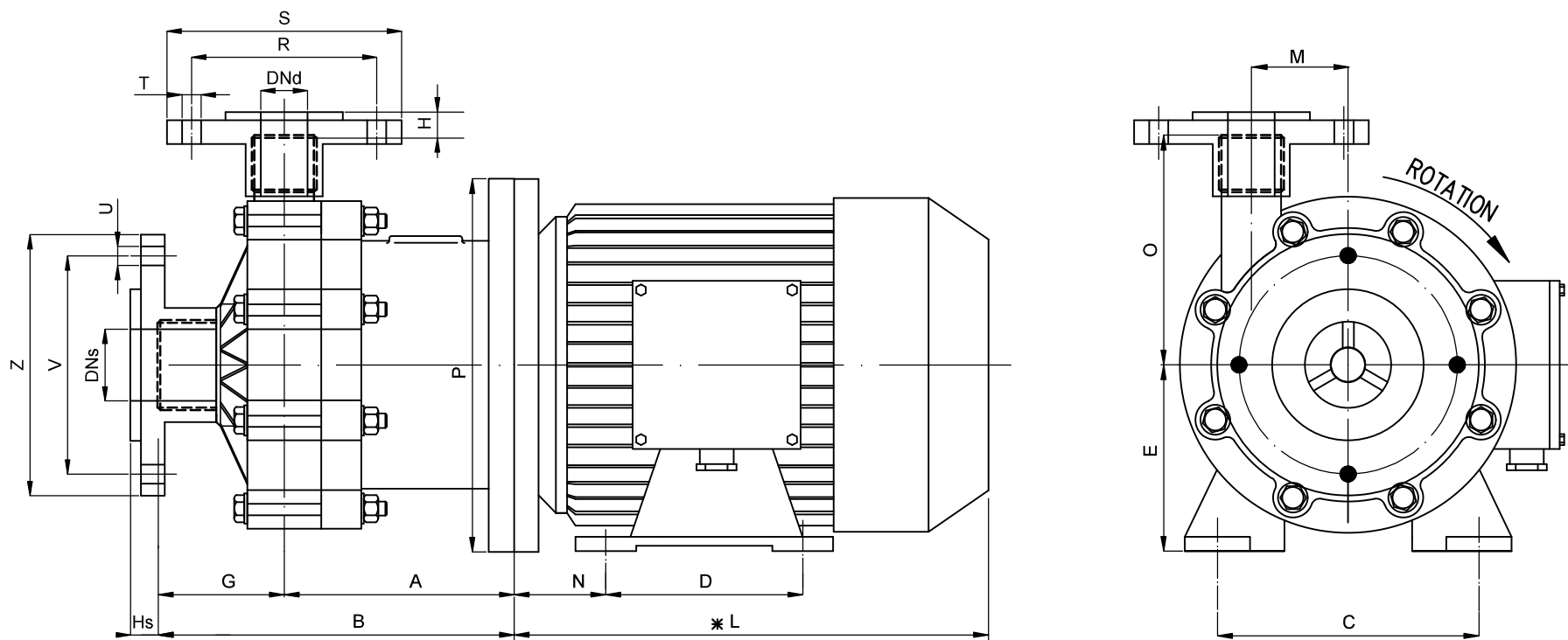
DIMENSIONS/DIMENSIONI D'INGOMBRO



PUMP TYPE	MOTOR FLANGE B3-B5	POT. Kw	DIMENSIONS - mm -												
			A	B	C	D	E	G	I	*L	M	N	O	P	Q
HCO 155	132 SA	5.5	184	275	216	140	132	91	3" MALE	380	82.5	89	170	300	2 1/2" MALE
HCO 155	132 SB	7.5	184	275	216	140	132	91	3" MALE	380	82.5	89	170	300	2 1/2" MALE
HCO 155	132 MA	9.2	184	275	216	178	132	91	3" MALE	418	82.5	89	170	300	2 1/2" MALE

\* Different according to the manufacturer / Diverso a seconda del fornitore  
 \*\* OPTIONAL-UPON REQUEST/SU RICHIESTA: Flanges/Flange

**DIMENSIONS/DIMENSIONI D'INGOMBRO**



PUMP TYPE	MOTOR FLANGE B3-B5	POT. Kw	DIMENSIONS - mm -													FLANGES DIN PN 10-DIMENSIONS - mm -							
			A	B	C	D	E	Hs	G	H	*L	M	N	O	P	R	S	T	U	V	Z	DNs	DNd
HCO 155	132 SA	5.5	184	275	216	140	132	10	91	10	380	82.5	89	170	300	145	188	18	18	160	203	80	65
HCO 155	132 SB	7.5	184	275	216	140	132	10	91	10	380	82.5	89	170	300	145	188	18	18	160	203	80	65
HCO 155	132 MA	9.2	184	275	216	178	132	10	91	10	418	82.5	89	170	300	145	188	18	18	160	203	80	65

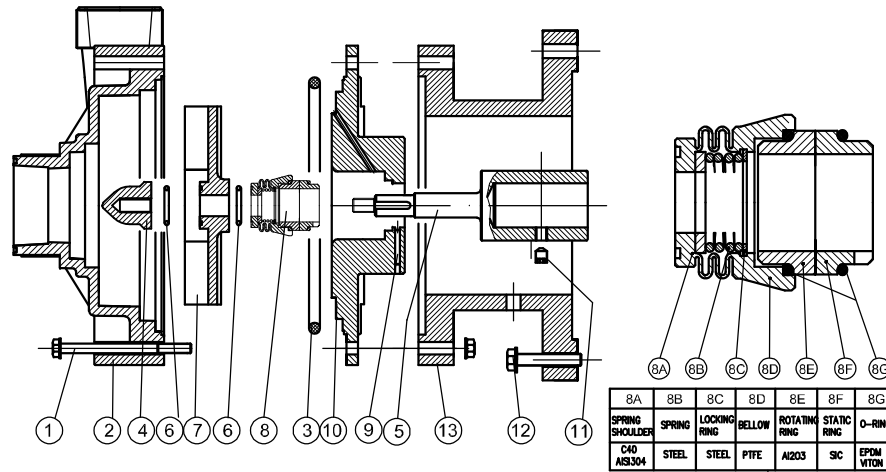
\* Different according to the manufacturer / Diverso a seconda del fornitore

All data stated are an indication and are liable to change without notice / Tutti i dati sono indicativi e possono variare senza preavviso

**FEATURES/CARATTERISTICHE**

Materials available/Materiali disponibili: PP-PVDF  
 Max flow/Portata massima: 55 m<sup>3</sup>/h  
 Max head/Prevalenza massima: 36 m  
 Max temperature/Temperatura massima: PP 60°C/PVDF 90°C  
 Max viscosity/Viscosità massima: 200 cSt  
 Pressure rating/Pressione nominale massima: NP/PN 6 @ 20°C  
 Seal/Tenuta: Internal PTFE bellows mechanical seal/Tenuta meccanica interna con soffiETTO in PTFE

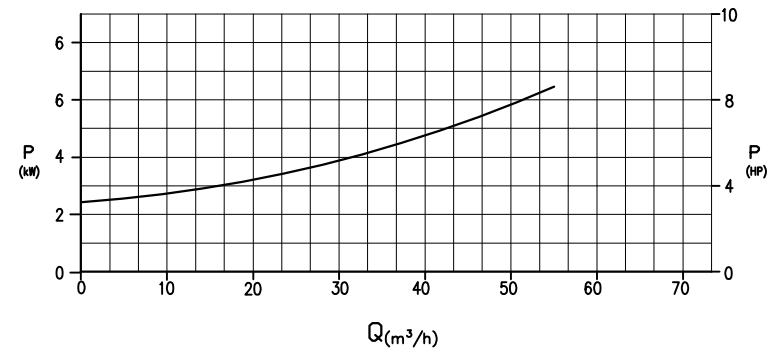
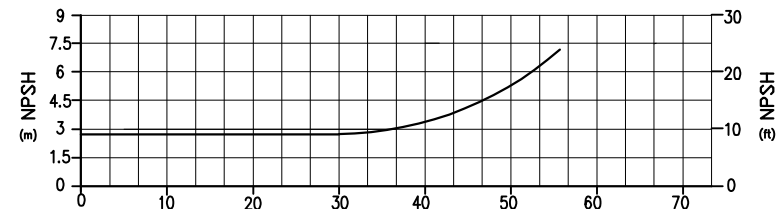
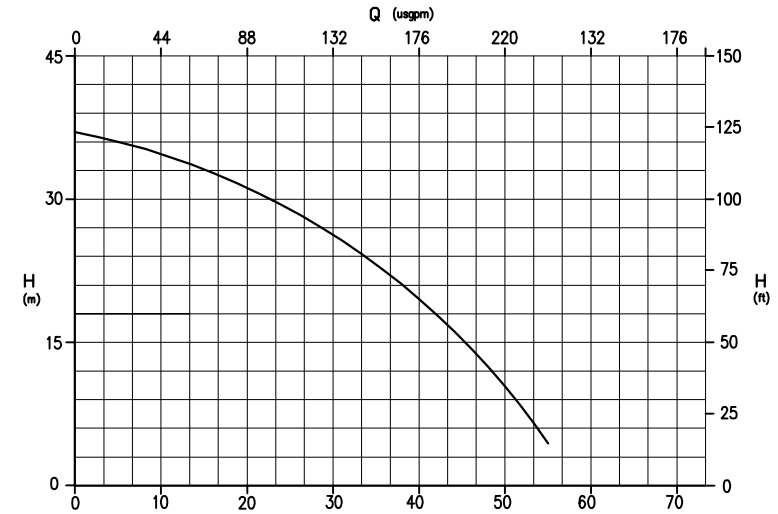
**SECTION AND PARTS LIST/SEZIONE E LISTA PARTI**



8A	8B	8C	8D	8E	8F	8G
SPRING SHOULDER	SPRING	LOCKING RING	BELLOW	ROTATING RING	STATIC RING	O-RING
C40 AISI304	STEEL	STEEL	PTFE	AI203	SIC	EPDM VITON

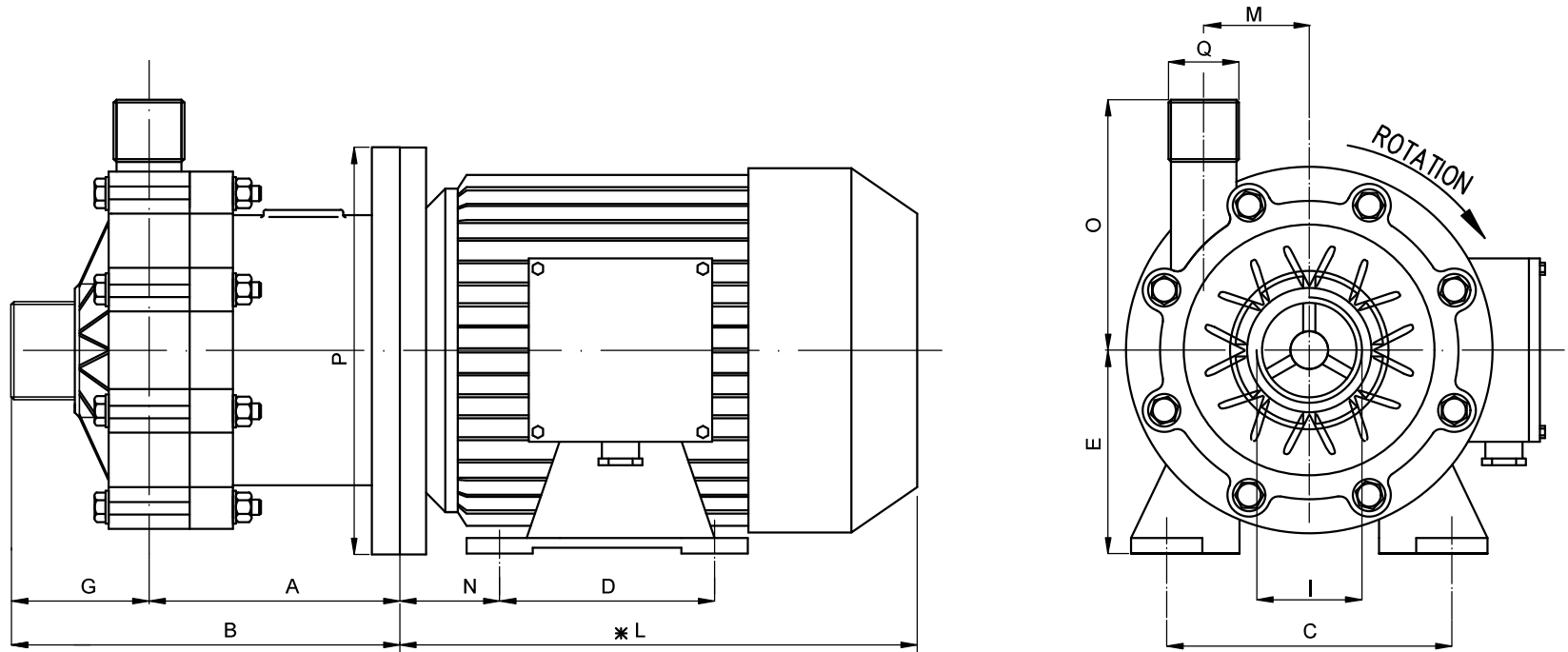
POS.	1	2	3	4	5	6	7	8	9	10	11	12	13
PART DESCR.	SET SCREWS	PUMP HEAD	O-RING	IMPELLER NUT	SHAFT	O-RING	IMPELLER	MECHANICAL SEAL	PIN	COVER	GRUB SCREW	SET SCREWS	BRACKET
MAT.	AISI304	PP+GF PVDF+CF	EPDM VITON	PP-PVDF	C40 AISI316	EPDM VITON	PP-PVDF	●	AISI304	PP+GF PVDF+CF	AISI304	AISI304	PP

**CURVES/CURVE 50HZ-2900 RPM**



All data stated are an indication and are liable to change without notice / Tutti i dati sono indicativi e possono variare senza preavviso

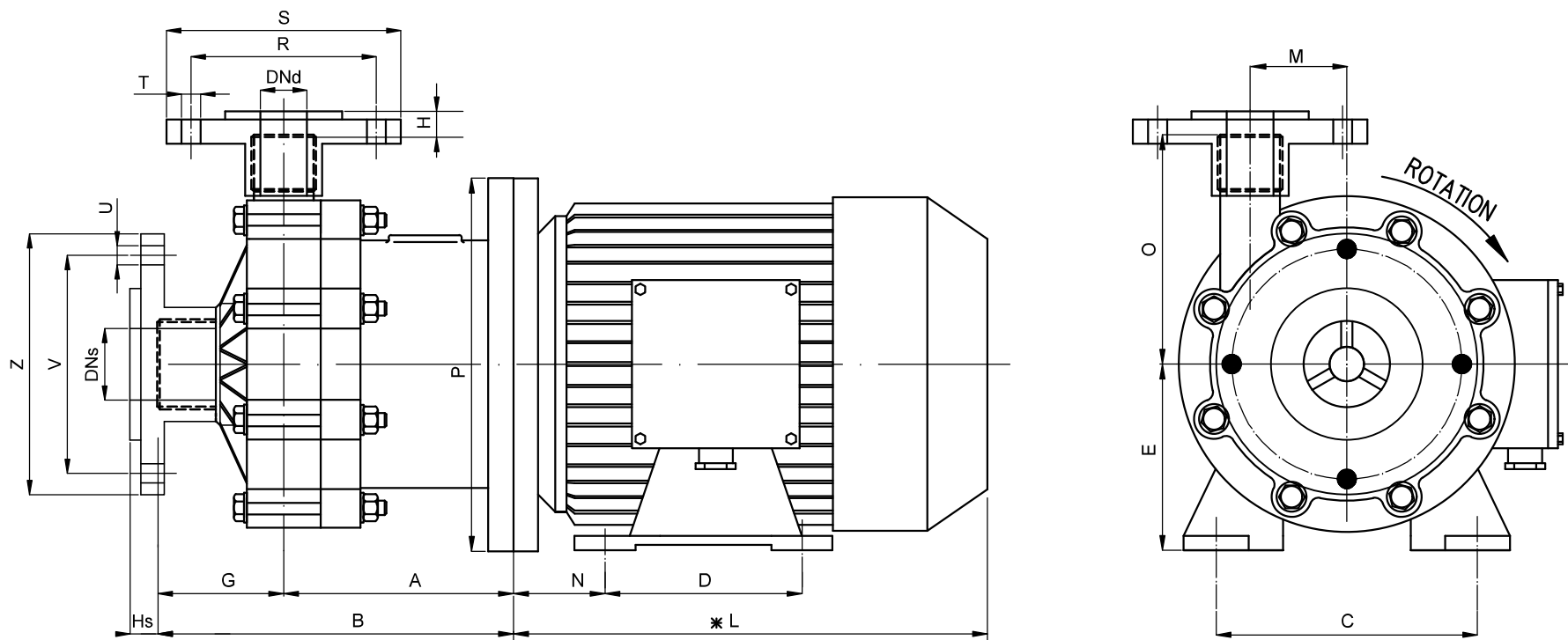
DIMENSIONS/DIMENSIONI D'INGOMBRO



PUMP TYPE	MOTOR FLANGE B3-B5	POT. Kw	DIMENSIONS - mm -												
			A	B	C	D	E	G	I	*L	M	N	O	P	Q
HCO 160	132 SB	7.5	184	275	216	140	132	91	3" MALE	380	82.5	89	170	300	2 1/2" MALE
HCO 160	132 MA	9.2	184	275	216	178	132	91	3" MALE	418	82.5	89	170	300	2 1/2" MALE

\* Different according to the manufacturer / Diverso a seconda del fornitore  
 \*\* OPTIONAL-UPON REQUEST/SU RICHIESTA: Flanges/Flange

DIMENSIONS/DIMENSIONI D'INGOMBRO



PUMP TYPE	MOTOR FLANGE B3-B5	POT. Kw	DIMENSIONS - mm -													FLANGES DIN PN 10-DIMENSIONS - mm -							
			A	B	C	D	E	Hs	G	H	*L	M	N	O	P	R	S	T	U	V	Z	DNs	DNd
HCO 160	132 SB	7.5	184	275	216	140	132	10	91	10	380	82.5	89	170	300	145	188	18	18	160	203	80	65
HCO 160	132 MA	9.2	184	275	216	178	132	10	91	10	418	82.5	89	170	300	145	188	18	18	160	203	80	65

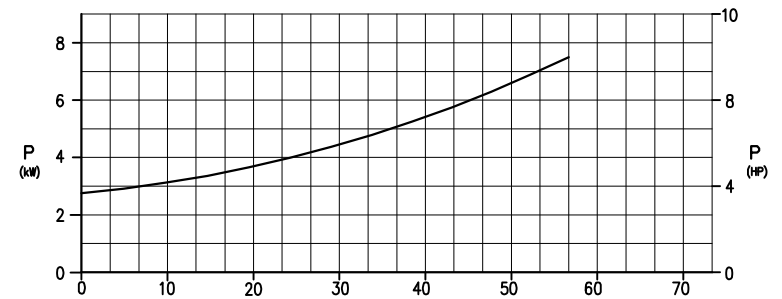
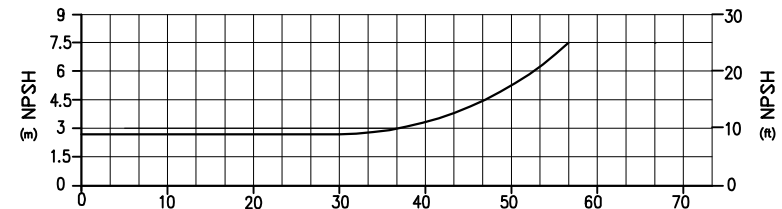
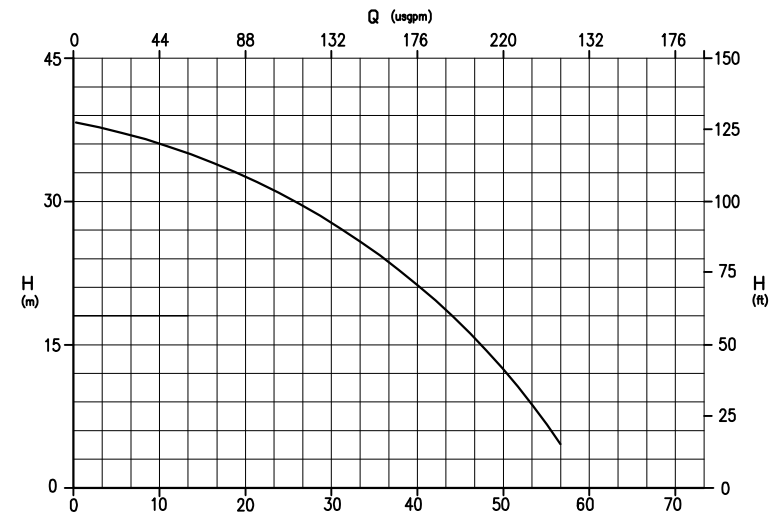
\* Different according to the manufacturer / Diverso a seconda del fornitore



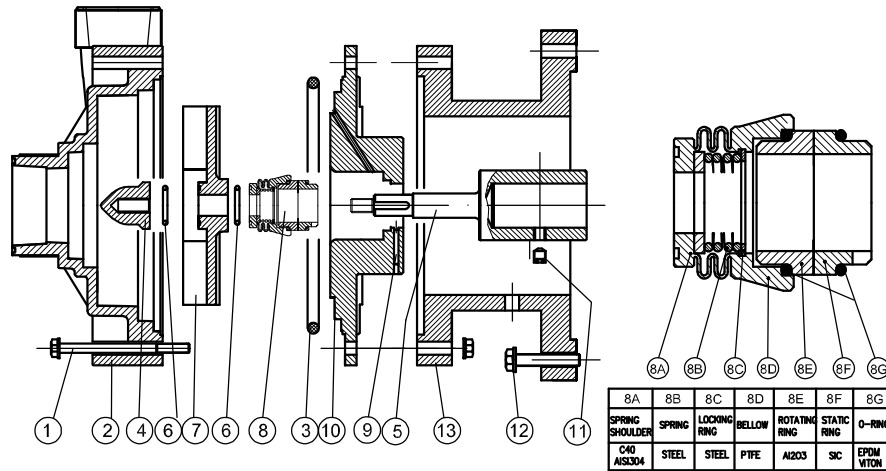
**FEATURES/CARATTERISTICHE**

Materials available/Materiali disponibili:	PP-PVDF
Max flow/Portata massima:	58 m <sup>3</sup> /h
Max head/Prevalenza massima:	38 m
Max temperature/Temperatura massima:	PP 60°C/PVDF 90°C
Max viscosity/Viscosità massima:	200 cSt
Pressure rating/Pressione nominale massima:	NP/PN 6 @ 20°C
Seal/Tenuta:	Internal PTFE bellows mechanical seal/Tenuta meccanica interna con soffiello in PTFE

**CURVES/CURVE 50HZ-2900 RPM**



**SECTION AND PARTS LIST/SEZIONE E LISTA PARTI**

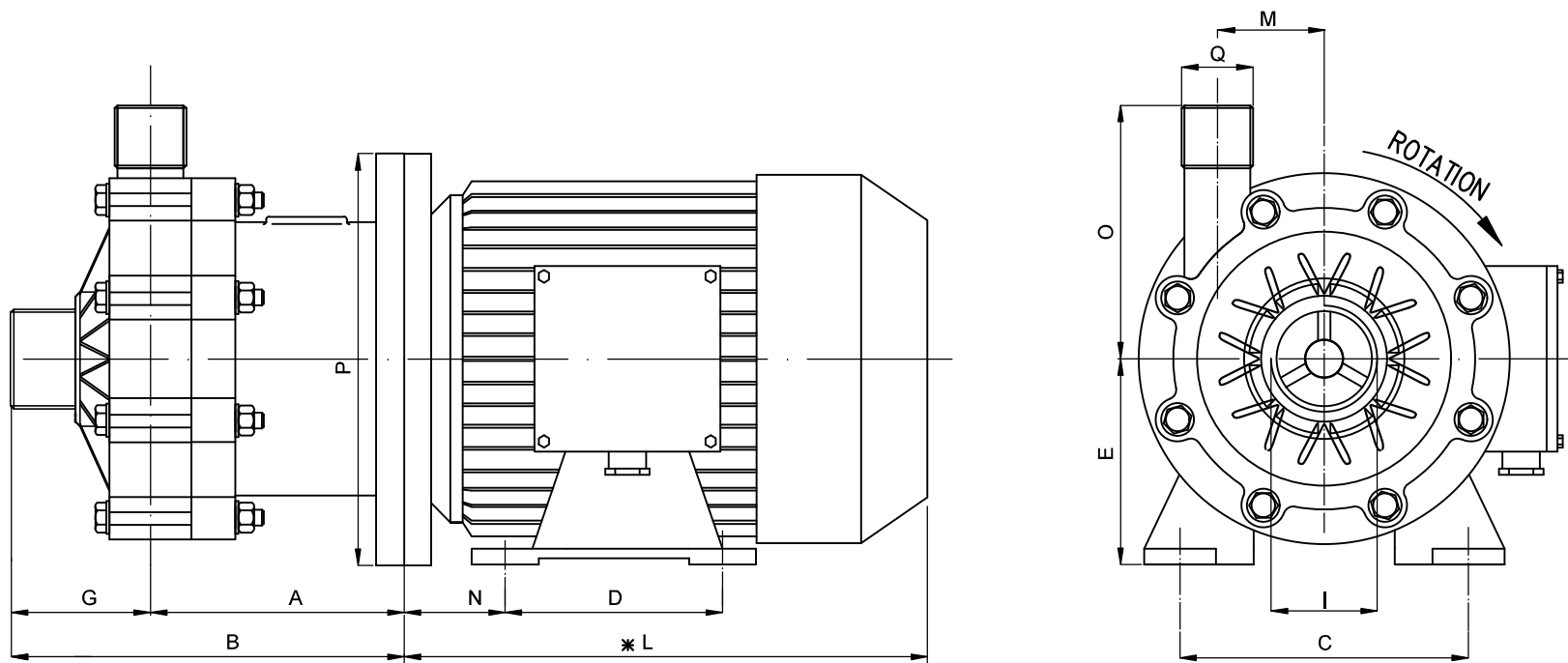


POS.	1	2	3	4	5	6	7	8	9	10	11	12	13
PART DESCR.	SET SCREWS	PUMP HEAD	O-RING	IMPELLER NUT	SHAFT	O-RING	IMPELLER	MECHANICAL SEAL	PIN	COVER	GRUB SCREW	SET SCREWS	BRACKET
MAT.	AISI304	PP+GF PVDF+CF	EPDM VITON	PP-PVDF	C40 AISI316	EPDM VITON	PP-PVDF	●	AISI304	PP+GF PVDF+CF	AISI304	AISI304	PP

Q (m<sup>3</sup>/h)

All data stated are an indication and are liable to change without notice / Tutti i dati sono indicativi e possono variare senza preavviso

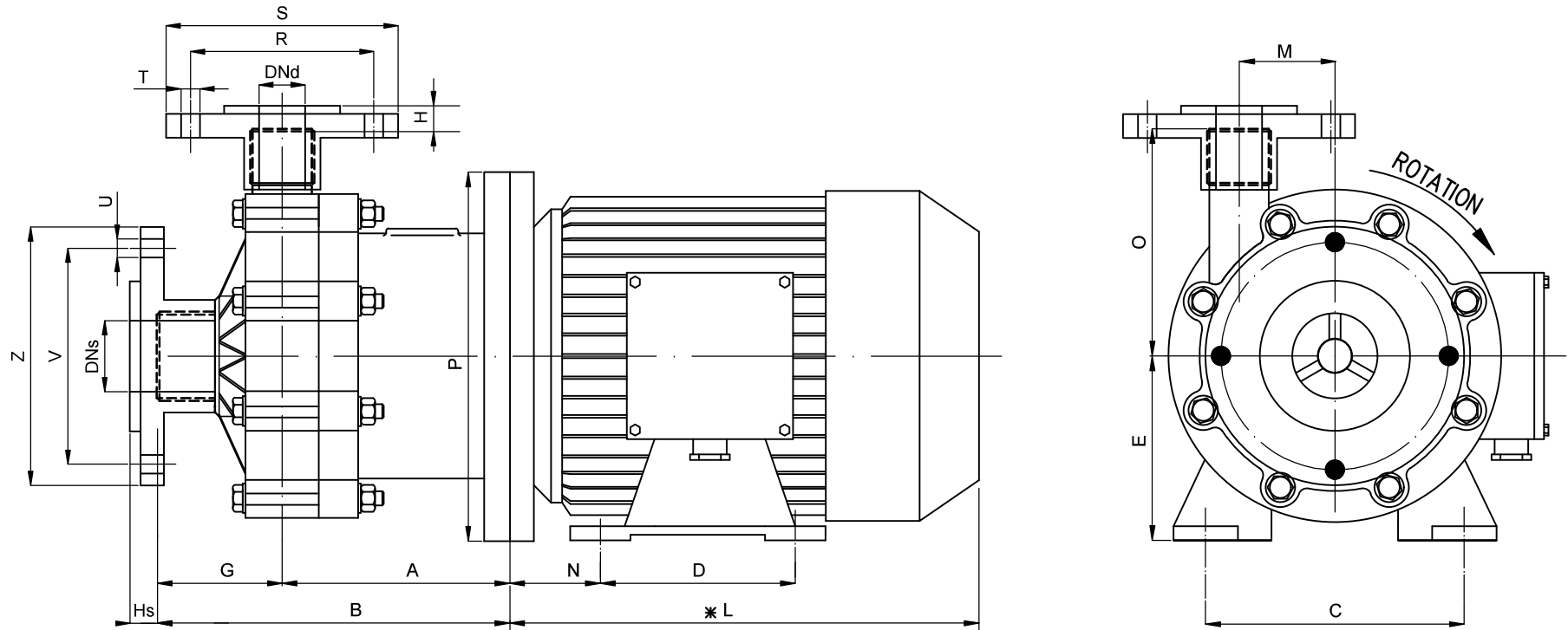
**DIMENSIONS/DIMENSIONI D'INGOMBRO**



PUMP TYPE	MOTOR FLANGE B3-B5	POT. Kw	DIMENSIONS - mm -												
			A	B	C	D	E	G	I	*L	M	N	O	P	Q
HCO 170	132 SB	7.5	184	275	216	140	132	91	3" MALE	380	82.5	89	170	300	2 1/2" MALE
HCO 170	132 MA	9.2	184	275	216	178	132	91	3" MALE	418	82.5	89	170	300	2 1/2" MALE

\* Different according to the manufacturer / Diverso a seconda del fornitore  
 \*\* OPTIONAL-UPON REQUEST/SU RICHIESTA: Flanges/Flange

DIMENSIONS/DIMENSIONI D'INGOMBRO



PUMP TYPE	MOTOR FLANGE B3-B5	POT. Kw	DIMENSIONS - mm -											FLANGES DIN PN 10-DIMENSIONS - mm -									
			A	B	C	D	E	Hs	G	H	*L	M	N	O	P	R	S	T	U	V	Z	DNs	DNd
HCO 170	132 SB	7.5	184	275	216	140	132	10	91	10	380	82.5	89	170	300	145	188	18	18	160	203	80	65
HCO 170	132 MA	9.2	184	275	216	178	132	10	91	10	418	82.5	89	170	300	145	188	18	18	160	203	80	65

\* Different according to the manufacturer / Diverso a seconda del fornitore