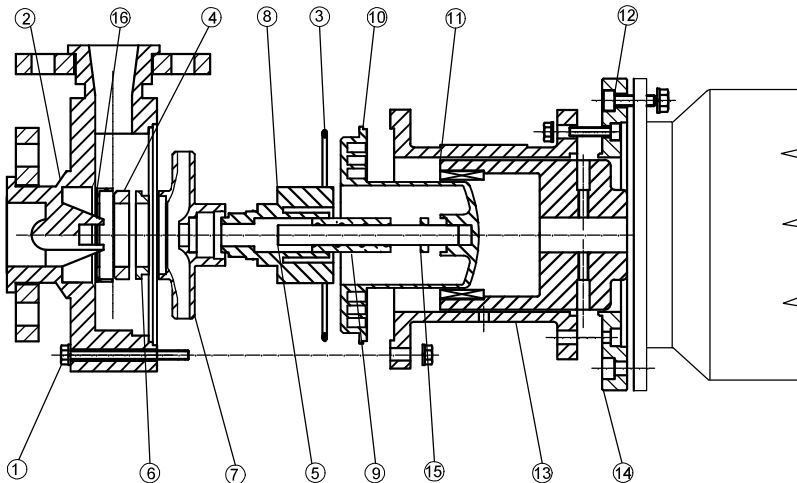


FEATURES/CARATTERISTICHE

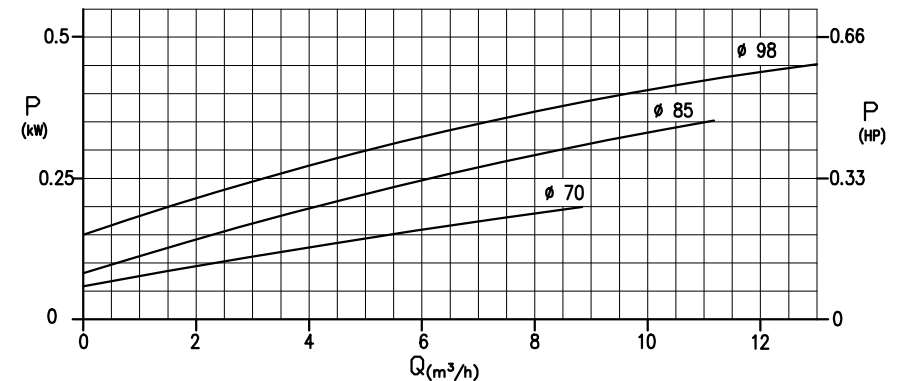
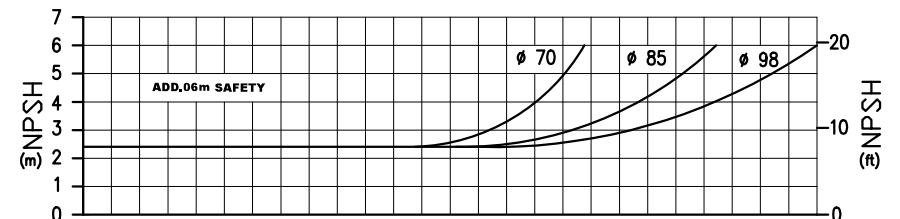
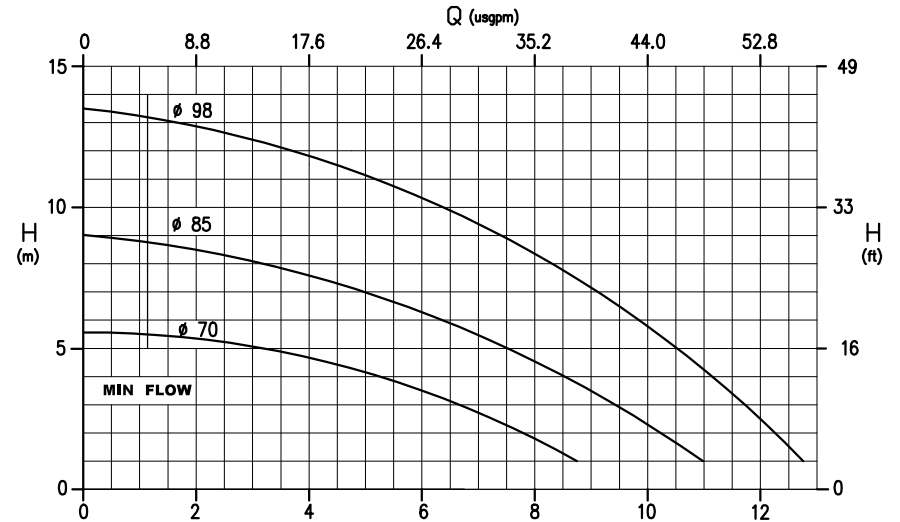
Materials available/Materiali disponibili:	PP;PVDF
Max flow/Portata massima:	13 m ³ /h
Max head/Prevalenza massima:	14 m
Max temperature/Temperatura massima:	PP 60°C;PVDF 90°C
Max viscosity/Viscosità massima:	200 cSt
Pressure rating/Pressione nominale massima:	NP/PN 6 @ 20°C
Pump weight/Peso pompa:	PP: 3.0 Kg;PVDF: 3.5 Kg
Motor weight/Peso motore (approx.):	0.55kW: 6.3 Kg

SECTION AND PARTS LIST/SEZIONE E LISTA PARTI

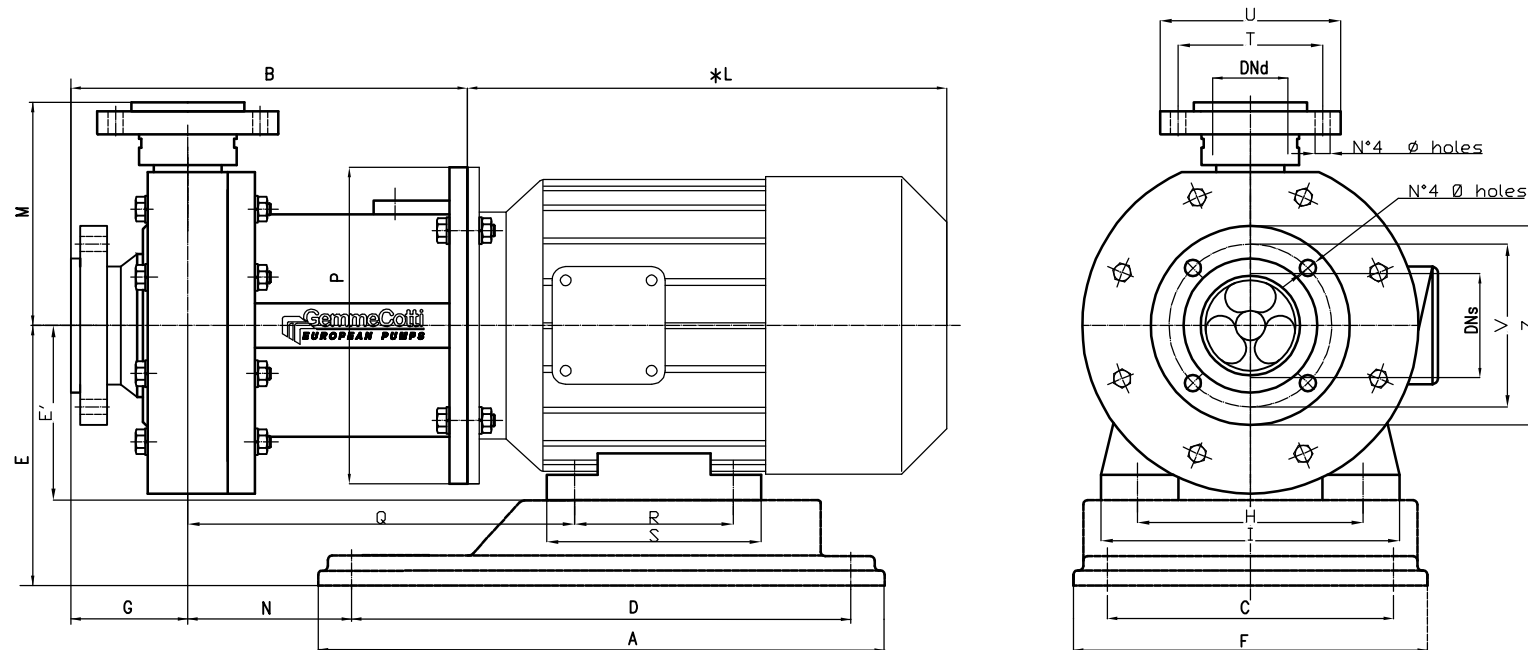


POS.	1	2	3	4	5	6	7	8	9	10	11	12	13	14	15	16
PART DESCR.	SET SCREWS	PUMP HEAD	O-RING	STATIC RING	SHAFT	ROTATING RING	IMPELLER	INT. MAGNET	INT. MAGNET RING	REAR CASING	EXT. MAGNET	SET SCREWS	BRACKET	CONNECTION FLANGE	REAR RING	GLOVE
MATERIALS	AISI304	PP PVDF	EPDM VITON	Al2O3	Al2O3	PTFEC	PP PVDF	PP PVDF NdFeB	PTFEC	PP+GF PVDF+CF	AVP NdFeB	AISI304	Cast Iron Aluminium	AISI304	Al2O3	EPDM VITON

CURVES/CURVE 50HZ-2900 RPM



All data stated are an indication and are liable to change without notice / Tutti i dati sono indicativi e possono variare senza preavviso



Base plate and motor as option – quoted under request with separated price
 Piede d'appoggio e motore opzionali – prezzo quotato a parte su richiesta

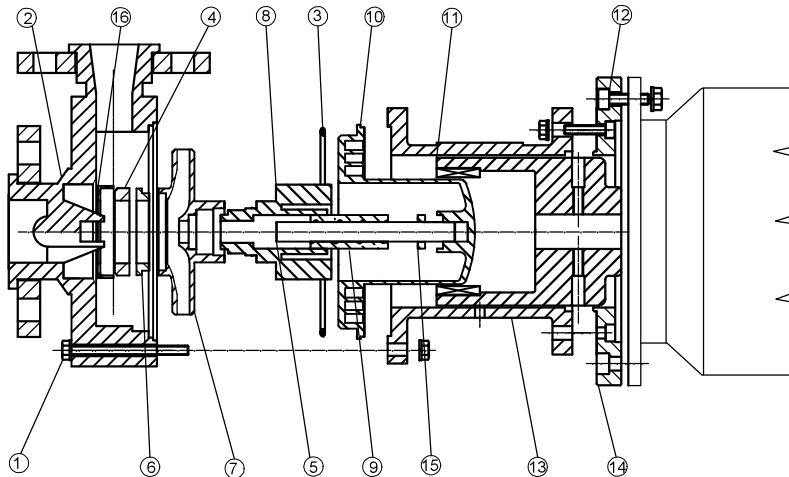
PUMP TYPE	MOTOR FLANGE B3-B5	POT. Kw	DIMENSIONS – mm –																	FLANGES DIN PN10 – DIMENSIONS – mm						
			A	B	C	D	E	E'	F	G	H	I	*L	M	N	P	Q	R	S	T	U	V	Z	DNs	DNd	Ø holes
HCM 32-25	G 71	0.55	280	187	130	244	119	71	160	75	112	140	260	115	45	158.5	157	90	110	85	117	100	143	32	25	14

* Different according to the manufacturer / Diverso a seconda del fornitore
 ** Threaded version not available / Versione filettata non disponibile

FEATURES/CARATTERISTICHE

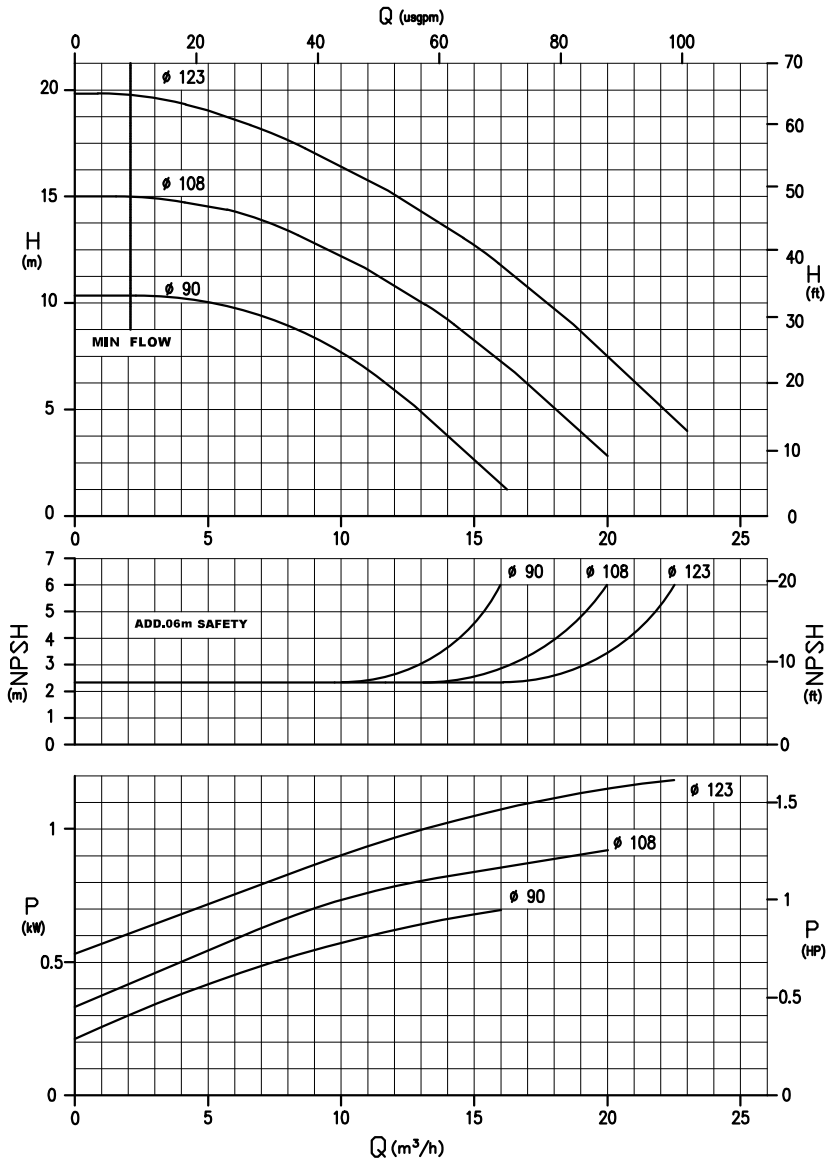
Materials available/Materiali disponibili:	PP;PVDF
Max flow/Portata massima:	23 m ³ /h
Max head/Prevalenza massima:	20 m
Max temperature/Temperatura massima:	PP 60°C;PVDF 90°C
Max viscosity/Viscosità massima:	200 cSt
Pressure rating/Pressione nominale massima:	NP/PN 6 @ 20°C
Pump weight/Peso pompa:	PP: 7.0 Kg;PVDF: 8.0 Kg
Motor weight/Peso motore (approx.):	1.1 kW: 9 Kg; 1.5 kW: 13 Kg

SECTION AND PARTS LIST/SEZIONE E LISTA PARTI

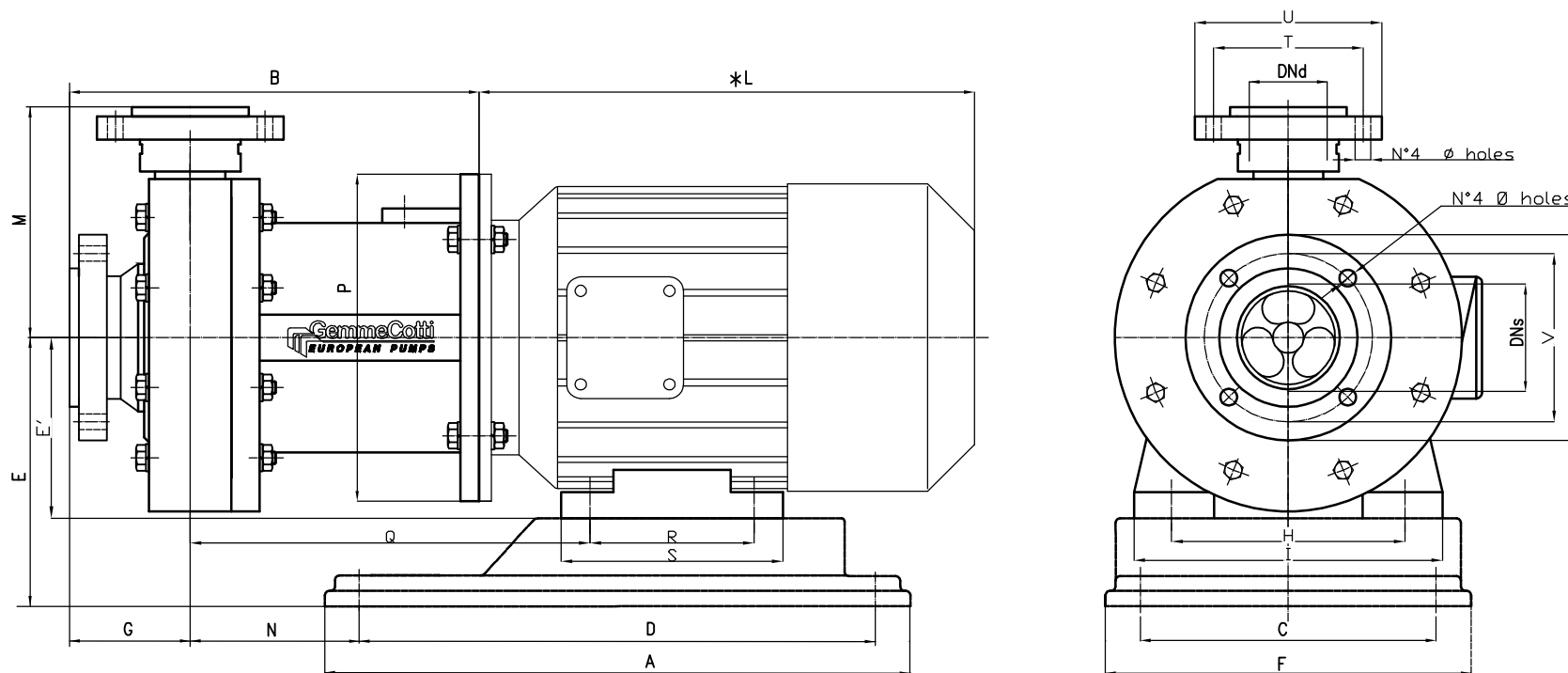


POS.	1	2	3	4	5	6	7	8	9	10	11	12	13	14	15	16
PART DESCR.	SET SCREWS	PUMP HEAD	O-RING	STATIC RING	SHAFT	ROTATING RING	IMPELLER	INT. MAGNET	INT. MAGNET RING	REAR CASING	EXT. MAGNET	SET SCREWS	BRACKET	CONNECTION FLANGE	REAR RING	GLOVE
MATERIALS	AISI304	PP PVDF	EPDM VITON	Al ₂ O ₃	Al ₂ O ₃	PTFEC	PP PVDF	PP PVDF NdFeB	PTFEC	PP+GF PVDF+CF	AVP NdFeB	AISI304	Cast Iron Aluminium	AISI304	Al ₂ O ₃	EPDM VITON

CURVES/CURVE 50HZ-2900 RPM



All data stated are an indication and are liable to change without notice / Tutti i dati sono indicativi e possono variare senza preavviso



Base plate and motor as option – quoted under request with separated price
 Piede d'appoggio e motore opzionali – prezzo quotato a parte su richiesta

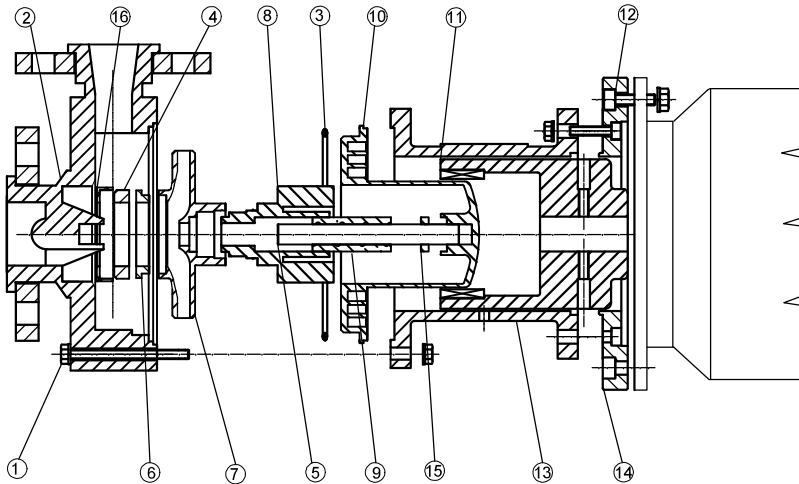
PUMP TYPE	MOTOR FLANGE B3-B5	POT. Kw	DIMENSIONS – mm –															FLANGES DIN PN10 – DIMENSIONS – mm							
			A	B	C	D	E	E'	F	G	H	I	*L	M	N	P	Q	R	S	T	U	V	Z	DNs	DNd
HCM 40-32	G 80	1.1	350	236	146	302	140	80	205	85	125	160	280	142	80	200	100	130	100	143	110	153	40	32	14
	G 90	1.5		246			150	90			140	170					84	216							

* Different according to the manufacturer / Diverso a seconda del fornitore
 ** Threaded version not available / Versione filettata non disponibile

FEATURES/CARATTERISTICHE

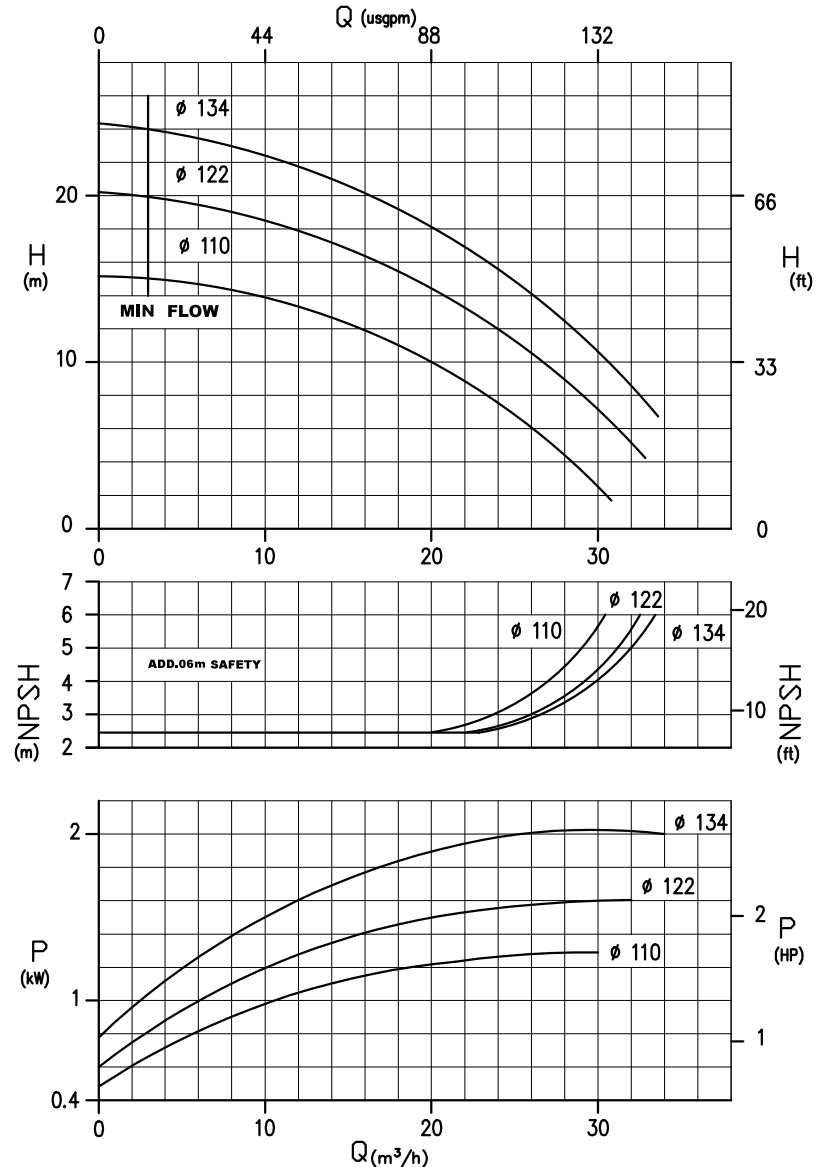
Materials available/Materiali disponibili:	PP;PVDF
Max flow/Portata massima:	35 m ³ /h
Max head/Prevalenza massima:	24 m
Max temperature/Temperatura massima:	PP 60°C;PVDF 90°C
Max viscosity/Viscosità massima:	200 cSt
Pressure rating/Pressione nominale massima:	NP/PN 6 @ 20°C
Pump weight/Peso pompa:	PP: 10 Kg;PVDF: 11 Kg
Motor weight/Peso motore (approx.):	2.2 kW: 13 Kg; 3.0 kW: 23 Kg

SECTION AND PARTS LIST/SEZIONE E LISTA PARTI

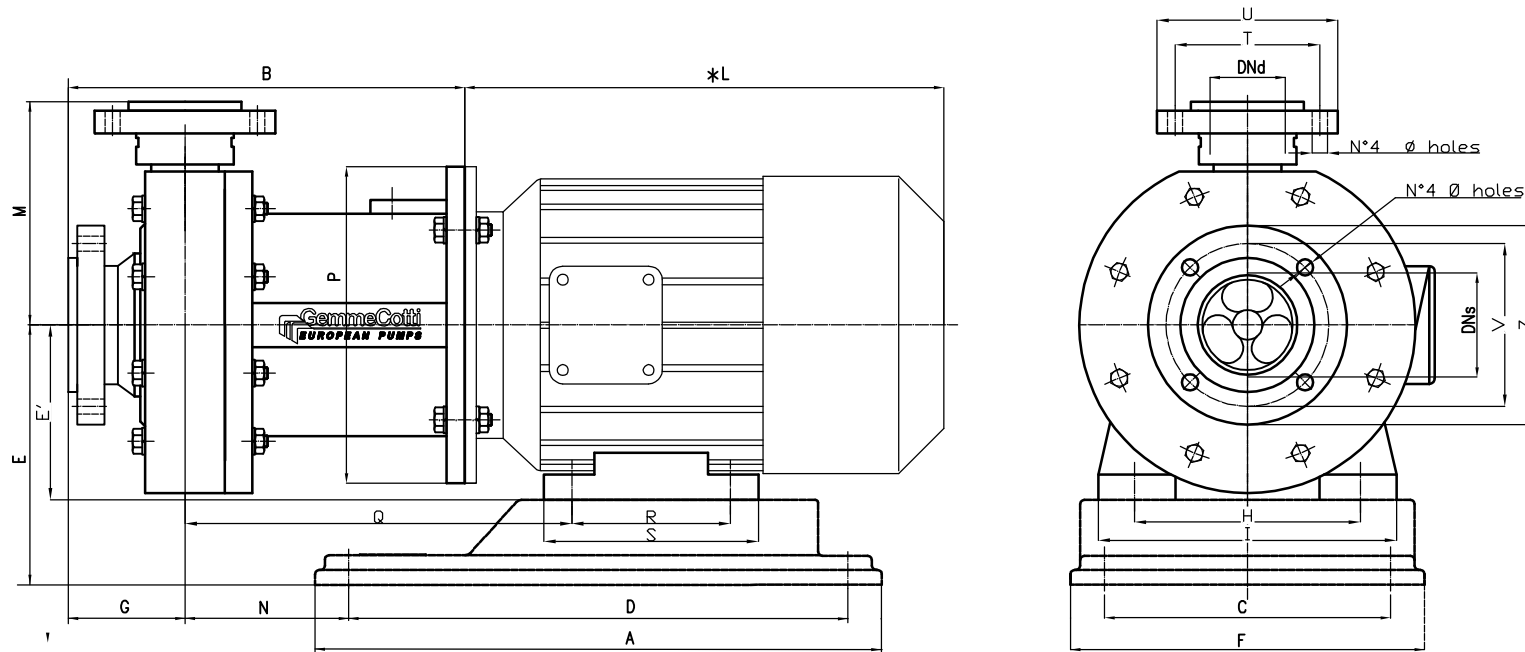


POS.	1	2	3	4	5	6	7	8	9	10	11	12	13	14	15	16
PART DESCR.	SET SCREWS	PUMP HEAD	O-RING	STATIC RING	SHAFT	ROTATING RING	IMPELLER	INT. MAGNET	INT. MAGNET RING	REAR CASING	EXT. MAGNET	SET SCREWS	BRACKET	CONNECTION FLANGE	REAR RING	GLOVE
MATERIALS	AISI304	PP PVDF	EPDM VITON	Al ₂ O ₃	Al ₂ O ₃	PTFEC	PP PVDF	PP PVDF NdFeB	PTFEC	PP+GF PVDF+CF	AVP NdFeB	AISI304	Cast Iron Aluminium	AISI304	Al ₂ O ₃	EPDM VITON

CURVES/CURVE 50HZ-2900 RPM



All data stated are an indication and are liable to change without notice / Tutti i dati sono indicativi e possono variare senza preavviso



Base plate and motor as option – quoted under request with separated price
 Piede d'appoggio e motore opzionali – prezzo quotato a parte su richiesta

PUMP TYPE	MOTOR FLANGE B3-B5	POT. Kw	DIMENSIONS – mm –																	FLANGES DIN PN10 – DIMENSIONS – mm						
			A	B	C	D	E	E'	F	G	H	I	*L	M	N	P	Q	R	S	T	U	V	Z	DNs	DNd	Ø holes
HCM 50-40	G 90	2.2	350	268	146	302	150	90	205	84	140	180	280	149	108	200	240	125	160	110	153	125	168	50	40	18
	G 100	3	400		202	352	160	100	250		160	200	316		127	250	267	140	182							

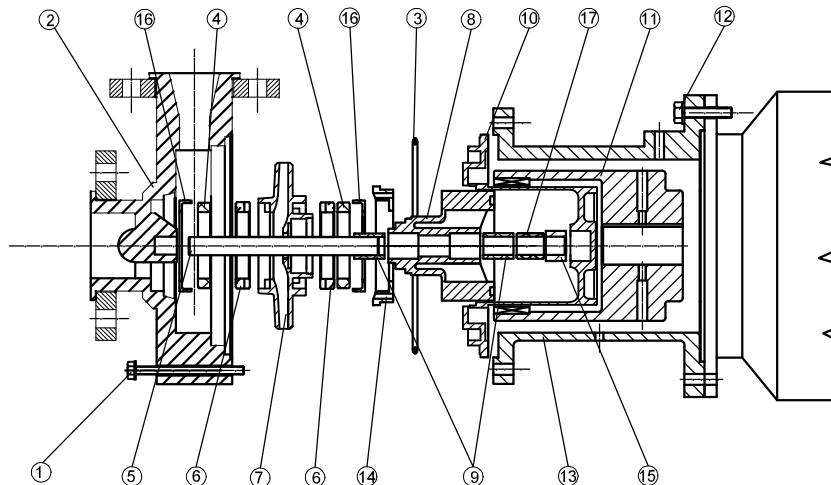
* Different according to the manufacturer / Diverso a seconda del fornitore
 *** Threaded version not available / Versione filettata non disponibile

All data stated are an indication and are liable to change without notice / Tutti i dati sono indicativi e possono variare senza preavviso

FEATURES/CARATTERISTICHE

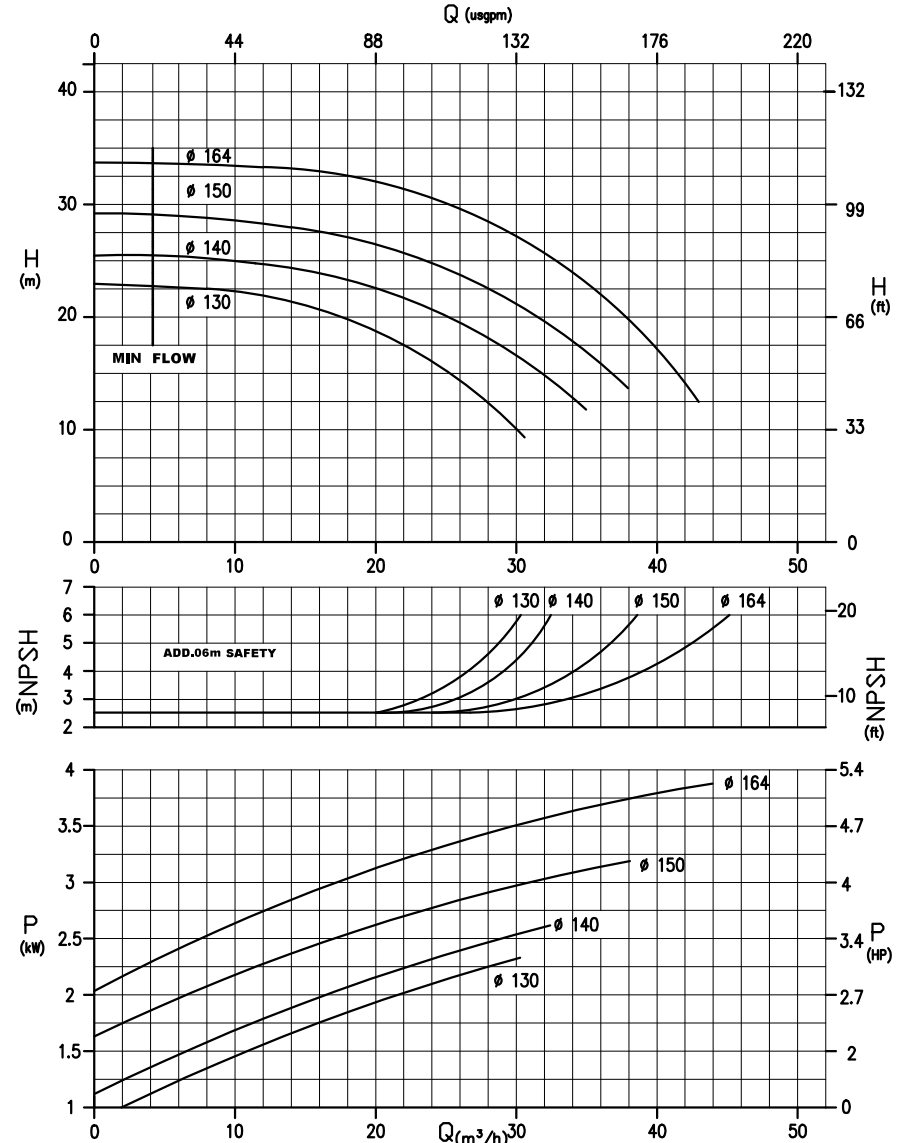
Materials available/Materiali disponibili:	PP;PVDF
Max flow/Portata massima:	43 m ³ /h
Max head/Prevalenza massima:	33 m
Max temperature/Temperatura massima:	PP 60°C;PVDF 90°C
Max viscosity/Viscosità massima:	200 cSt
Pressure rating/Pressione nominale massima:	NP/PN 6 @ 20°C
Pump weight/Peso pompa:	PP: 37 Kg;PVDF: 41 Kg
Motor weight/Peso motore (approx.):	4 kW: 31 Kg

SECTION AND PARTS LIST/SEZIONE E LISTA PARTI

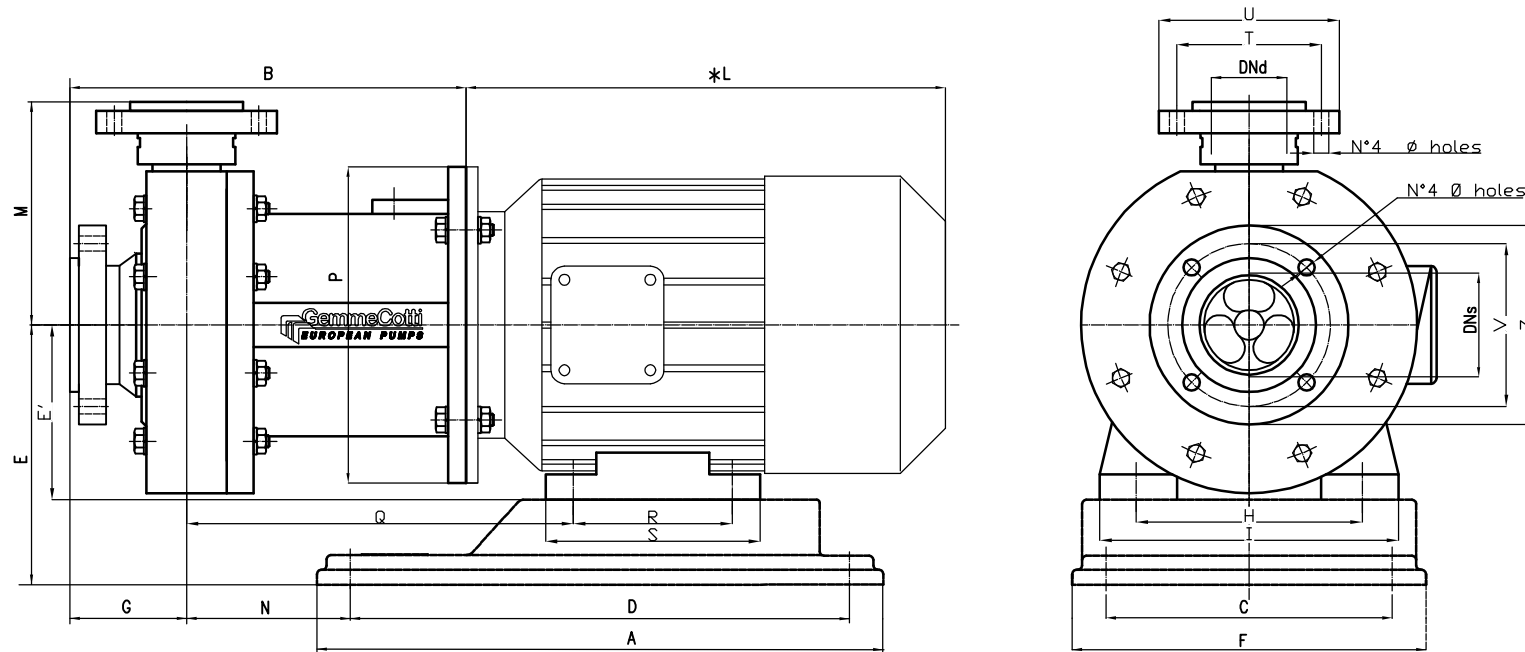


POS.	1	2	3	4	5	6	7	8	9	10	11	12	13	14	15	16	17
PART DESCR.	SET SCREWS	PUMP HEAD	O-RING	STATIC RING	SHAFT	ROTATING RING	IMPELLER	INT. MAGNET RING	INT. MAGNET RING	REAR CASING	EXT. MAGNET	SET SCREWS	BRACKET	FLANGE	REAR BEARING	GLOVE	BUSHING
MATERIALS	ALSI304	PP PVDF	EPDM VITON	Al ₂ O ₃	Al ₂ O ₃	PTFEC	PP PVDF	PP PVDF NdFeB	PTFEC	PP+GF PVDF+CF	AVP NdFeB	ALSI304	Cast Iron Aluminium	PP PVDF	PTFEC- 25% C	EPDM VITON	PTFEC

CURVES/CURVE 50HZ-2900 RPM



All data stated are an indication and are liable to change without notice / Tutti i dati sono indicativi e possono variare senza preavviso



Base plate and motor as option – quoted under request with separated price
Piede d'appoggio e motore opzionali – prezzo quotato a parte su richiesta

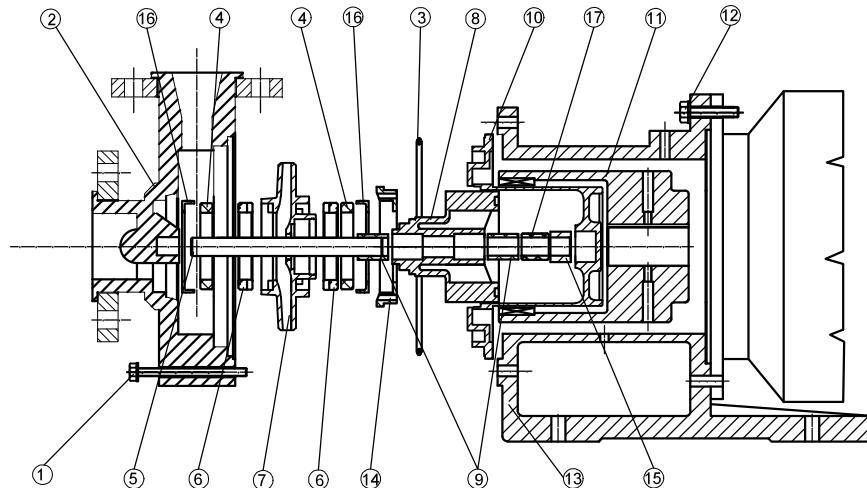
PUMP TYPE	MOTOR FLANGE B3-B5	POT. Kw	DIMENSIONS – mm –															FLANGES DIN PN10 – DIMENSIONS – mm								
			A	B	C	D	E	E'	F	G	H	I	*L	M	N	P	Q	R	S	T	U	V	Z	DNs	DNd	Ø holes
HCM 65-50-L	G 112	4	400	331	202	352	172	112	250	103	190	230	324	171	142	250	298	140	195	125	168	145	188	65	50	18

* Different according to the manufacturer / Diverso a seconda del fornitore
** Threaded version not available / Versione filettata non disponibile

FEATURES/CARATTERISTICHE

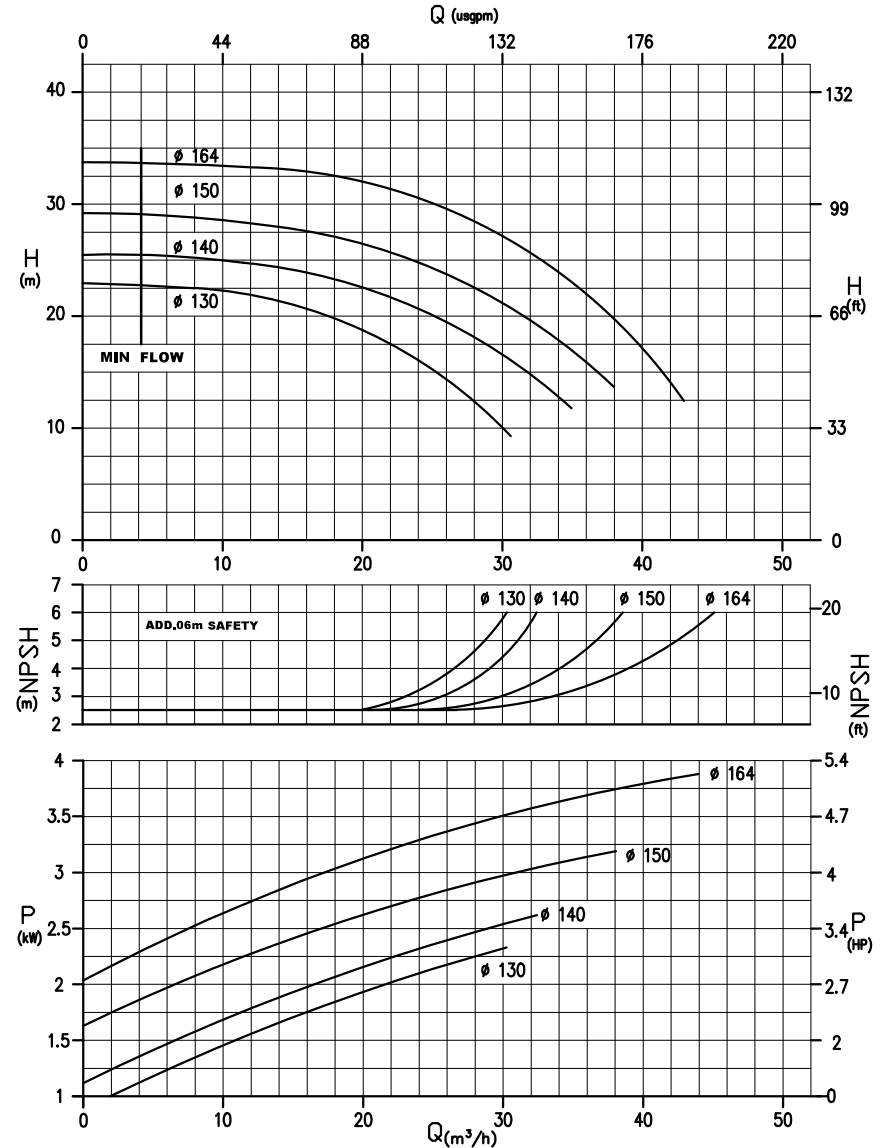
Materials available/Materiali disponibili:	PP;PVDF
Max flow/Portata massima:	43 m ³ /h
Max head/Prevalenza massima:	33 m
Max temperature/Temperatura massima:	PP 60°C;PVDF 90°C
Max viscosity/Viscosità massima:	200 cSt
Pressure rating/Pressione nominale massima:	NP/PN 6 @ 20°C
Pump weight/Peso pompa:	PP: 37 Kg;PVDF: 41 Kg
Motor weight/Peso motore (approx.):	5.5 kW: 39 Kg; 7.5 kW: 39 Kg; 9.0 kW: 60 Kg

SECTION AND PARTS LIST/SEZIONE E LISTA PARTI

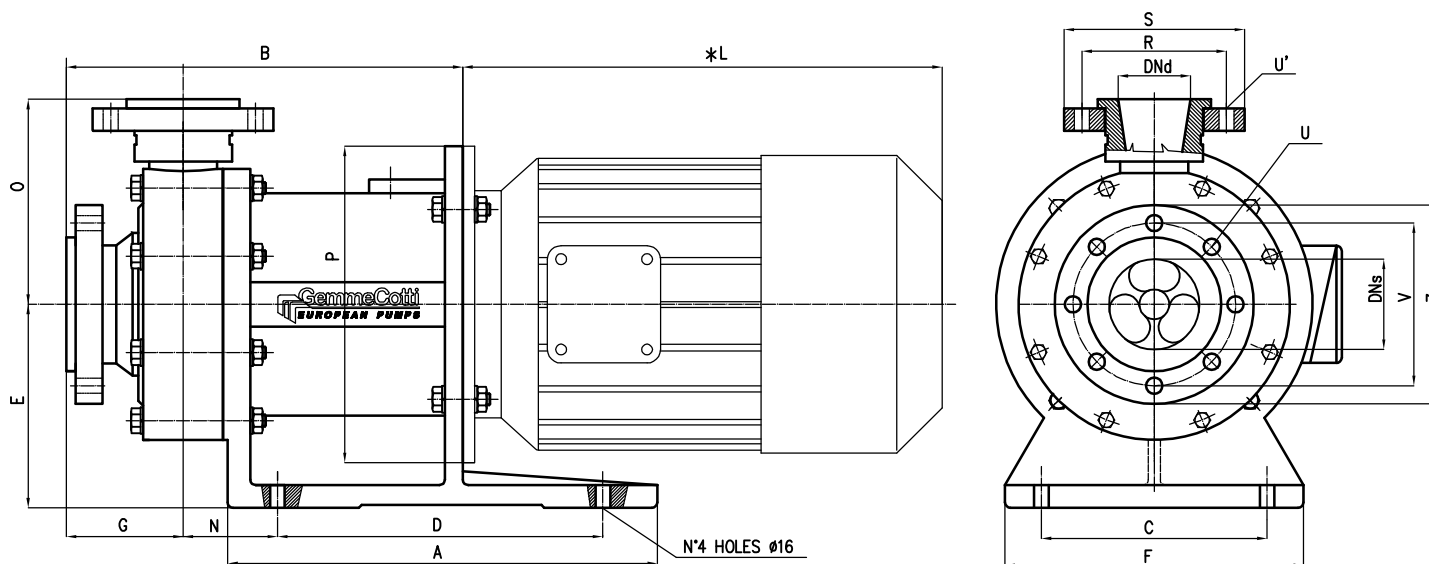


POS.	1	2	3	4	5	6	7	8	9	10	11	12	13	14	15	16	17
PART DESCR.	SET SCREWS	PUMP HEAD	O-RING	STATIC RING	SHAFT	ROTATING RING	IMPELLER	INT. MAGNET RING	INT. MAGNET RING	REAR CASING	EXT. MAGNET	SET SCREWS	BRACKET	FLANGE	REAR BEARING	GLOVE	BUSHING
MATERIALS	AlSi304	PP PVDF	EPDM VITON	Al ₂ O ₃	Al ₂ O ₃	PTFEC	PP PVDF	PP PVDF NdFeB	PTFEC	PP+GF PVDF+CF	AVP NdFeB	AlSi304	Cast Iron Aluminium	PP PVDF	PTFEC-25% C	EPDM VITON	PTFEC

CURVES/CURVE 50HZ-2900 RPM



All data stated are an indication and are liable to change without notice / Tutti i dati sono indicativi e possono variare senza preavviso



Motor as option – quoted under request with separated price

Motore opzionale – prezzo quotato a parte su richiesta

PUMP TYPE	MOTOR FLANGE B5	POT. Kw	DIMENSIONS - mm -											FLANGES DIN PN 10-DIMENSIONS - mm -							
			A	B	C	D	E	F	G	⌘L	N	O	P	R	S	U	U'	V	Z	DNs	DNd
HCM 65-50-H	G 132	5.5	365	351	216	250	192	274	103	383	98	171	300	125	168	n'4 fori Ø18	n'4 fori Ø18	145	188	65	50
	G 132	7.5								421											
	G 132	9								421											

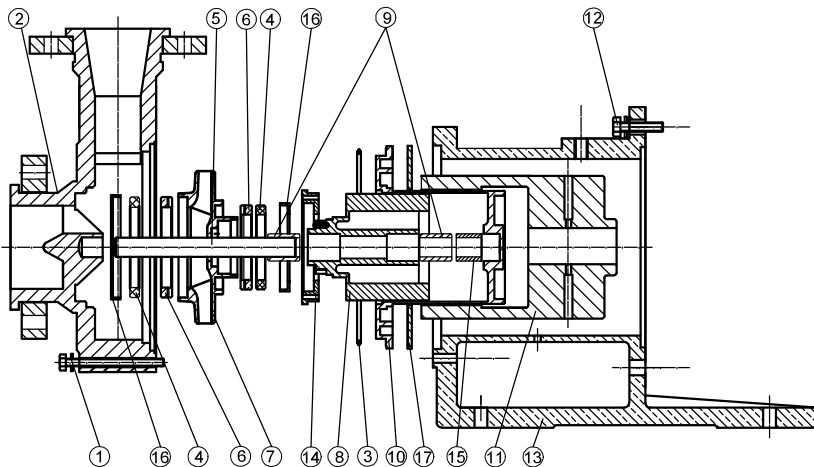
⌘ Different according to the manufacturer / Diverso a seconda del fornitore

All data stated are an indication and are liable to change without notice / Tutti i dati sono indicativi e possono variare senza preavviso

FEATURES/CARATTERISTICHE

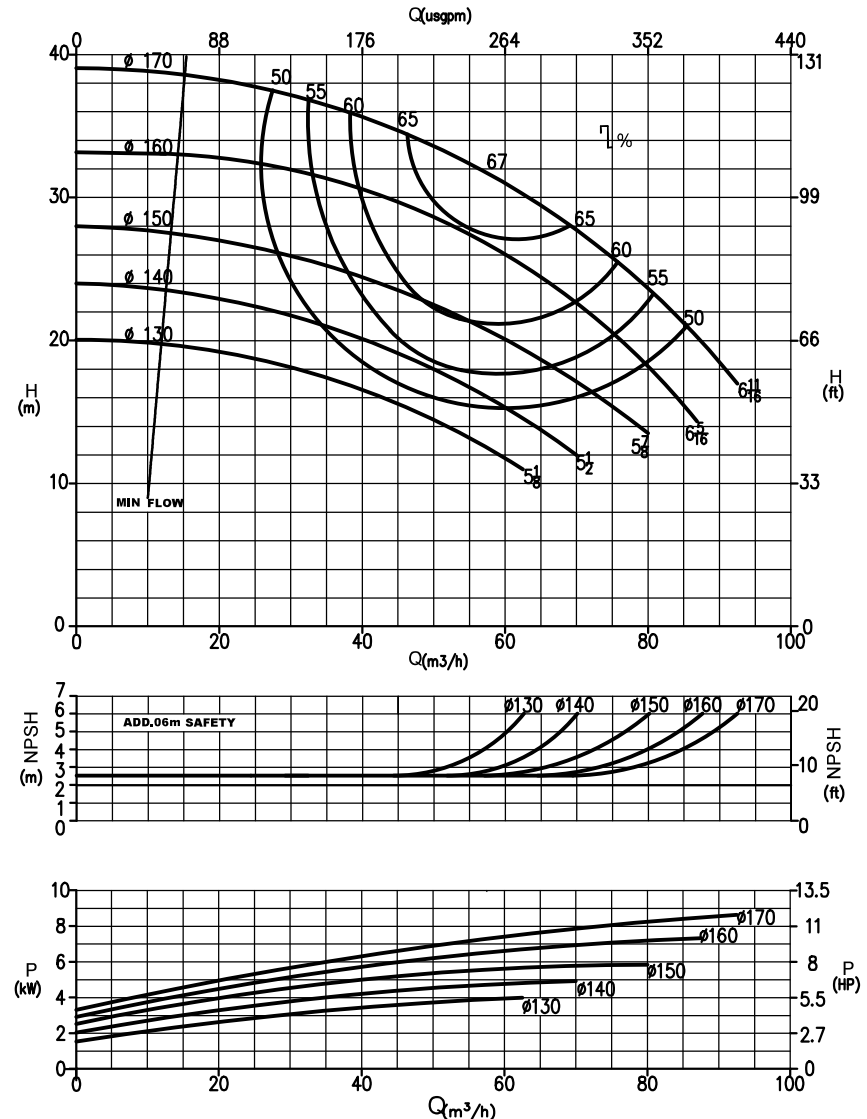
Materials available/Materiali disponibili:	PP;PVDF
Max flow/Portata massima:	92 m ³ /h
Max head/Prevalenza massima:	38 m
Max temperature/Temperatura massima:	PP 60°C;PVDF 90°C
Max viscosity/Viscosità massima:	200 cSt
Pressure rating/Pressione nominale massima:	NP/PN 6 @ 20°C
Pump weight/Peso pompa:	PP: 55 Kg;PVDF: 60 Kg
Motor weight/Peso motore (approx.):	7.5 kW: 39 Kg; 11.0 kW: 122 Kg; 15.0 kW: 133 Kg; 18.5 kW: 163 Kg

SECTION AND PARTS LIST/SEZIONE E LISTA PARTI

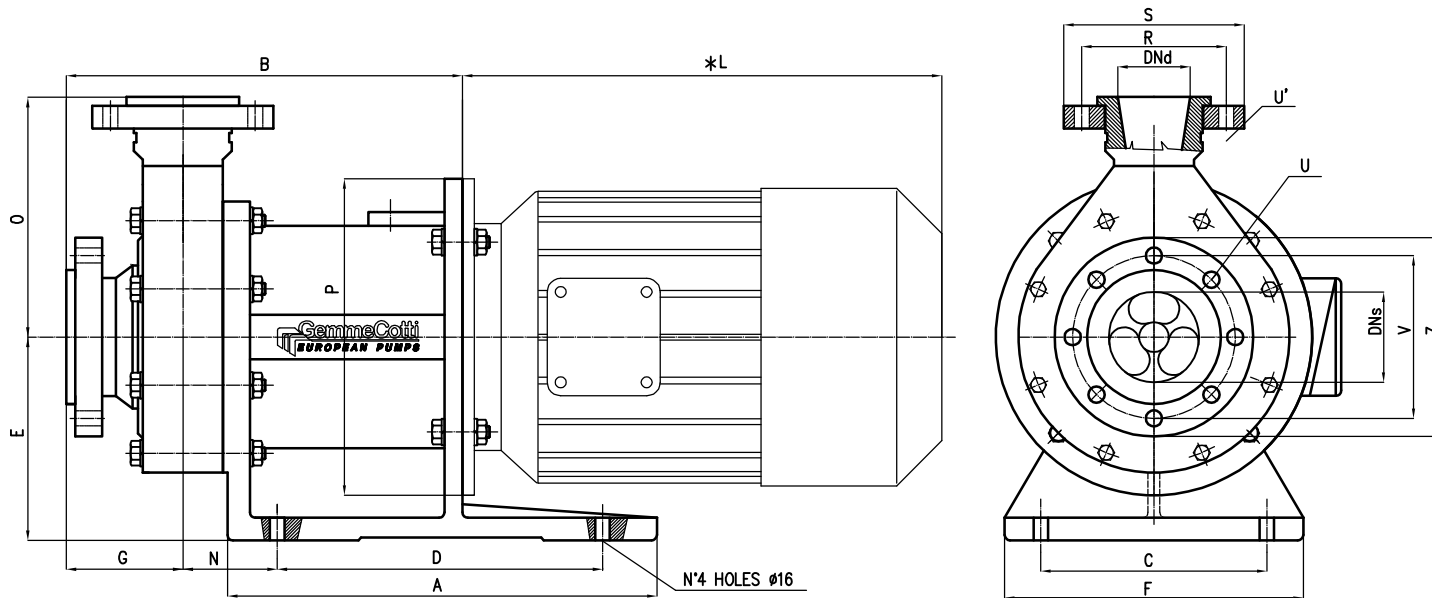


POS.	1	2	3	4	5	6	7	8	9	10	11	12	13	14	15	16	17
PART DESCR.	SET SCREWS	PUMP HEAD	O-RING	STATIC RING	SHAFT	ROTATING RING	IMPELLER	INT. MAGNET	INT. MAGNET RING	REAR CASING	EXT. MAGNET	SET SCREWS	BRACKET	FLANGE	REAR BEARING	GLOVE	RING
MATERIALS	AISI304	PP PVDF	EPDM VITON	Al ₂ O ₃	Al ₂ O ₃	PTFEC	PP PVDF	PP PVDF NdFeB	PTFEC	PP+GF PVDF+CF	AlP NdFeB	AISI304	Cast Iron Aluminium	PP PVDF	PTFEC-25% C	EPDM VITON	AISI 304 AISI 316

CURVES/CURVE 50HZ-2900 RPM



All data stated are an indication and are liable to change without notice / Tutti i dati sono indicativi e possono variare senza preavviso



Motor as option – quoted under request with separated price
 Motore opzionale – prezzo quotato a parte su richiesta

PUMP TYPE	MOTOR FLANGE B5	POT. Kw	DIMENSIONS - mm -											FLANGES DIN PN 10-DIMENSIONS - mm -							
			A	B	C	D	E	F	G	*L	N	O	P	R	S	U	U'	V	Z	DNs	DNd
HCM 80-65	G 132S2	7.5							421			300									
	G 160M2A	11	475	430	250	360	225	330	510	106	234	350	145	188	n°8 fori Ø18	n°4 fori Ø18	160	200	80	65	
	G 160M2B G 160L2	15 18.5							554												

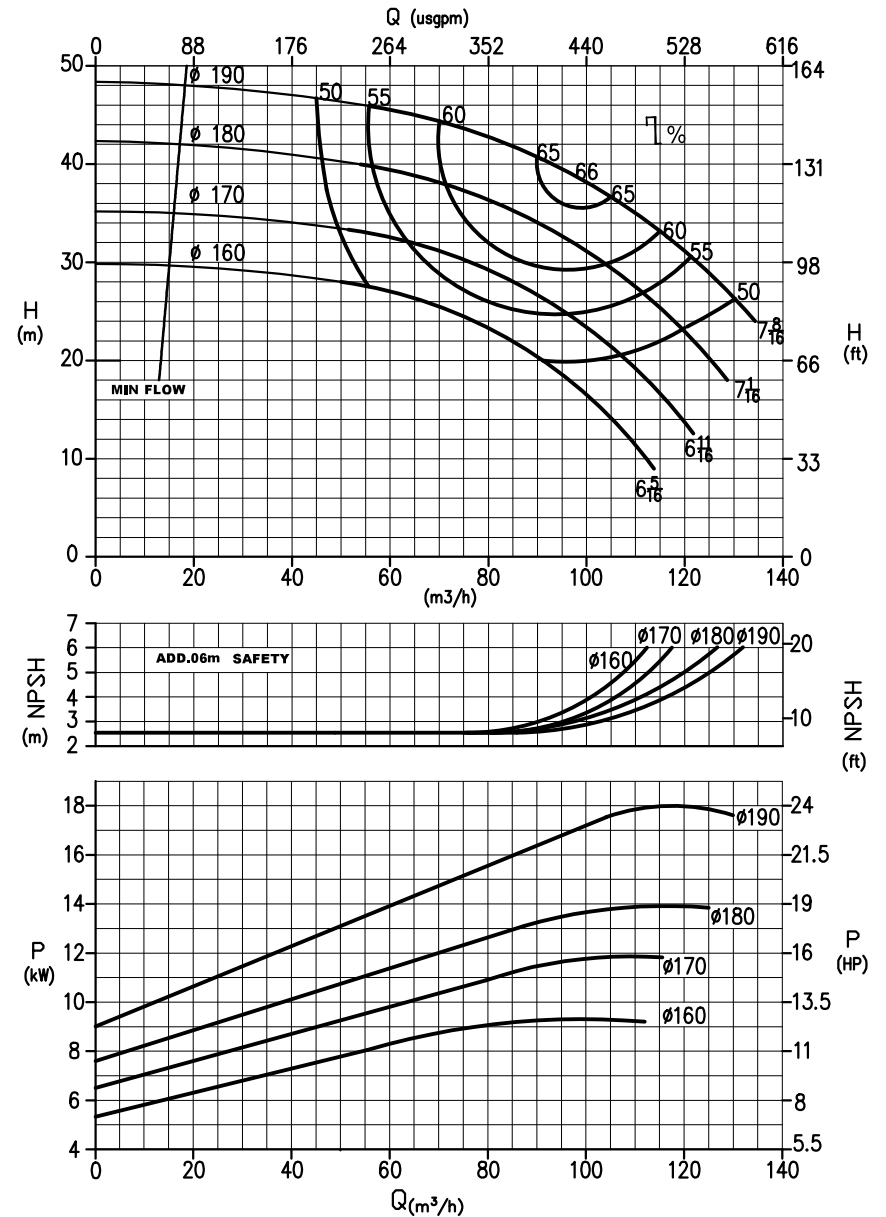
* Different according to the manufacturer / Diverso a seconda del fornitore

All data stated are an indication and are liable to change without notice / Tutti i dati sono indicativi e possono variare senza preavviso

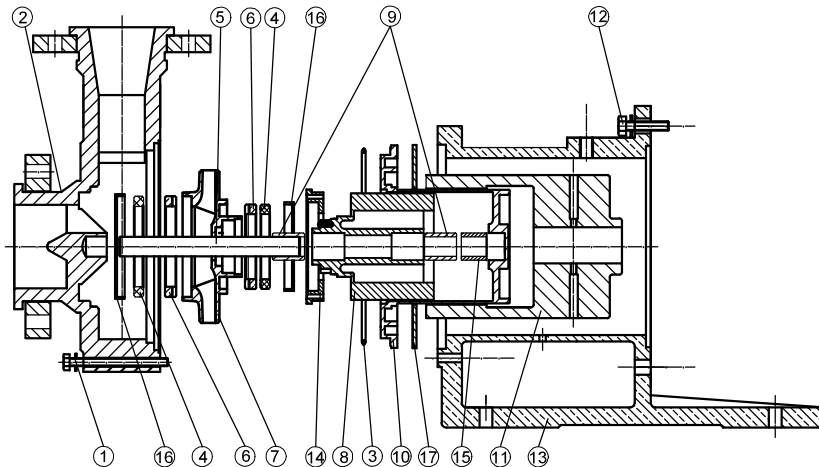
FEATURES/CARATTERISTICHE

Materials available/Materiali disponibili:	PP;PVDF
Max flow/Portata massima:	136 m ³ /h
Max head/Prevalenza massima:	48 m
Max temperature/Temperatura massima:	PP 60°C;PVDF 90°C
Max viscosity/Viscosità massima:	200 cSt
Pressure rating/Pressione nominale massima:	NP/PN 6 @ 20°C
Pump weight/Peso pompa:	PP: 60 Kg;PVDF: 65 Kg
Motor weight/Peso motore (approx.):	11.0 kW 122 Kg; 15.0 kW 133 Kg; 18.5 kW 163 Kg; 22.0 kW 190 Kg

CURVES/CURVE 50HZ-2900 RPM

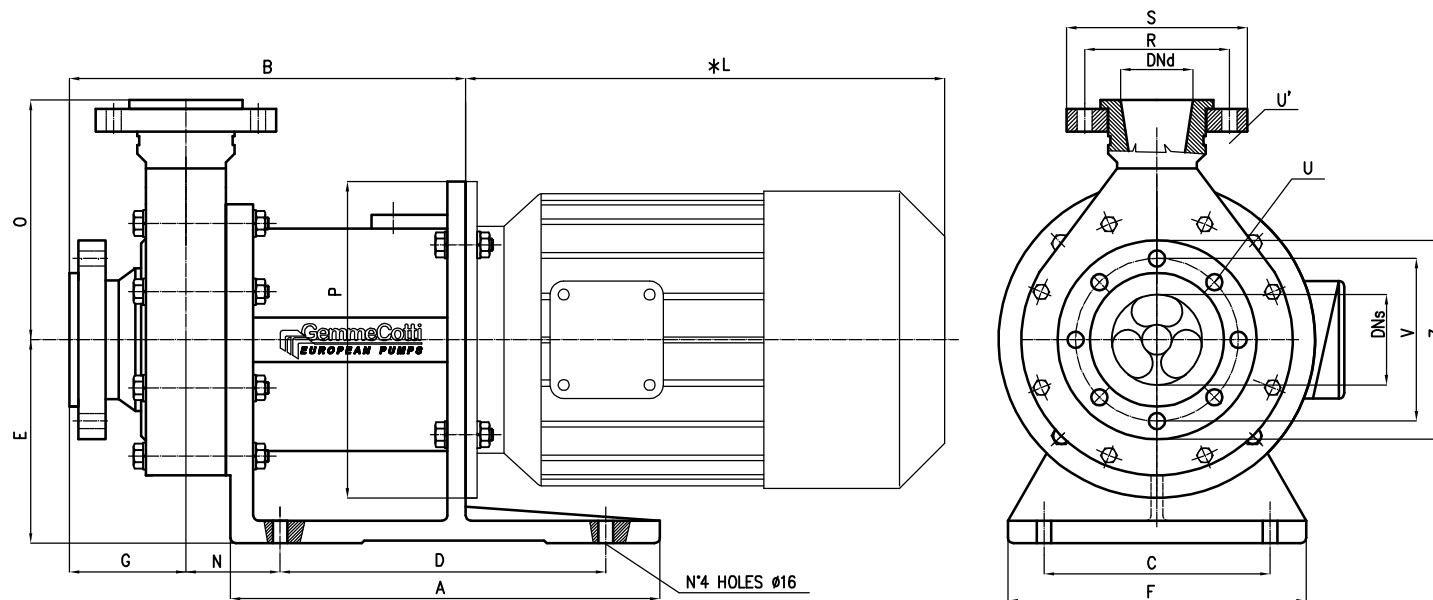


SECTION AND PARTS LIST/SEZIONE E LISTA PARTI



POS.	1	2	3	4	5	6	7	8	9	10	11	12	13	14	15	16	17
PART DESCR.	SET SCREWS	PUMP HEAD	O-RING	STATIC RING	SHAFT	ROTATING RING	IMPELLER	INT. MAGNET	INT. MAGNET RING	REAR CASING	EXT. MAGNET	SET SCREWS	BRACKET	FLANGE	REAR BEARING	GLOVE	RING
MATERIALS	AISI304	PP PVDF	EPDM VITON	Al ₂ O ₃	Al ₂ O ₃	PTFEC	PP PVDF	PP PVDF NdFeB	PTFEC	PP+CF PVDF+GF	AVP NdFeB	AISI304	Cast Iron Aluminium	PP PVDF	PTFEC- 25% C	EPDM VITON	AISI 304 AISI 316

All data stated are an indication and are liable to change without notice / Tutti i dati sono indicativi e possono variare senza preavviso



Motor as option – quoted under request with separated price
Motore opzionale – prezzo quotato a parte su richiesta

PUMP TYPE	MOTOR FLANGE B5	POT. Kw	DIMENSIONS - mm -											FLANGES DIN PN 10-DIMENSIONS - mm -							
			A	B	C	D	E	F	G	*L	N	O	P	R	S	U	U'	V	Z	DNs	DNd
HCM 100-80	G 160M2A	11	475	436	250	360	225	330	126	510	105	263	350	160	200	n°8 fori Ø18	n°8 fori Ø18	180	220	100	80
	G 160M2B	15								554											
	G 160L2	18.5								595											
	G 180M2	22																			

* Different according to the manufacturer / Diverso a seconda del fornitore

All data stated are an indication and are liable to change without notice / Tutti i dati sono indicativi e possono variare senza preavviso